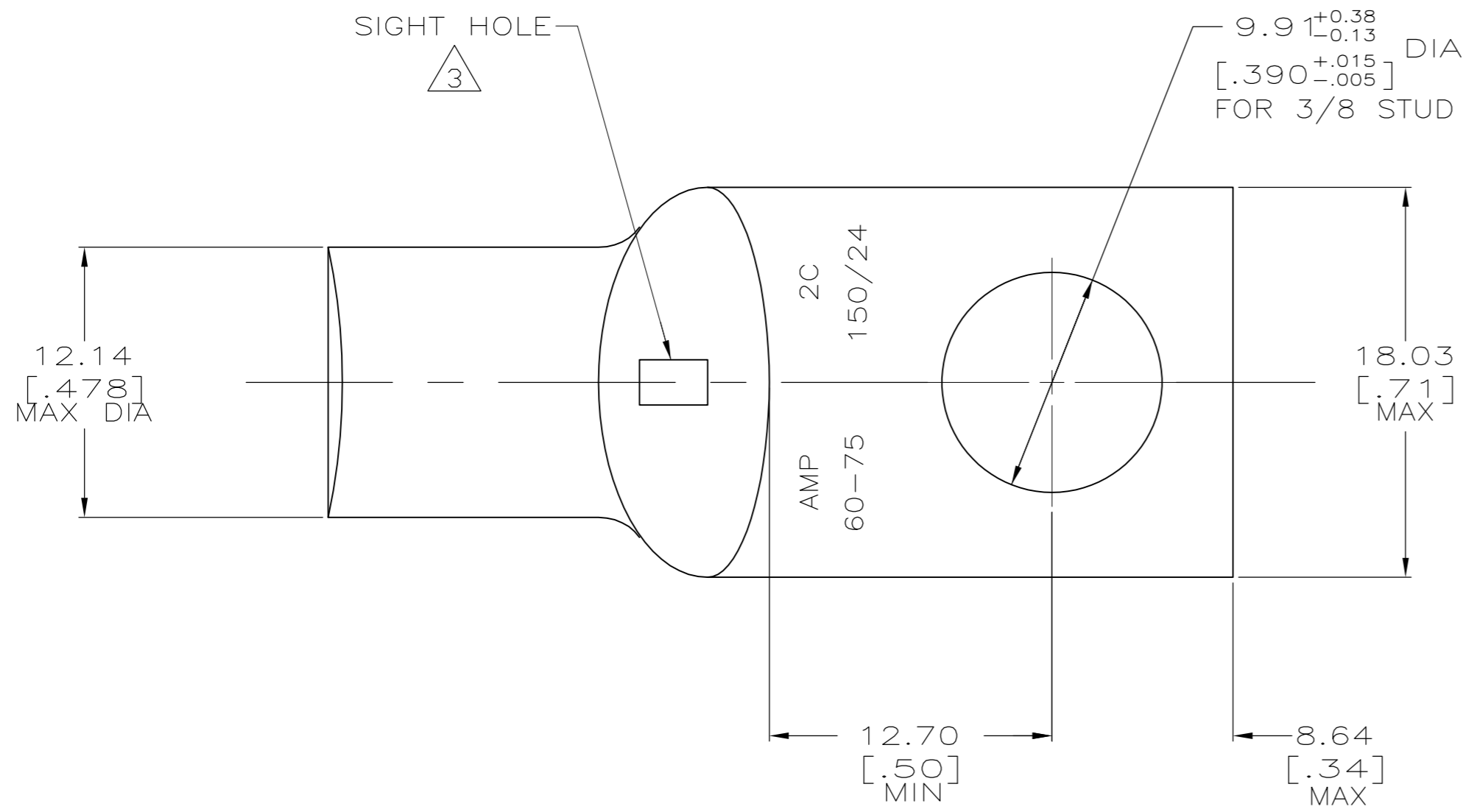
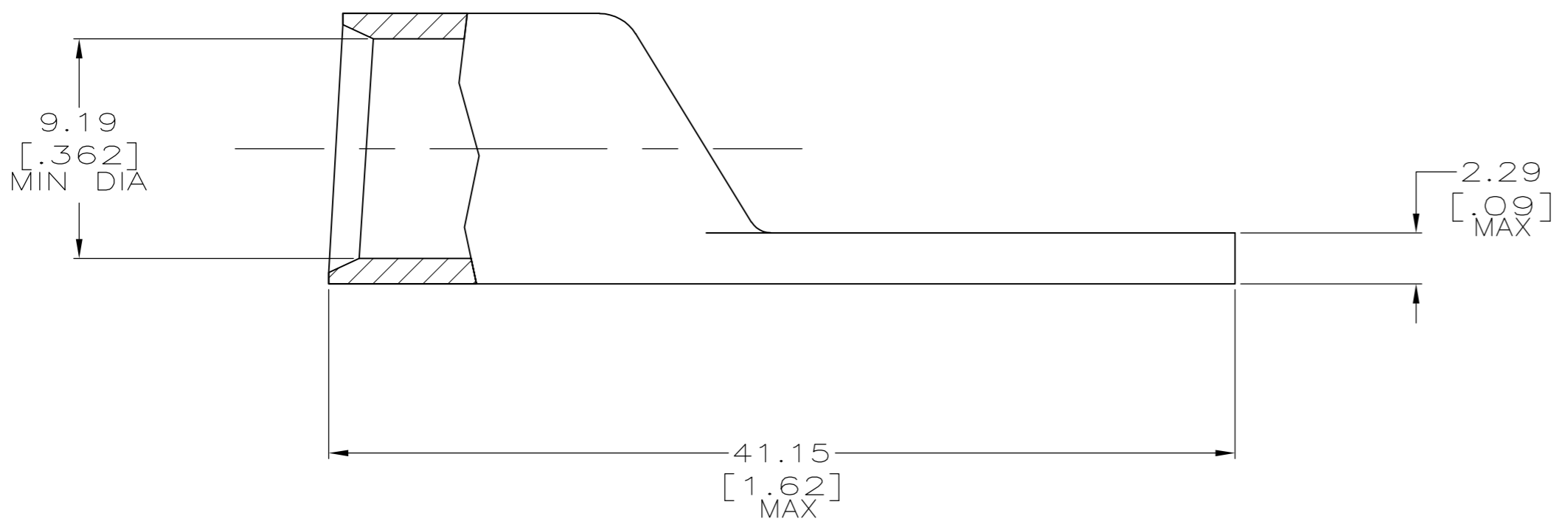


THIS DRAWING IS UNPUBLISHED. RELEASED FOR PUBLICATION
 © COPYRIGHT BY TYCO ELECTRONICS CORPORATION. ALL INTERNATIONAL RIGHTS RESERVED.

LOC	DIST	REVISIONS					
		P	LTR	DESCRIPTION	DATE	DWN	APVD
G	86						
		U1		REV PER ECR 09-016289	02SEPT09	JR	RL



- 1 CIRCULAR MIL AREA RANGE: 52,600-83,700 CM
- 2 TIN PL 0.00381[.000150] MIN THK PER ASTM B-545
- 3 SIGHT HOLE
- 4 PRELIMINARY - NOT FOR PRODUCTION



NONE	4 325203-3
REQUIRED	325203
3 SIGHT HOLE	PART NO.

THIS DRAWING IS A CONTROLLED DOCUMENT.		DWN DK SCHRUM 02/28/90	Tyco Electronics Corporation Harrisburg, PA 17105-3608	
DIMENSIONS: MM [INCHES]		CHK MS FEHER 18JAN95	NAME	
TOLERANCES UNLESS OTHERWISE SPECIFIED:		APVD WJ VOCKROTH 18JAN95	PRODUCT SPEC	
0 PLC ± -		108-30200		
1 PLC ± -		APPLICATION SPEC		
2 PLC ± 0.51[.020]		-		
3 PLC ± -		WEIGHT .024 LB		
4 PLC ± -		A2 00779 C=325203		
ANGLES ± -		SCALE 4:1 SHEET 1 of 1 REV U1		
FINISH - 2		CUSTOMER DRAWING		
MATERIAL ANNEALED COPPER		RESTRICTED TO -		

325203

Mouser Electronics

Authorized Distributor

Click to View Pricing, Inventory, Delivery & Lifecycle Information:

[TE Connectivity:](#)

[325203](#)