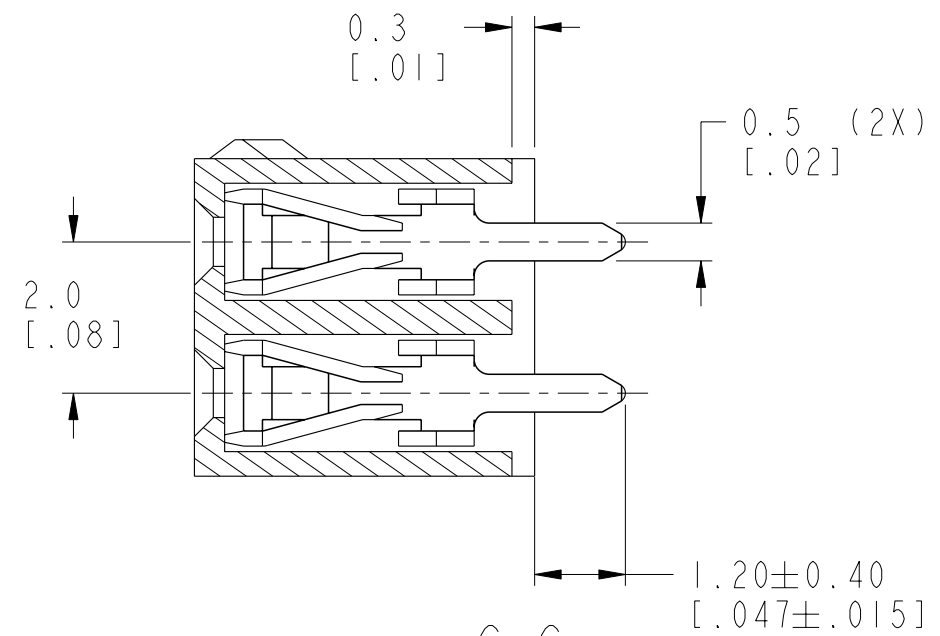
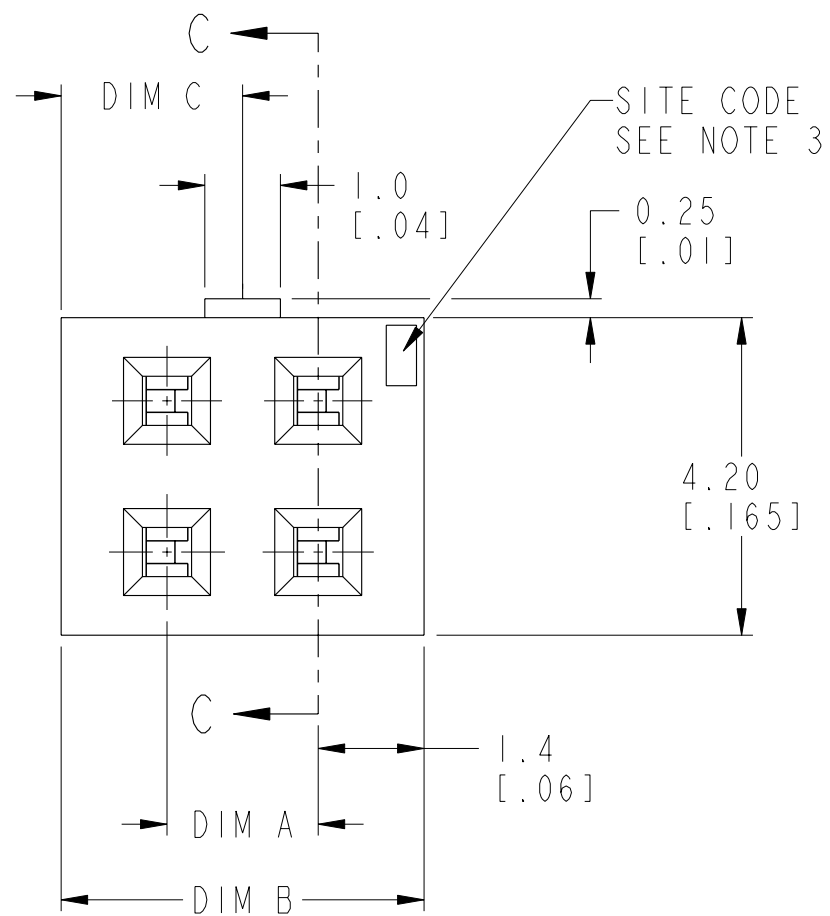


RECOMMENDED MOUNTING HOLE LAYOUT

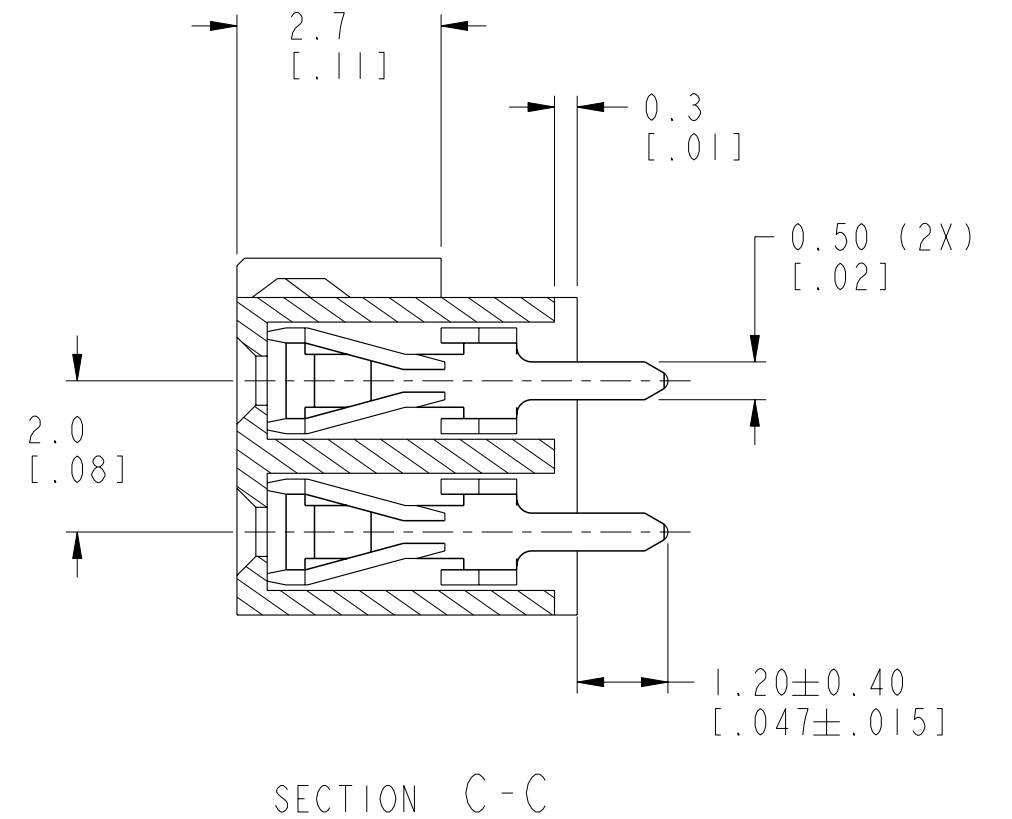
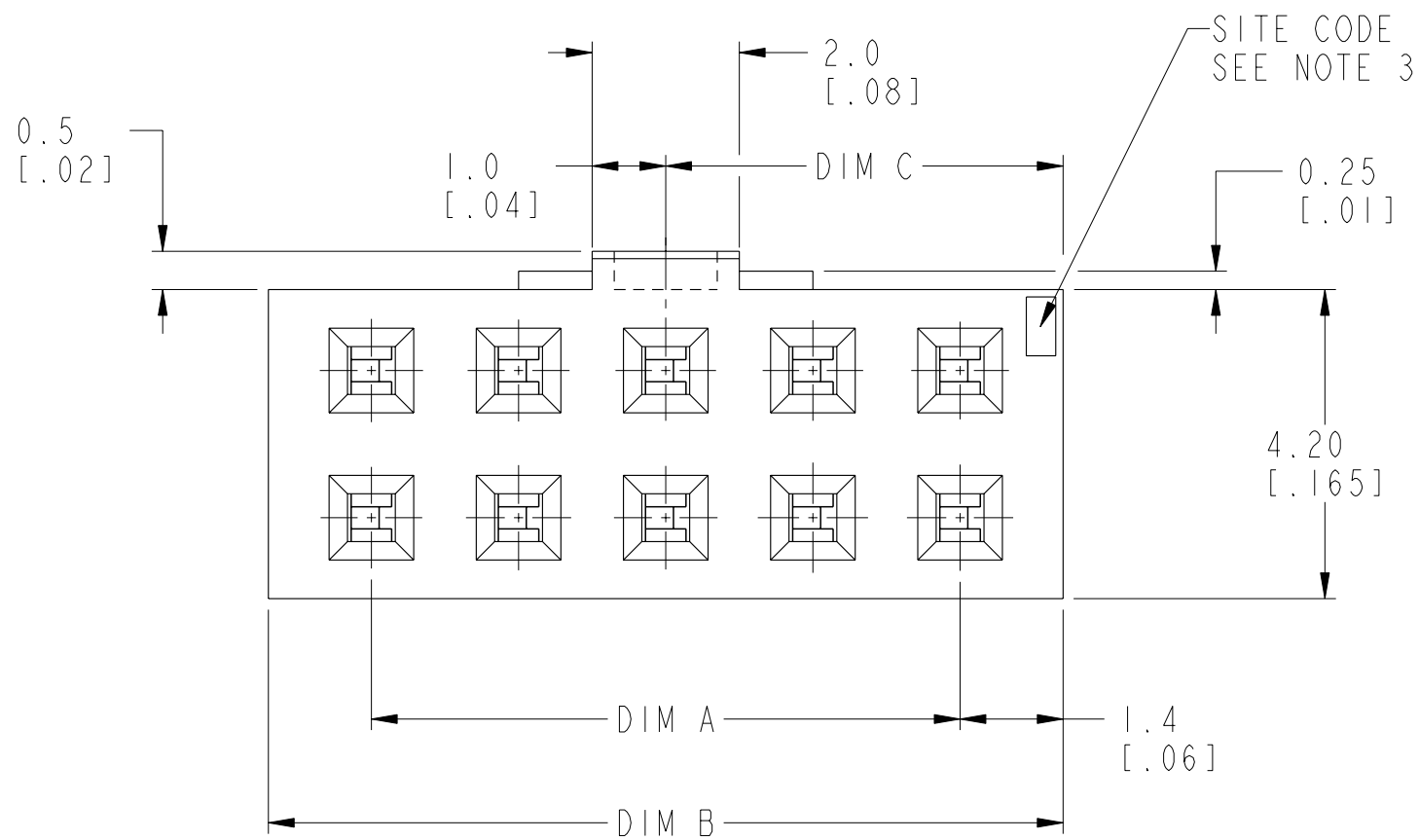
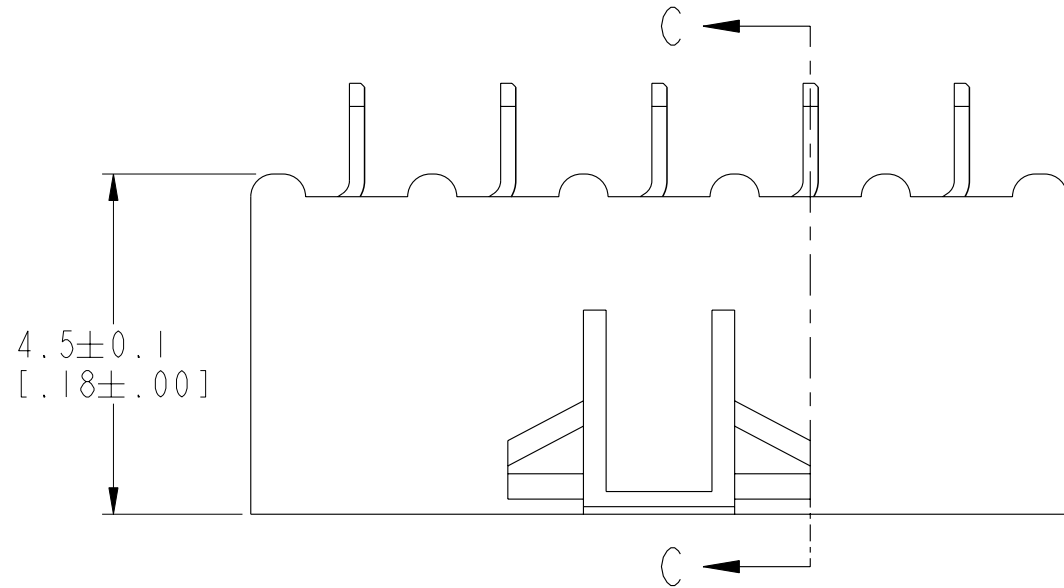


SECTION C-C

CONFIDENTIAL

| | | | | | |
|---------------------------------------|----------|------------|---|-----------------------------------|-----------------------|
| www.fciconnect.com | | | surface - ✓ ISO 1302 | tolerance std ISO 406 ISO 1101 | projection MM/INCH |
| TOLERANCES UNLESS OTHERWISE SPECIFIED | | | | | size A3 |
| Dr | S. OLSON | 1991-09-03 | ANGULAR | x.xx/.xx ±0.3/.01 | Scale 10:1 |
| Eng | S. OLSON | 1991-09-03 | LINEAR | x.xx/.xxx ±0.013/.005 | ECN S10-0205 |
| Chr | KH LEE | 2010-01-23 | 0° ±2° | x.xxx/.xxxx ±0.051/.0020 | Spec ref - |
| Appr | JOEY NG | 2010-01-23 | Product family MINITEK | | |
| FCI | | | MINITEK VCC HSG. DBL. ROW W/LATCHING | | dwg no 90310 |
| | | | catalog no | | Rev. L |
| | | | | CUSTOMER | sheet 1 of 3 |

| rev | ecn no | dr | date |
|-----|----------|-----|------------|
| H | S04294 | LSS | 1995-01-19 |
| J | V50889 | MRC | 1995-07-06 |
| K | S05-0090 | KBM | 2005-03-21 |
| L | S10-0205 | AK | 2010-01-23 |
| - | - | - | - |
| - | - | - | - |
| - | - | - | - |



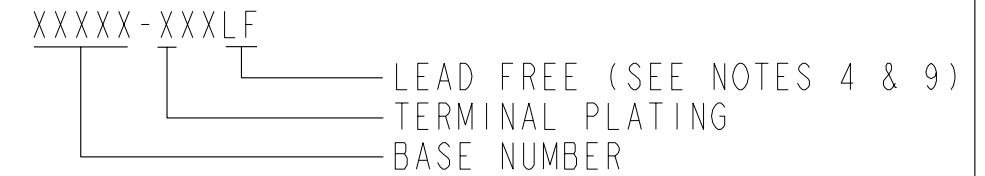
CONFIDENTIAL

| | | | | | |
|--------------------|----------|------------|--|-----------------------------------|-----------------------|
| www.fciconnect.com | | | surface ISO 1302 | tolerance std ISO 406 ISO 1101 | projection MM/INCH |
| | | | TOLERANCES UNLESS OTHERWISE SPECIFIED | | |
| Dr | S. OLSON | 1991-09-03 | ANGULAR | LINEAR | size |
| Eng | S. OLSON | 1991-09-03 | | | A3 |
| Chr | KH LEE | 2010-01-23 | 0° ±2° | X.XX/.XXX X.XXX/.XXXX | ECN S10-0205 |
| Appr | JOEY NG | 2010-01-23 | Product family MINITEK | | Spec ref - |
| | | | title MINITEK VCC HSG. DBL. ROW W/LATCHING | | Rev. L |
| catalog no - | | | dwg no 90310 | | sheet 2 of 3 |

| PRODUCT NO | POSITIONS | DIM. A | DIM. B | DIM. C | LATCHING FEATURE |
|------------|-----------|-----------|-----------|----------|------------------|
| 90310-X04 | 2 X 2 | 2.0/.08 | 4.8/.19 | 2.4/.09 | 1 |
| 90310-X06 | 2 X 3 | 4.0/.16 | 6.8/.27 | 3.4/.13 | 2 |
| 90310-X08 | 2 X 4 | 6.0/.24 | 8.8/.35 | 4.4/.17 | ▲ |
| 90310-X10 | 2 X 5 | 8.0/.32 | 10.8/.43 | 5.4/.21 | |
| 90310-X12 | 2 X 6 | 10.0/.39 | 12.8/.50 | 6.4/.25 | |
| 90310-X14 | 2 X 7 | 12.0/.47 | 14.8/.58 | 7.4/.29 | |
| 90310-X16 | 2 X 8 | 14.0/.55 | 16.8/.66 | 8.4/.33 | |
| 90310-X18 | 2 X 9 | 16.0/.63 | 18.8/.74 | 9.4/.37 | |
| 90310-X20 | 2 X 10 | 18.0/.71 | 20.8/.82 | 10.4/.41 | |
| 90310-X22 | 2 X 11 | 20.0/.79 | 22.8/.90 | 11.4/.45 | |
| 90310-X24 | 2 X 12 | 22.0/.87 | 24.8/.98 | 12.4/.49 | |
| 90310-X26 | 2 X 13 | 24.0/.95 | 26.8/1.06 | 13.4/.53 | |
| 90310-X28 | 2 X 14 | 26.0/1.02 | 28.8/1.13 | 14.4/.57 | |
| 90310-X30 | 2 X 15 | 28.0/1.10 | 30.8/1.21 | 15.4/.61 | |
| 90310-X32 | 2 X 16 | 30.0/1.18 | 32.8/1.29 | 16.4/.65 | ▼ |
| 90310-X34 | 2 X 17 | 32.0/1.26 | 34.8/1.37 | 17.4/.69 | 2 |

| PLATING | DESCRIPTION SEE NOTE 4 |
|---------|---------------------------|
| 0 | 0.2µm/ 8µ" Au |
| 1 | 0.76µm/ 30µ" Au |
| 2 | UNASSIGNED |
| 3 | 0.38µm/ 15µ" Au |

PART NUMBER INFORMATION:



NOTES:

- HOUSING MATERIAL: PCT UL94V-0 COLOR BEIGE.
- TERMINAL MATERIAL: PHOS BRONZE
- SITE CODE INDICATES POS 1.
- PLATING AT CONTACT:
Au OVER 1.27µm/500 Ni

PLATING AT SOLDER TAIL:
(a) SOLDER TAIL OF P/N: 90310-XXX IS TIN/LEAD PLATED.
(b) SOLDER TAIL OF P/N: 90310-XXXLF IS 100% MATTE TIN PLATED.
- FOR USE WITH MINITEK LATCHING HEADERS WHEN MATING AND UNMATING THE FORCES WILL BE APPROX 1 Kg/2.2 lbs. GREATER THAN THE FORCES DETAILED IN 110-036, PAR 3.5.3.5.
- SHEET 1 SHOWS THE SINGULAR LATCHING FEATURE CONFINED TO THE 2X2.

- THIS HOUSING WILL WITHSTAND EXPOSURE TO 250°C PEAK TEMPERATURE FOR 10 SECONDS IN A CONVECTION, INFRA-RED OR VAPOR PHASE REFLOW OVEN.
- THE HOUSING WILL WITHSTAND EXPOSURE TO 260°C PEAK TEMPERATURE FOR 10 SECONDS IN A WAVE SOLDER APPLICATION WITH A 1.57MM MINIMUM THICK CIRCUIT BOARD.
- THIS PRODUCT MEETS EUROPEAN UNION DIRECTIVES AND OTHER COUNTRY REGULATIONS AS DESCRIBED IN GS-22-008.

- ▲ 10. A ▲ SYMBOL WILL BE NEXT TO ANY DIMENSION, VIEW OR NOTE WHICH HAS BEEN MODIFIED WITH THE CURRENT DRAWING REVISION.

CONFIDENTIAL

| | | | | | |
|---------------------------------------|----------|---|-----------------------------------|-------------------------|-------------------|
| www.fciconnect.com | | surface - ISO 1302 | tolerance std ISO 406 ISO 1101 | projection | MM/ INCH |
| TOLERANCES UNLESS OTHERWISE SPECIFIED | | | | | |
| Dr | S. OLSON | 1991-09-03 | ANGULAR | X.X/.XX ±0.3/.01 | size A3 Scale 1:1 |
| Eng | S. OLSON | 1991-09-03 | LINEAR | X.XX/.XXX ±0.013/.005 | |
| Chr | KH LEE | 2010-01-23 | 0° ±2° | X.XXX/.XXX ±0.051/.0020 | ECN S10-0205 |
| Appr | JOEY NG | 2010-01-23 | Product family | MINITEK | Spec ref - |
| FCI | | MINITEK VCC HSG. DBL. ROW W/LATCHING | | dwg no | 90310 |
| catalog no | | - | | CUSTOMER | sheet 3 of 3 |

Mouser Electronics

Authorized Distributor

Click to View Pricing, Inventory, Delivery & Lifecycle Information:

[FCI / Amphenol:](#)

[90310-006](#) [90310-014](#) [90310-104](#) [90310-106](#) [90310-108](#) [90310-112](#) [90310-114](#) [90310-116](#) [90310-006LF](#) [90310-014LF](#) [90310-104LF](#) [90310-106LF](#) [90310-108LF](#) [90310-112LF](#) [90310-114LF](#) [90310-116LF](#) [90310-008](#) [90310-020LF](#) [90310-022LF](#) [90310-024LF](#) [90310-034](#) [90310-134](#) [90310-008LF](#) [90310-012LF](#) [90310-034LF](#) [90310-028LF](#)