

## Surge protection device - C-TV-SAT - 2856993

Please be informed that the data shown in this PDF Document is generated from our Online Catalog. Please find the complete data in the user's documentation. Our General Terms of Use for Downloads are valid (<http://phoenixcontact.com/download>)



Attachment plug with surge protection for antenna inputs with F connector

### Product Features

- Protective adapter for antenna connections
- TV or F connector
- Use on broadband cable or SAT connection



### Key Commercial Data

Packing unit	1 pc
Weight per Piece (excluding packing)	68.9 g
Custom tariff number	85363010
Country of origin	Germany

### Technical data

#### Dimensions

Height	44 mm
Width	28 mm
Depth	66 mm

#### Ambient conditions

Ambient temperature (operation)	-25 °C ... 75 °C
Degree of protection	IP20

#### General

Housing material	PA
Flammability rating according to UL 94	V0
Color	black
Standards for clearances and creepage distances	DIN VDE 0110-1

## Surge protection device - C-TV-SAT - 2856993

### Technical data

#### General

	IEC 60664-1
Overvoltage category	II
Degree of pollution	2
Mounting type	Connection-specific intermediate plugging
Type	Attachment plug
Number of positions	1
Direction of action	Line-Shield/Earth Ground

#### Protective circuit

IEC test classification	C1
	C2
	C3
	D1
Maximum continuous voltage $U_C$	180 V DC
	130 V AC
Maximum continuous voltage $U_C$ (wire-shield)	180 V DC
Nominal current $I_N$	1.5 A (25 °C)
Operating effective current $I_C$ at $U_C$	$\leq 1 \mu\text{A}$
Nominal discharge current $I_n$ (8/20) $\mu\text{s}$ (Core-Shield)	2.5 kA
Total surge current (8/20) $\mu\text{s}$	2.5 kA
Nominal pulse current $I_{an}$ (10/1000) $\mu\text{s}$ (Core-Shield)	120 A
Output voltage limitation at 1 kV/ $\mu\text{s}$ (Core-Shield) spike	$\leq 600 \text{ V}$
Output voltage limitation at 1 kV/ $\mu\text{s}$ (Core-Shield) static	$\leq 600 \text{ V}$
Residual voltage at $I_n$ (conductor-shield)	$\leq 30 \text{ V}$
Voltage protection level $U_p$ (core-shield)	$\leq 700 \text{ V}$ (C2 - 4 kV/2 kA)
Response time $t_A$ (Core-GND)	$\leq 100 \text{ ns}$
Input attenuation aE, asym.	0.5 dB ( $\leq 2.4 \text{ GHz}$ )
Cut-off frequency $f_g$ (3 dB), asym. (shield) in 75 Ohm system	$> 3 \text{ GHz}$
Frequency range	4.7 MHz ... 2.5 GHz
Capacity asymmetrical (shield)	typ. 10 pF
Impulse durability (conductor-shield)	C2 - 4 kV/2 kA
	C3 - 100 A
	D1 (500 A)
Alternating current carrying capacity (conductor-shield)	5 A - 1 s

#### Connection data

Connection method	F connector
Connection type IN	F connector, female

# Surge protection device - C-TV-SAT - 2856993

## Technical data

### Connection data

Connection type OUT	F connector, female
---------------------	---------------------

### Standards and Regulations

Standards/regulations	IEC 61643-21
	EN 50083 - CLASS A

## Classifications

### eCl@ss

eCl@ss 4.0	27140201
eCl@ss 4.1	27130801
eCl@ss 5.0	27130801
eCl@ss 5.1	27130801
eCl@ss 6.0	27130807
eCl@ss 7.0	27130807
eCl@ss 8.0	27130807
eCl@ss 9.0	27130807

### ETIM

ETIM 2.0	EC000943
ETIM 3.0	EC000943
ETIM 4.0	EC000943
ETIM 5.0	EC000943

### UNSPSC

UNSPSC 6.01	30212010
UNSPSC 7.0901	39121610
UNSPSC 11	39121610
UNSPSC 12.01	39121610
UNSPSC 13.2	39121620

## Approvals

### Approvals

---

Approvals

EAC

---

# Surge protection device - C-TV-SAT - 2856993

## Approvals

Ex Approvals

---

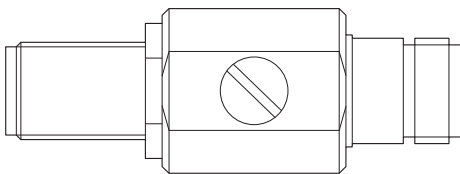
Approvals submitted

## Approval details

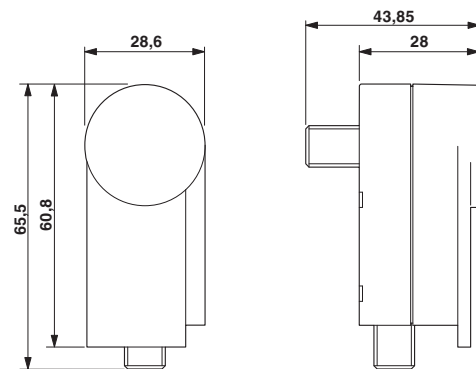
EAC
-----

## Drawings

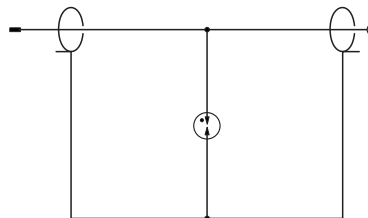
Product drawing



Dimensional drawing



Circuit diagram



# Mouser Electronics

Authorized Distributor

Click to View Pricing, Inventory, Delivery & Lifecycle Information:

[Phoenix Contact:](#)

[2856993](#)