

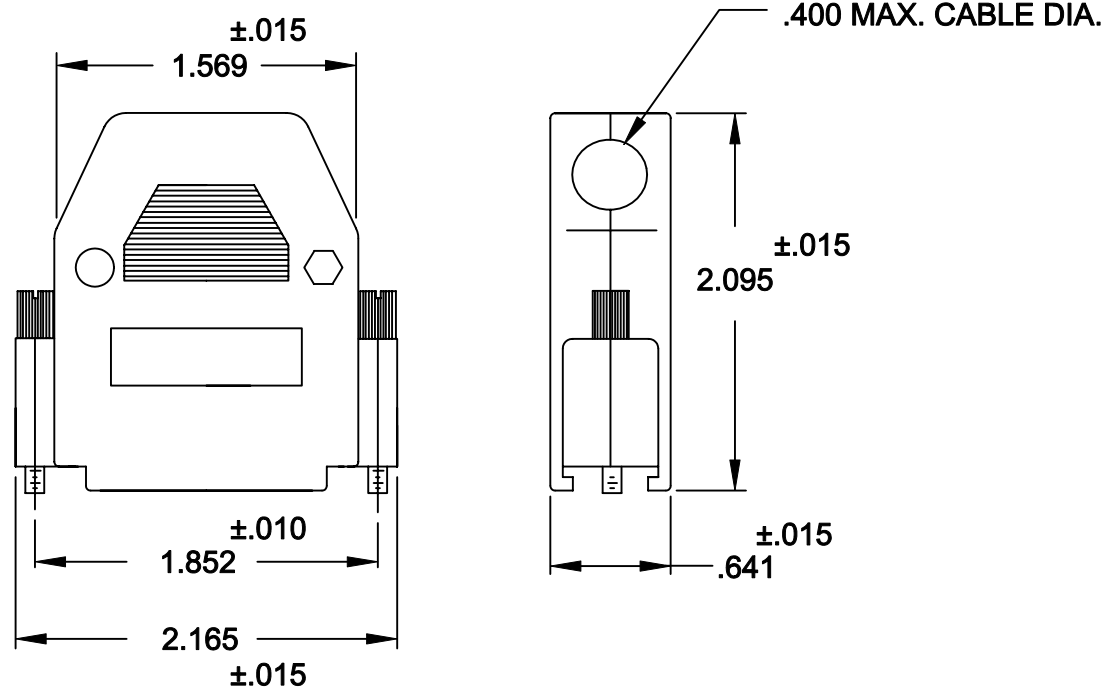
DESCRIPTION: 993 SERIES 45 DEGREE ENTRY D-SUB BACKSHELL

BACKSHELL KIT INCLUDES:

- (2) BACKSHELL HALVES
- (2) HOUSING SCREWS
- (2) HOUSING NUTS
- (2) 4-40 THUMBSCREWS
- (2) STRAIN RELIEF CLAMPS
- (2) STRAIN RELIEF SCREWS

993-XXX-XXXRXX1


Series _____
 Position _____
 025 _____
 Material _____
 010 = Plastic
 020 = Metalized Plastic
 Color: _____
 03 = Grey
 12 = Chrome
 Put-Up: _____
 1 = Kit



METALIZED PLASTIC:
 MATERIAL: ABS HIGH TEMPERATURE PLASTIC 94HB
 METALIZED PLATING: CHROME

PLASTIC:
 MATERIAL: ABS HIGH TEMPERATURE PLASTIC 94HB

RoHS COMPLIANT

	THESE DRAWINGS AND SPECIFICATIONS ARE THE PROPERTY OF NorComp AND SHALL NOT BE REPRODUCED, COPIED OR USED AS THE BASIS FOR THE MANUFACTURE OR SALE OF APPARATUS WITHOUT WRITTEN PERMISSION.		DRAWN: PAM JENKINS	DATE: 9-15-05
			CHECKED:	DATE:
<h1>NorComp</h1>			SCALE	SHEET OF
			DWG NO. 993-025-XXXRXX1	

Mouser Electronics

Authorized Distributor

Click to View Pricing, Inventory, Delivery & Lifecycle Information:

[NorComp:](#)

[993-025-010R031](#) [993-025-020R121](#)