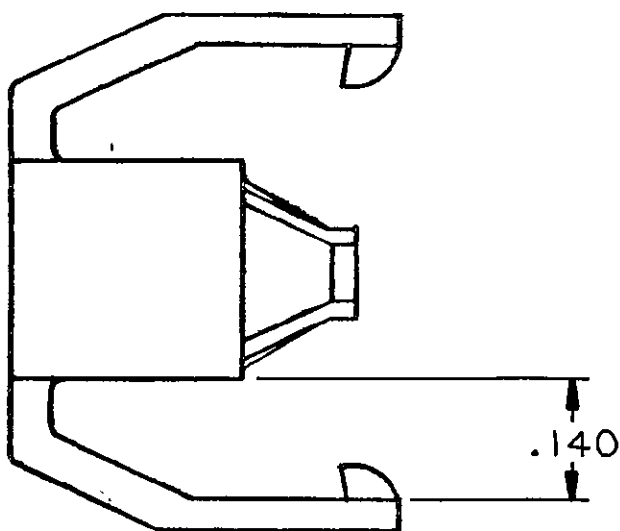
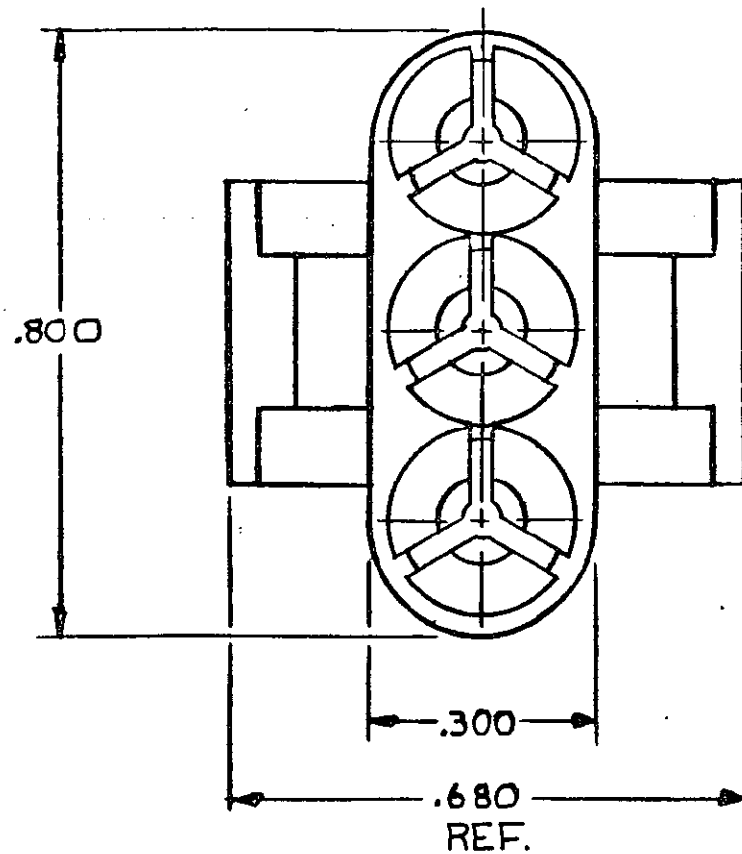
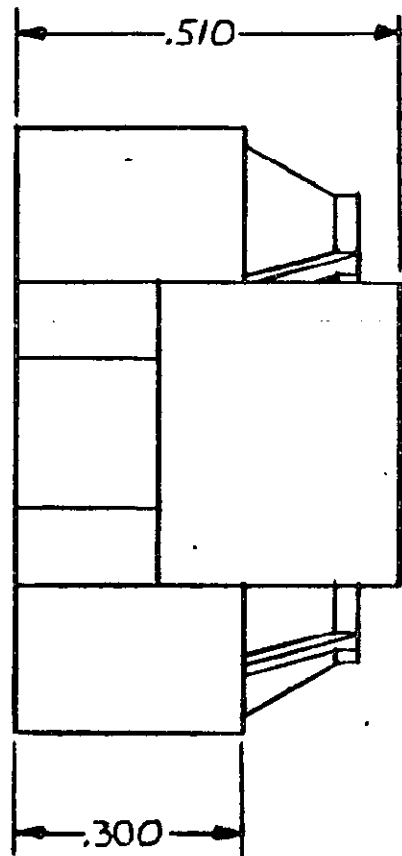


© COPYRIGHT 19 BY AMP INCORPORATED, HARRISBURG, PA. ALL INTERNATIONAL RIGHTS RESERVED. AMP PRODUCTS MAY BE COVERED BY U.S. AND FOREIGN PATENTS AND/OR PATENTS PENDING.

REVISIONS						
P	F	ZONE	LTR	DESCRIPTION	DATE	APPROVED
			E	REVISED PER CM 2704	1-30-90	JB / RS
			F	REV PER EC 0730-0054-95	3-30-95	JH / RS



- ASSEMBLY INSTRUCTIONS:  
SNAP MODULE ONTO HOUSING,  
FULLY INSERT CONTACTS THRU MODULE AND INTO HOUSING, (NOTE: SEVERAL CLICKS CAN BE HEARD AS THE CONTACT IS PUSHED IN PLACE),  
DISENGAGE LATCHES ON MODULE AND SLIDE BACK FROM END OF HOUSING,  
CHECK FOR ANY CONTACTS NOT FULLY INSERTED INTO HOUSING; INSERT ANY CONTACTS NOT LOCKED IN HOUSING,  
PUSH MODULE BACK AGAINST HOUSING UNTIL LATCHES ARE ENGAGED.
- MODULE WILL ACCEPT MAXIMUM WIRE OUTSIDE DIA. OF .160.

643251-1

PART NO

UNLESS OTHERWISE SPECIFIED DIMENSIONS ARE IN INCHES. TOLERANCES ON: DECIMALS ± .015 ANGLES ±		CONTRACT NO		<b>AMP</b>   AMP INCORPORATED Harrisburg, Pa.	
MATERIAL NYLON 94V-0		DR. <i>m. Fehan</i> 7-13-82			
FINISH		CHK. <i>C. High</i> 7-23-82		NAME ASSEMBLY MODULE, UNIVERSAL MATE-N-LOK™, 3 CIRCUIT	
		APPD. <i>C. High</i> 7-26-82		SIZE <b>B</b>	FSCM NO 00779
		DSGN APPD		DRAWING NO 643251	
		OTHER APPD		SCALE 4-1	
				SHEET	

# Mouser Electronics

Authorized Distributor

Click to View Pricing, Inventory, Delivery & Lifecycle Information:

[TE Connectivity:](#)

[643251-1](#)