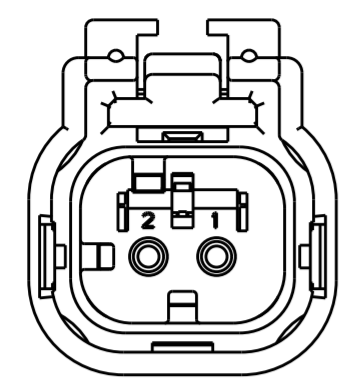
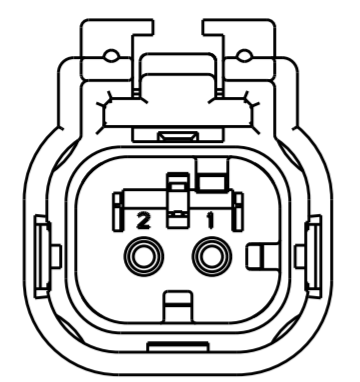


THIS DRAWING IS UNPUBLISHED. RELEASED FOR PUBLICATION 20  
 © COPYRIGHT 20 BY - ALL RIGHTS RESERVED.

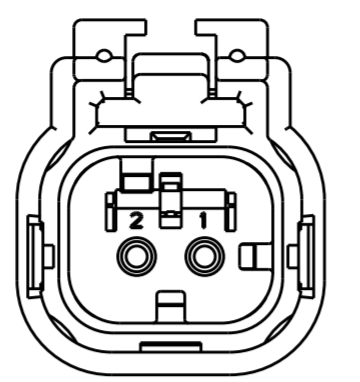
| REVISIONS |     |                           |           |       |
|-----------|-----|---------------------------|-----------|-------|
| P         | LTR | DESCRIPTION               | DATE      | APVD  |
| G         |     | REVISED PER ECO-13-019067 | 05DEC2013 | DR RB |
|           |     |                           |           |       |
|           |     |                           |           |       |



776427-2  
SCALE 2:1  
KEY B

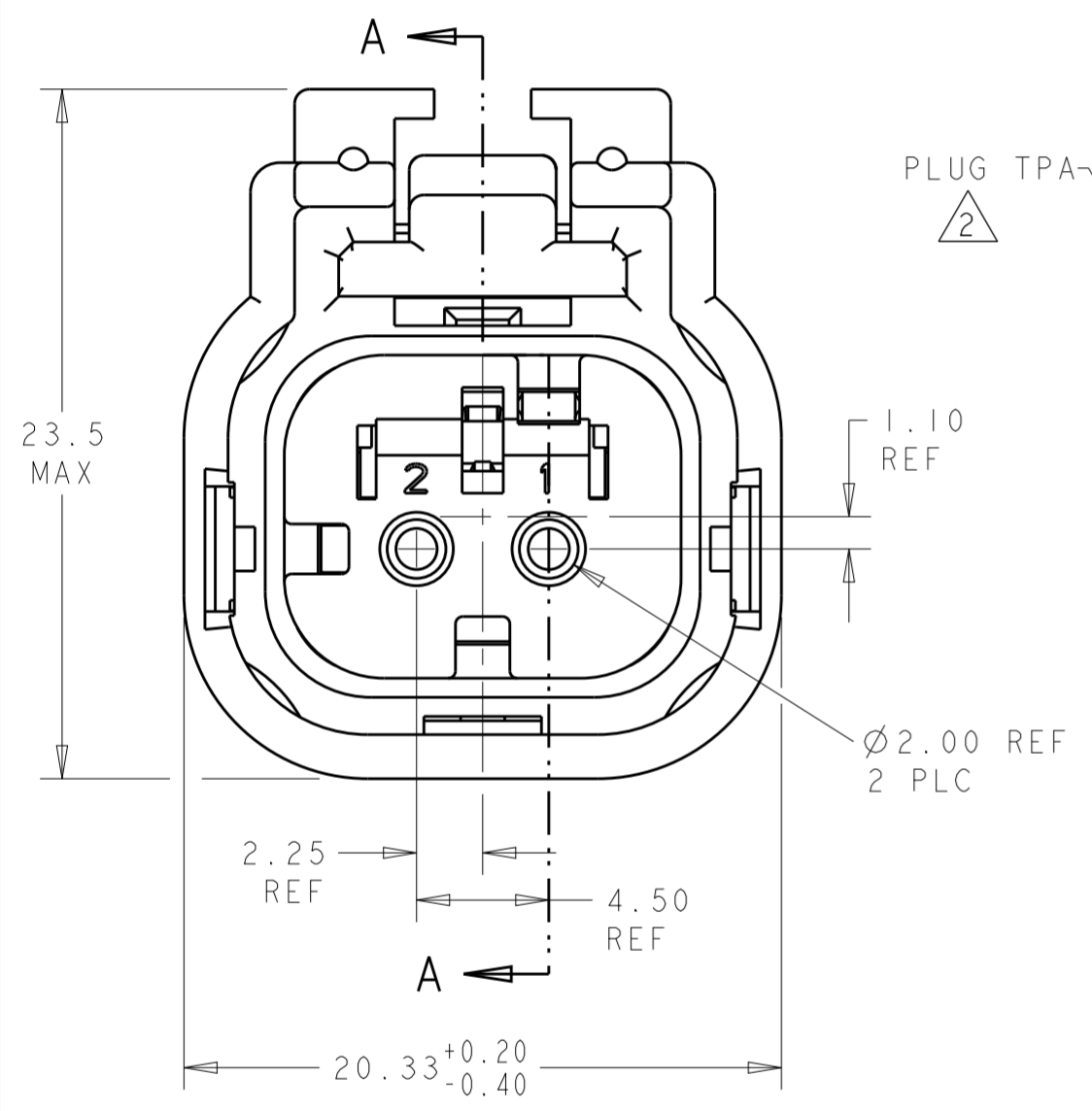


776427-3  
SCALE 2:1  
KEY C

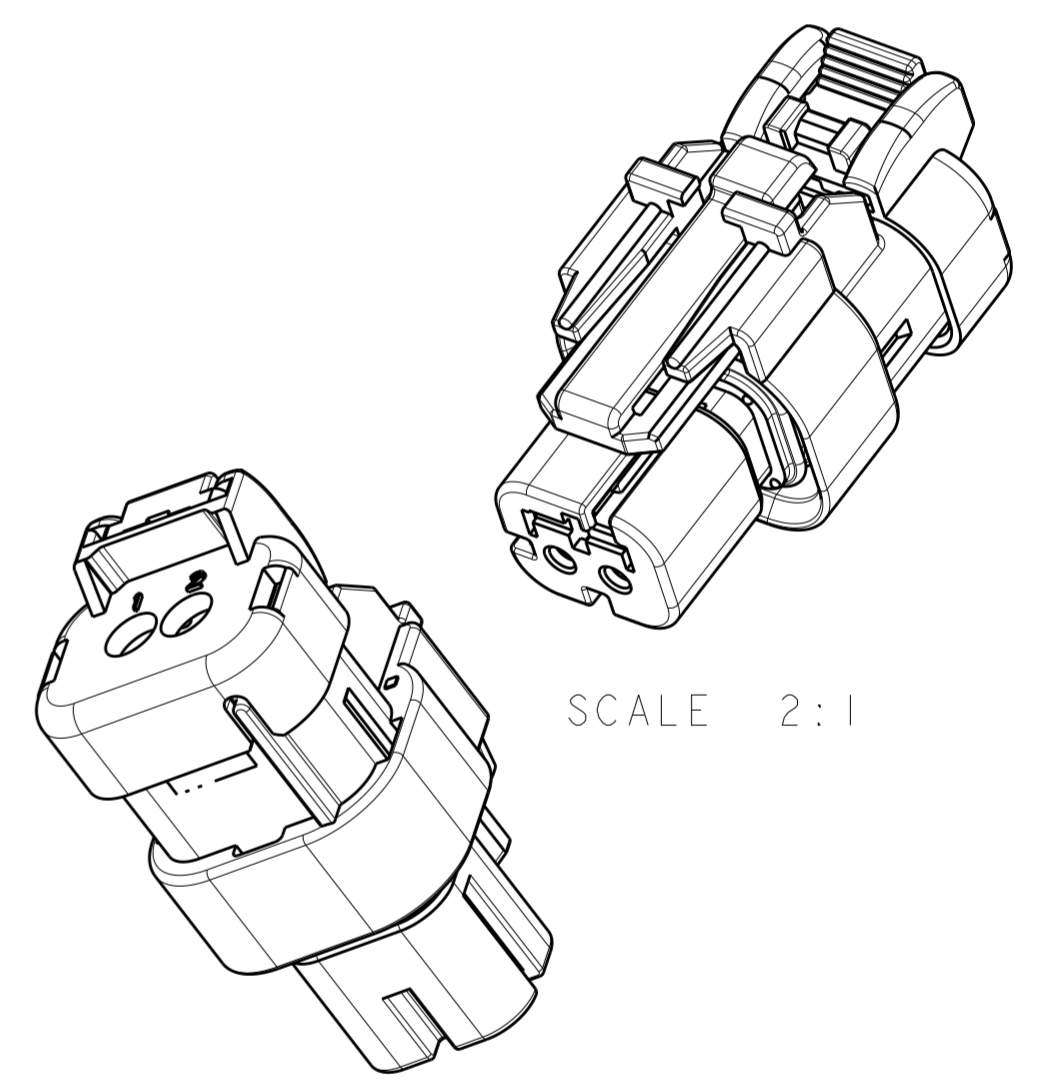
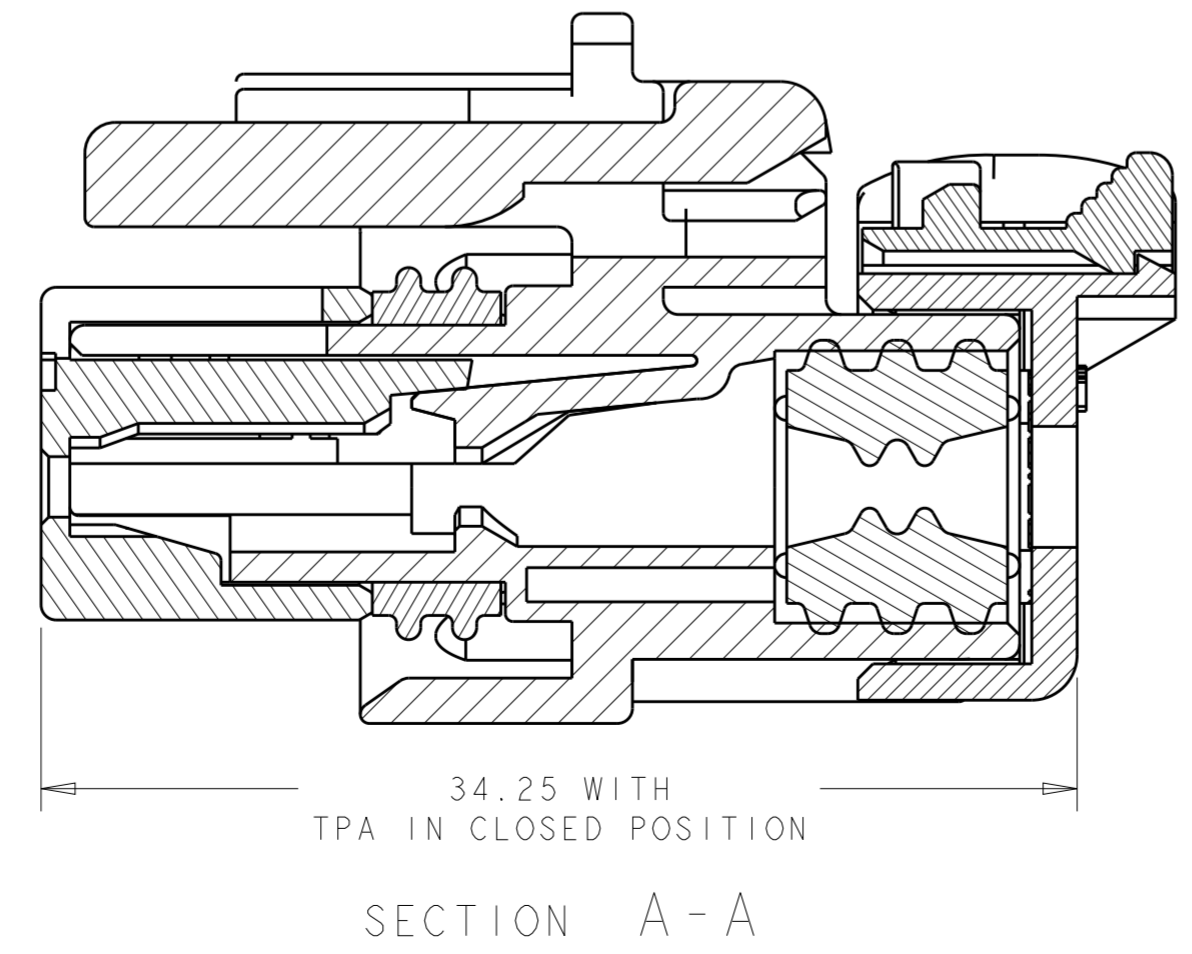
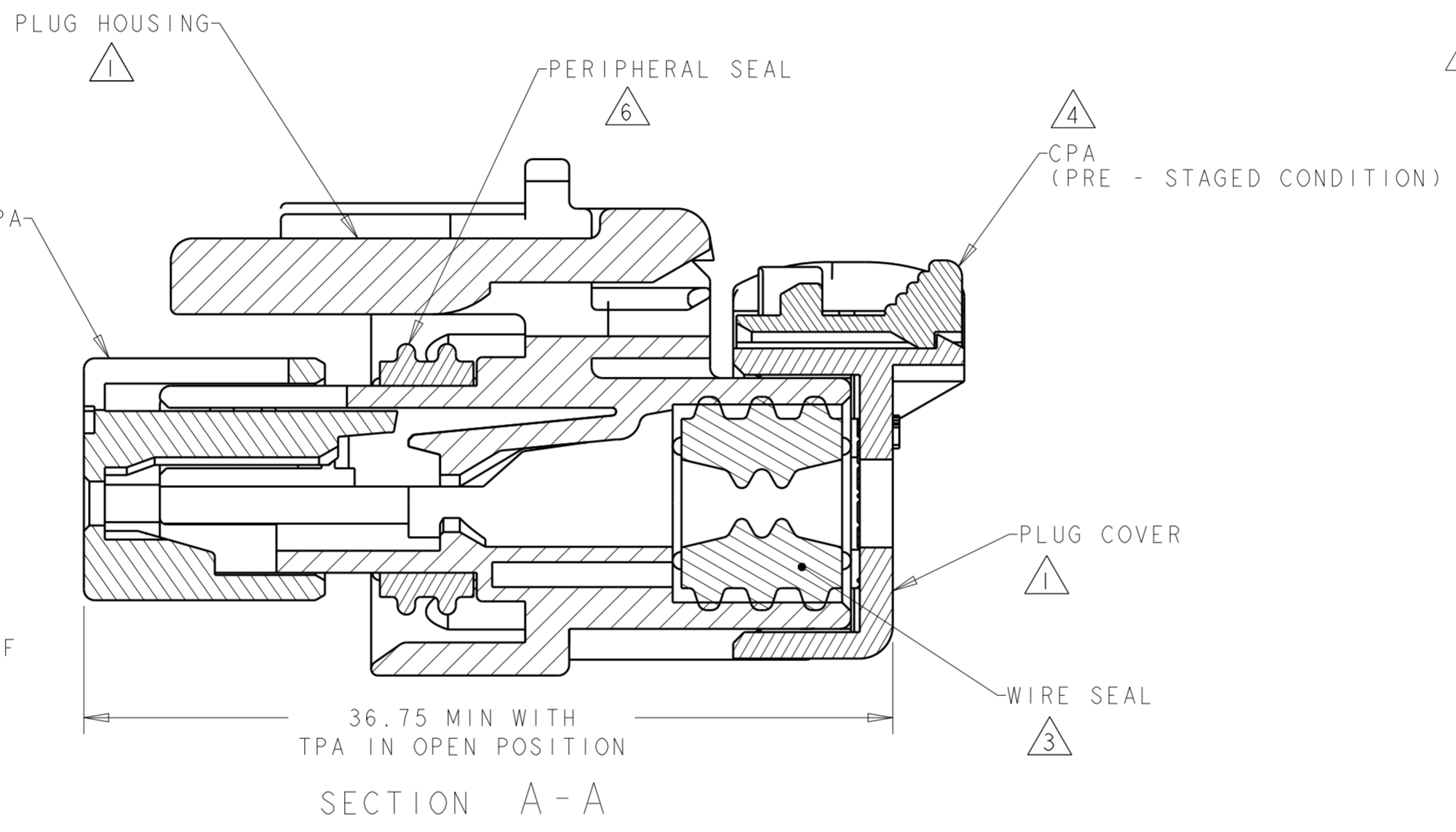


776427-4  
SCALE 2:1  
KEY D

- ① MATERIAL: 15% GLASS FILLED THERMOPLASTIC  
COLOR: BLACK
- ② MATERIAL: 15% GLASS FILLED THERMOPLASTIC  
COLOR: (SEE TABLE)
- ③ MATERIAL: SILICONE  
COLOR: MARINE BLUE
- ④ MATERIAL: 15% GLASS FILLED THERMOPLASTIC  
COLOR: RED
- 5. RECOMMENDED WIRE DIAMETER RANGE IS 2.18 TO 3.67mm.
- ⑥ MATERIAL: SILICONE  
COLOR: BLUE



776427-1 SHOWN  
KEY A



|     |           |             |
|-----|-----------|-------------|
| D   | GREEN     | 776427-4    |
| C   | YELLOW    | 776427-3    |
| B   | GRAY      | 776427-2    |
| A   | RED       | 776427-1    |
| KEY | TPA COLOR | PART NUMBER |

|  |          |                               |  |                       |
|--|----------|-------------------------------|--|-----------------------|
| THIS DRAWING IS A CONTROLLED DOCUMENT. |          | DWN<br>AJ GRAFF 22FEB00       | TE Connectivity  |                       |
| DIMENSIONS:<br>mm                      |          | CHK<br>R GREINER 11DEC01      |  |                       |
| TOLERANCES UNLESS OTHERWISE SPECIFIED: |          | APVD<br>M TRULLI 11DEC01      | NAME<br>PLUG ASSEMBLY,<br>2 POSITION, SINGLE ROW<br>AMPSEAL 16 |                       |
| 0 PLC ±                                | 1 PLC ±  | PRODUCT SPEC<br>108-2184      | SIZE<br>A20779   | CAGE CODE<br>C-776427 |
| 2 PLC ±                                | 3 PLC ±  | APPLICATION SPEC<br>114-13065 | DRAWING NO   | RESTRICTED TO         |
| 4 PLC ±                                | ANGLES ± | WEIGHT<br>8                   | SCALE<br>4:1   | SHEET<br>OF           |
| FINISH -                               | -        | Customer Drawing              | REV<br>G   |                       |

# Mouser Electronics

Authorized Distributor

Click to View Pricing, Inventory, Delivery & Lifecycle Information:

[TE Connectivity:](#)

[776427-3](#)