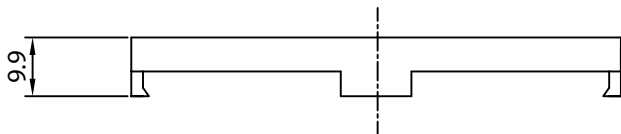
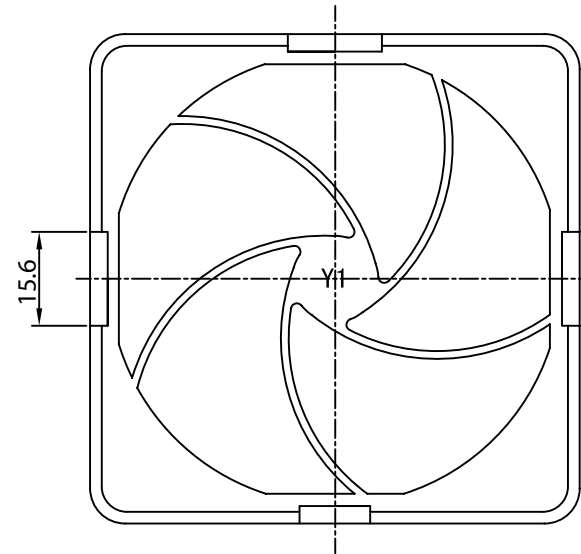
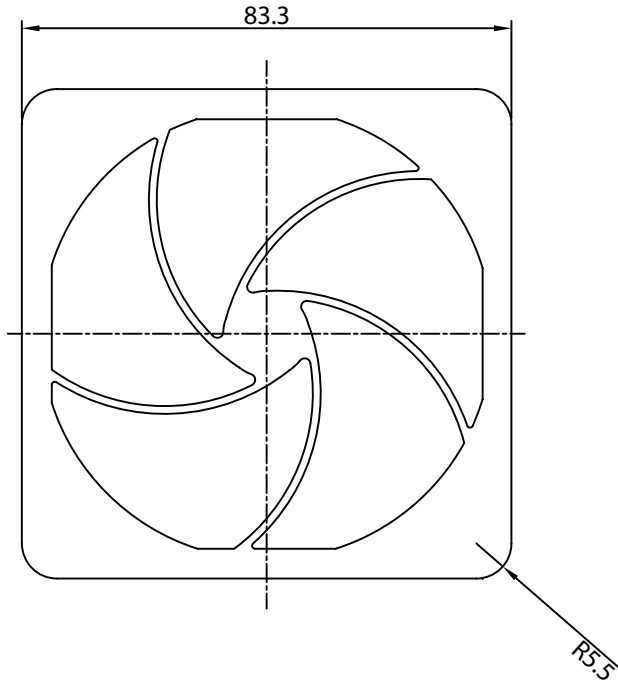


THESE DRAWINGS ARE THE PROPERTY OF QUALTEK ELECTRONICS AND NOT TO BE REPRODUCED FOR OR COMMUNICATED TO A THIRD PARTY WITHOUT THE EXPRESS WRITTEN PERMISSION OF AN OFFICER OF QUALTEK ELECTRONICS.

| REVISION | | | |
|----------|---------------------------------|----------|----------|
| REV. | DESCRIPTION | DATE | APPROVED |
| B | RoHS Compliancy | 06-01-06 | DP |
| C | Updated Graphics and Dimensions | 05-21-10 | LY |
| D | Material Update | 04-15-13 | LY |



CONTROLLED

NOTES:

MATERIAL: PC 2805
UL94V-2
RoHS COMPLIANT

| Dim range (mm) | | Tolerance +/- (mm) | | Qualtek Electronics Corp. FAN-S DIVISION | | |
|----------------|------|-----------------------------------|--|---|--|--|
| 0-5 | 0.1 | Part Number: 09325-R | | RoHS Compliant | | |
| 5-16 | 0.15 | Description: PLASTIC FAN RETAINER | | | | |
| 16-64 | 0.2 | UNIT: mm | | REV: D | | |
| 64-250 | 0.4 | Drawn / Date | | Checked / Date | | |
| 250-1000 | 0.5 | B.ZHANG 10-10-03 | | 10-10-03 | | |
| 1000-1500 | 1.0 | Approved / Date | | JH / 10-10-03 | | |

Mouser Electronics

Authorized Distributor

Click to View Pricing, Inventory, Delivery & Lifecycle Information:

[Qualtek:](#)

[09325-R](#)