

THIS DRAWING IS UNPUBLISHED.

RELEASED FOR PUBLICATION

APR, 1997.

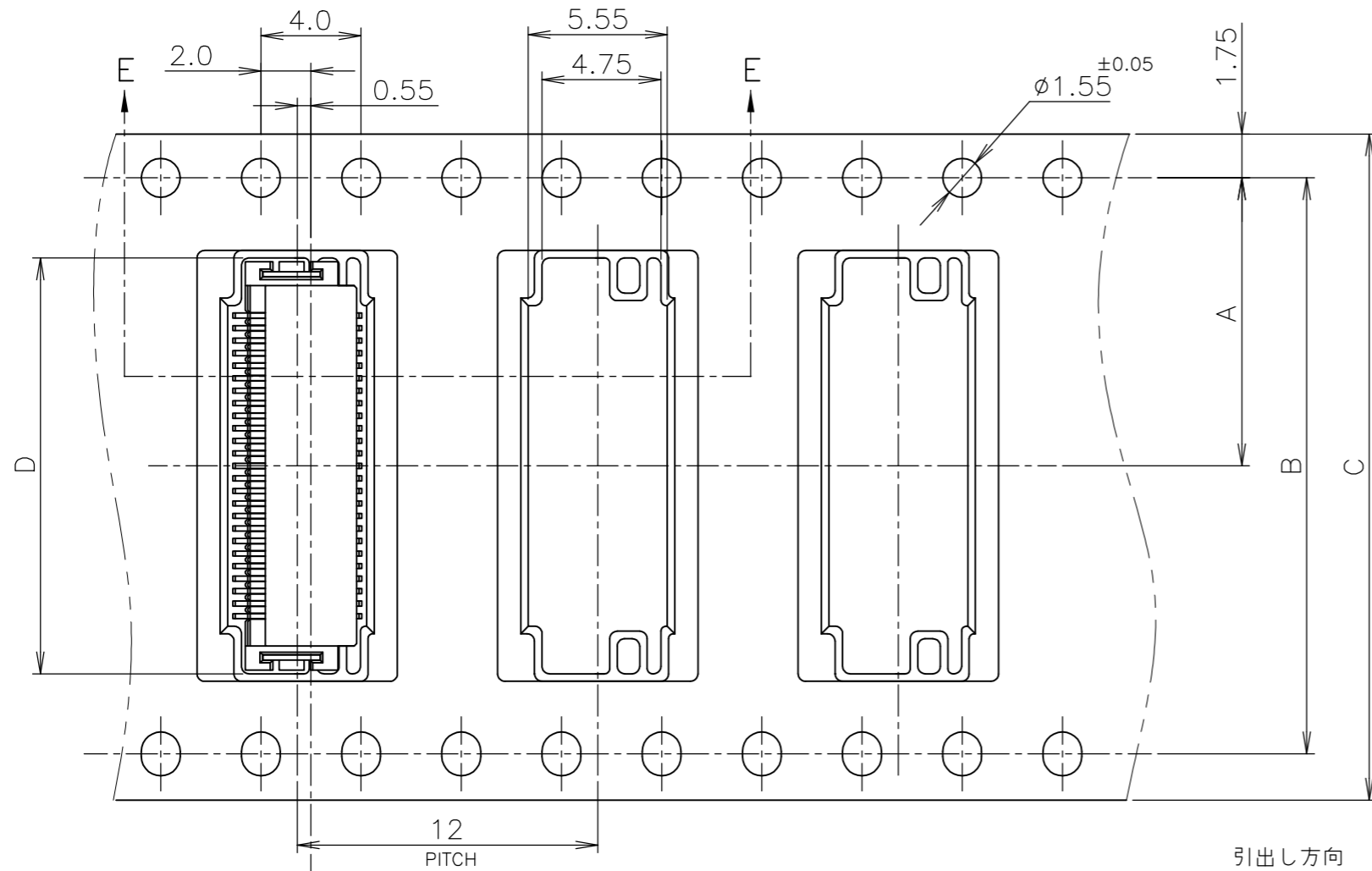
© COPYRIGHT 2004 By -

ALL RIGHTS RESERVED.

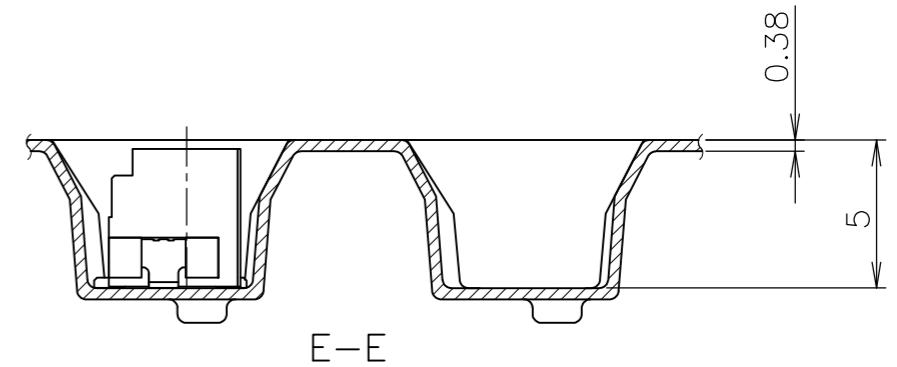
REVISIONS

変更

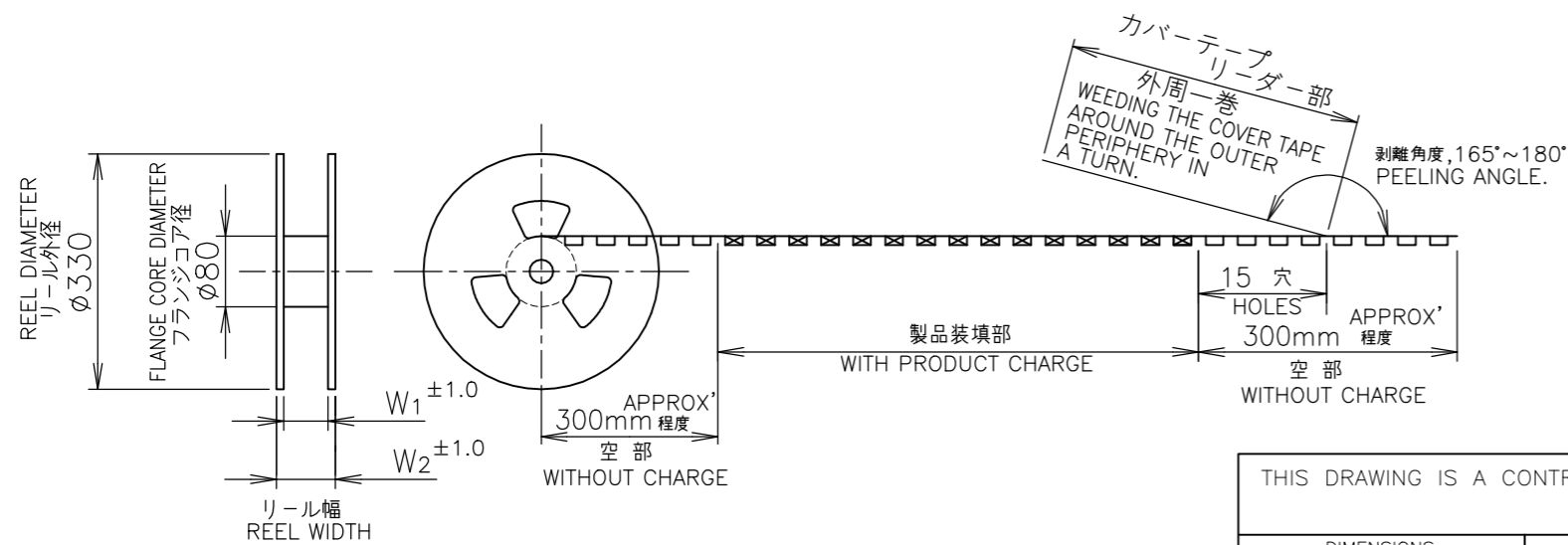
P	LTR	DESCRIPTION	DATE	DWN	APVD
C		REVISED ECR-14-013112	30JAN2015	I.T	W.H
C1		REVISED PER ECO-17-015460	19OCT2017	R.L	H.L



テープ幅
TAPE WIDTH



引出し方向
TOP OF REEL →




鉛フリー
LEAD FREE

THIS DRAWING IS A CONTROLLED DOCUMENT.

DIMENSIONS: 単位: 耗 MM	TOLERANCES UNLESS OTHERWISE SPECIFIED: 一般公差
0 PLC	± 0.3
1 PLC	± 0.3
2 PLC	± 0.3
3 PLC	± 0.3
4 PLC	± 0.3
ANGLES	± 3'

MATERIAL
材料

FINISH
仕上

INSTRUCTION SHEET 取扱説明書 411-5808	WIRE RANGE 包含電線断面積	INSULATION DIA 被覆外径
DWN BILL LV 21JAN2011	 TE Connectivity	
CHK MARTIN LI 21JAN2011		
APVD STEVEN YAO 21JAN2011	NAME 名称	
PRODUCT SPEC 製品規格 108-5496	ON TAPING (EMBOSS) 0.5mm PITCH FINE MATE CONN. TAB ASSEMBLY (H-TYPE)	
APPLICATION SPEC 取付適用規格	SIZE A3	CAGE CODE 00779
WEIGHT 0	DRAWING NO 番号 C-1747025	RESTRICTED TO
CUSTOMER DRAWING	SCALE 尺度 4:1	SHEET 1 of 2
		REV C1

4

3

2

1

THIS DRAWING IS UNPUBLISHED.

RELEASED FOR PUBLICATION

APR ,1997.

© COPYRIGHT 2004 By -

ALL RIGHTS RESERVED.

REVISIONS

変更

P	LTR	DESCRIPTION	DATE	DWN	APVD
-	-	SEE SHEET 1	-	-	-

鉛フリー
LEAD FREE

OBSOLETE
OBSOLETE

© OBSOLETE

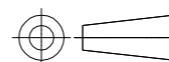
OBSOLETE
© OBSOLETE

	DIMENSIONS										QTY/ REEL	POS	CONNECTOR P/N	TAPING P/N
	W2	W1	E	D	C	B	A							
WITH BOSS														
OBSOLETE	36.7	33.5	0.4	22.2	32	28.4	14.2	1000	70	5	1747023-45	1747022-4		
OBSOLETE	49.5	45.5	0.38	24.7	40	40.4	20.2	1000	80	5	1747023-35	1747022-3		
WITHOUT BOSS														
© OBSOLETE	20.2	17.5	0.38	9.1	16	//	7.5	1000	20		1747026-9	1747025-9		
	29.5	25.5	0.38	16.6	24	//	11.5	1000	50		1747026-6	1747025-6		
OBSOLETE	37.5	33.5	0.38	19.1	32	28.4	14.2	1000	60		1747026-5	1747025-5		
© OBSOLETE	37.5	33.5	0.38	21.6	32	28.4	14.2	1000	70		1747026-4	1747025-4		
	49.5	45.5	0.4	24.1	44	40.4	20.2	1000	80		1747023-3	1747025-3		
	49.5	45.5	0.38	29.1	40	40.4	20.2	1000	100		1747026-1	1747025-1		
BOSS														

INSTRUCTION SHEET 取扱説明書 411-5808	WIRE RANGE 包含電線断面積 -	INSULATION DIA 被覆外径 -
--	----------------------------	-----------------------------

THIS DRAWING IS A CONTROLLED DOCUMENT.

DIMENSIONS:
単位: 耗
MM



TOLERANCES UNLESS
OTHERWISE SPECIFIED:
一般公差

- 0 PLC ± 0.3
- 1 PLC ± 0.3
- 2 PLC ± 0.3
- 3 PLC ± 0.3
- 4 PLC ± 0.3
- ANGLES ± 3'

MATERIAL
材料

FINISH
仕上

DWN	STE TE Connectivity	
CHK		
APVD	NAME 名称	
PRODUCT SPEC 製品規格 108-5496	ON TAPING (EMBOSS) 0.5mm PITCH FINE MATE CONN. TAB ASSEMBLY (H-TYPE)	
APPLICATION SPEC 取付適用規格	SIZE A3	CAGE CODE 00779
WEIGHT	DRAWING NO 番号 C-1747025	RESTRICTED TO

CUSTOMER DRAWING	SCALE 尺度 4:1	SHEET 2 OF 2	REV C1
------------------	-----------------	-----------------	-----------

Mouser Electronics

Authorized Distributor

Click to View Pricing, Inventory, Delivery & Lifecycle Information:

[TE Connectivity:](#)

[1747025-5](#)