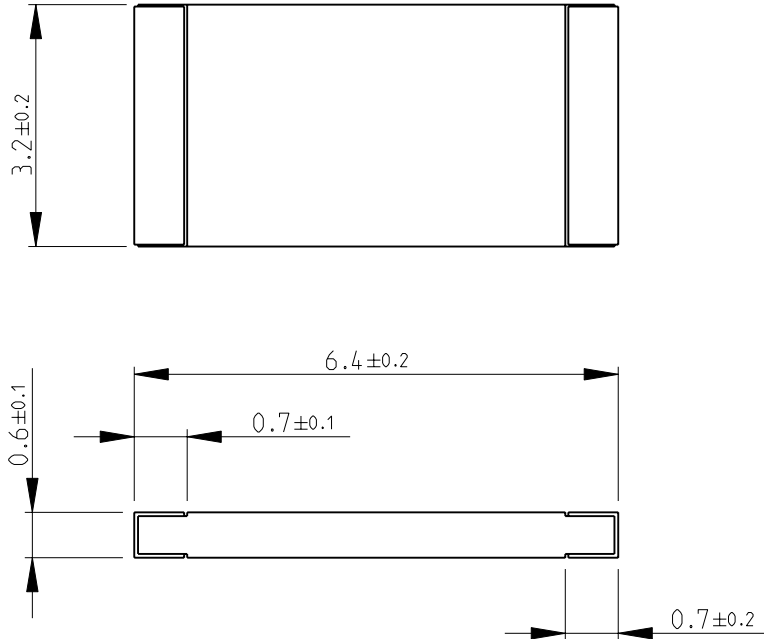
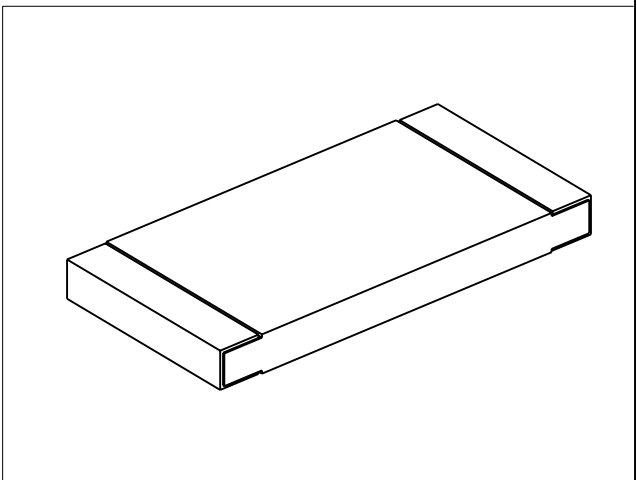


| LOC | DIST | REVISIONS   |                           |           |           |
|-----|------|-------------|---------------------------|-----------|-----------|
| P   | LTR  | DESCRIPTION | DATE                      | DWN       | APVD      |
| E   | B    | BA1         | REVISED PER ECO-11-005150 | 28MAR2011 | RK<br>HMR |
|     |      |             |                           |           |           |
|     |      |             |                           |           |           |



FOR FURTHER INFORMATION SEE DATA SHEET FOR  
3520 SERIES-SMD POWER RESISTORS

RoHS Compliant



2008


RELEASED FOR PUBLICATION

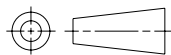
ALL RIGHTS RESERVED.

THIS DRAWING IS UNPUBLISHED.

BY -

© COPYRIGHT 2008

|  |                   |              |  |      |           |       |            |           |               |     |
|--|-------------------|--------------|--|------|-----------|-------|------------|-----------|---------------|-----|
| DIMENSIONS:<br>mm                      | DWN<br>SUBHASH.M  | 01-DEC-08    | MATERIAL   | -    | FINISH    | -     |            |           |               |     |
|  | CHK<br>PRAKASH.S  | 01-DEC-08    |  TE Connectivity |      |           |       |            |           |               |     |
| TOLERANCES UNLESS OTHERWISE SPECIFIED: | APVD<br>STEPHEN.P | 01-DEC-08    |  |      |           |       |            |           |               |     |
|  | 0 PLC ±0.2        | PRODUCT SPEC | NAME<br>SMD POWER RESISTOR<br>SERIES 3520  |      |           |       |            |           |               |     |
| 1 PLC ±0.1                             | APPLICATION SPEC  |              |  |      |           |       |            |           |               |     |
| 2 PLC ±                                | WEIGHT            | -            | SIZE   | A 4  | CAGE CODE | 00779 | DRAWING NO | C-1622820 | RESTRICTED TO | -   |
| 3 PLC ±                                | CUSTOMER DRAWING  |              | SCALE  | 10:1 | SHEET     | 1     | OF         | 1         | REV           | BA1 |
| 4 PLC ±                                |                   |              |  |      |           |       |            |           |               |     |
| ANGLES ±5°                             |                   |              |  |      |           |       |            |           |               |     |



# Mouser Electronics

Authorized Distributor

Click to View Pricing, Inventory, Delivery & Lifecycle Information:

[TE Connectivity:](#)

[3520100RJT](#)