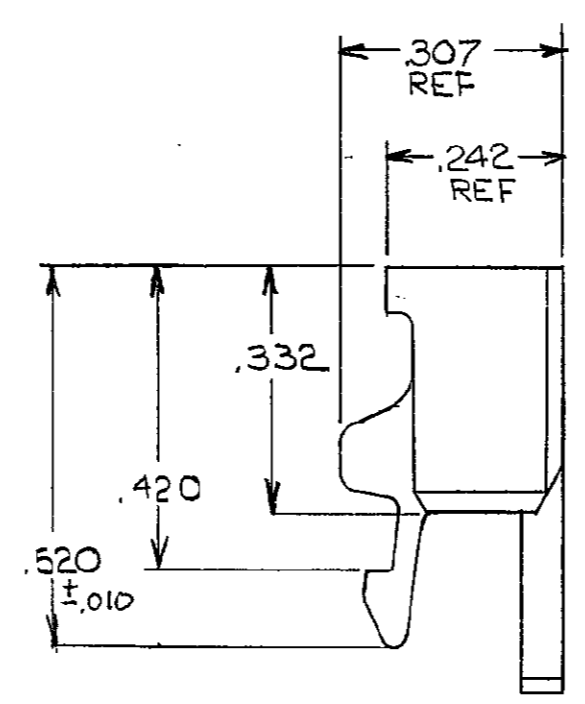
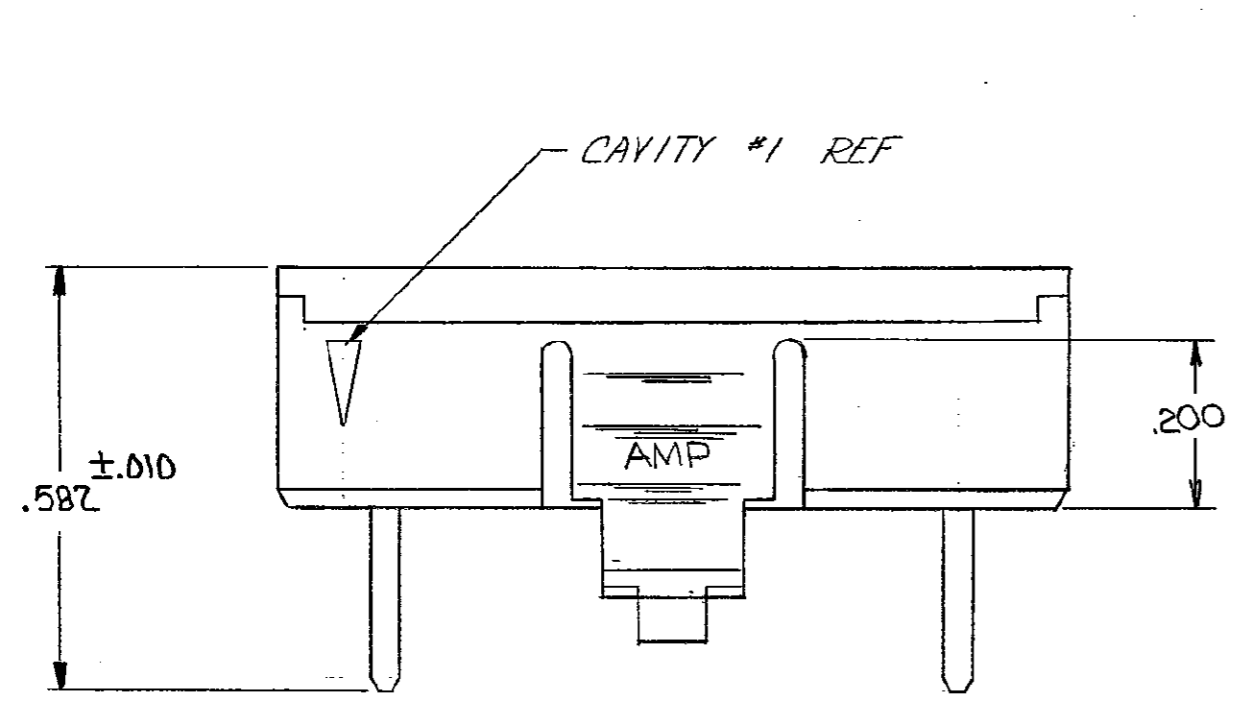
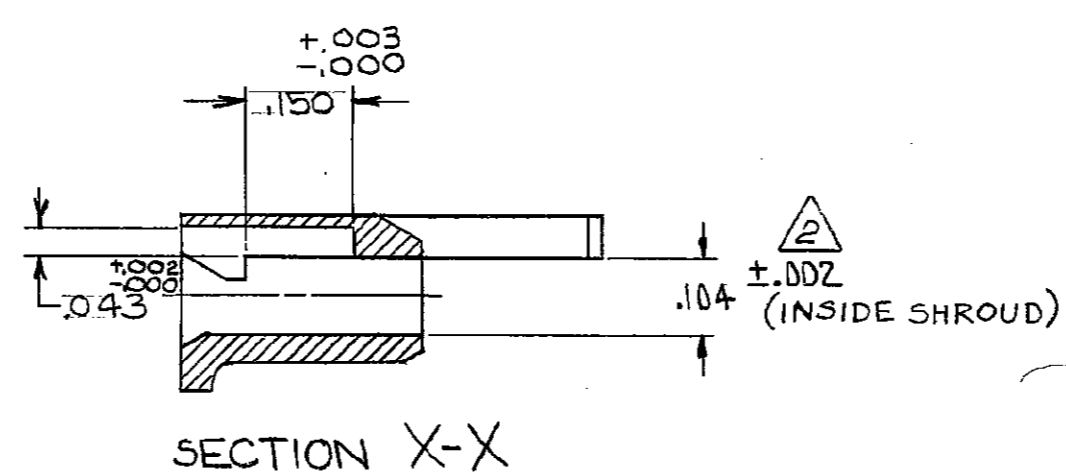
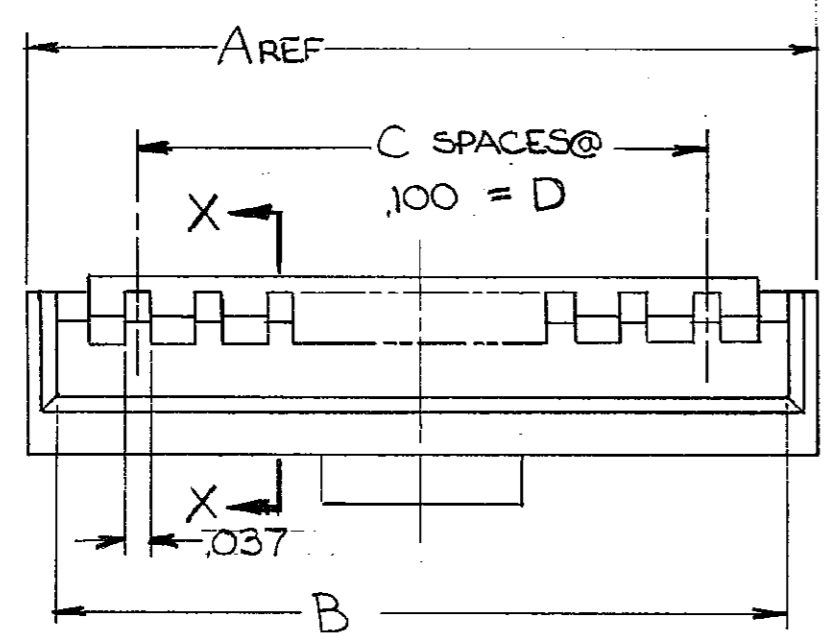


THIS DRAWING IS UNPUBLISHED. RELEASED FOR PUBLICATION  
 (C) COPYRIGHT ALL RIGHTS RESERVED.

REVISIONS						
P	F	ZONE	LTR	DESCRIPTION	DATE	APPROVED
			H2	REVISED PER ECO-11-005140	31MAR11	HMR



	2.300	23	2.505	2.585	25	Z-103680-2	
	2.200	22	2.405	2.485	24	Z-	-1
OBSOLETE	2.100	21	2.305	2.385	23	Z-	-0
	2.000	20	2.205	2.285	22	1-	-9
	1.900	19	2.105	2.185	21	1-	-8
	1.800	18	2.005	2.085	20	1-	-7
	1.700	17	1.905	1.985	19	1-	-6
OBSOLETE	1.600	16	1.805	1.885	18	1-	-5
	1.500	15	1.705	1.785	17	1-	-4
	1.400	14	1.605	1.685	16	1-	-3
	1.300	13	1.505	1.585	15	1-	-2
OBSOLETE	1.200	12	1.405	1.485	14	1-	-1
	1.100	11	1.305	1.385	13	1-	-0
	1.000	10	1.205	1.285	12		-9
OBSOLETE	.900	9	1.105	1.185	11		-8
	.800	8	1.005	1.085	10		-7
OBSOLETE	.700	7	.905	.985	9		-6
	.600	6	.805	.885	8		-5
OBSOLETE	.500	5	.705	.785	7		-4
	.400	4	.605	.685	6		-3
	.300	3	.505	.585	5		-2
	.200	2	.405	.485	4	103680-1	

- 1. SHROUD ACCEPTS HOUSINGS WITH GUIDE RIBS.
- 2. DIMENSION APPLIES WITH ANY BOW OR WARPAGE IN SHROUD WALLS REMOVED.
- 3. OBSOLETE PARTS: OBSOLETE CIS STREAMLINING PER D.RENAUD/D.SINISI

UNLESS OTHERWISE SPECIFIED DIMENSIONS ARE IN INCHES. TOLERANCES ON: DECIMALS ±.005 ANGLES ±	CONTRACT NO	TE Connectivity NAME: SHROUD, COUPLING, SINGLE ROW, AMPMODU MTE		
	DR: <i>W. P. ...</i>			
MATERIAL: THERMOPLASTIC COLOR: BLACK	CHK: <i>Ronald P. ...</i> 4-22-85	SIZE: C	FSCM NO: 00779	DRAWING NO: 103680
FINISH: _____	APPD: <i>Ronald P. ...</i> 4-22-85	SCALE: _____	SHEET 1 OF 1	
	APPD: <i>Ronald P. ...</i> 4-22-85	CUSTOMER DRAWING		
	DSGN APPD			
	OTHER APPD			

103680

# Mouser Electronics

Authorized Distributor

Click to View Pricing, Inventory, Delivery & Lifecycle Information:

[TE Connectivity:](#)

[1-103680-0](#)