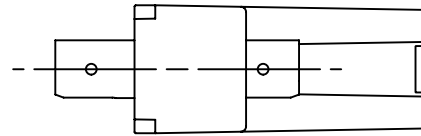


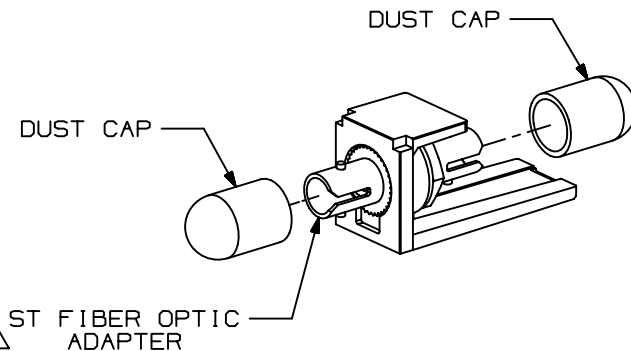
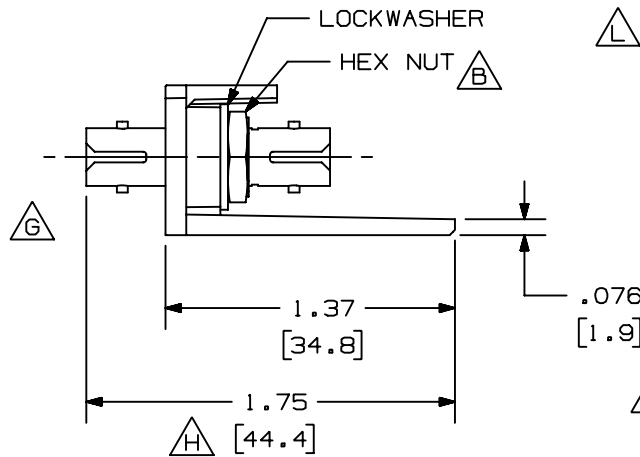
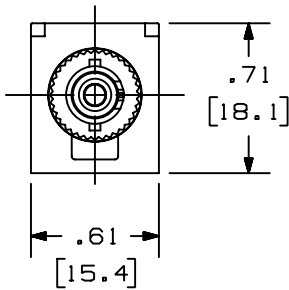
THIS COPY IS PROVIDED ON A RESTRICTED BASIS AND IS NOT TO BE USED IN ANY WAY DETRIMENTAL TO THE INTERESTS OF PANDUIT CORP.



PANDUIT P/N	WEIGHT
CMST**	2.37 LB/100 PCS (1078g/100PCS)
CMSTZ**	2.37 LB/100 PCS (1078g/100PCS)

NOTES:

- SEE CURRENT CATALOG FOR ADDITIONAL PART NUMBER SUFFIXES TO INDICATE COLOR AND/OR PACKAGE QUANTITY.
- SEE CATALOG FOR COMPLETE LIST OF PARTS APPLICABLE FOR USE WITH THIS PART.
- THIS PART IS DESIGNATED FOR USE WITH MINI-COM PLATES AND BOXES.
- DIMENSIONS IN BRACKETS ARE METRIC [mm].
- ADAPTER SLOT ORIENTATION MAY VARY.



MODEL FILENAME	SIZE
DRAWING FILENAME	A
D35241BD_CMST_03.PRT	

TITLE	MINI-COM ST FIBER OPTIC ADAPTER MODULE CUSTOMER DRAWING
-------	---

04	1-31-03	EFK		L. ADDED: NOTE 5 K. ADDED CMSTZ**	35241-04					
03	11-27-01	EFK	MMW	J. ADDED: NOTE 3 H. ADDED: 1.75 [44.4] DIMENSION G. REM'D: .098 [2.5] DIMENSION F. REVISED ST ADAPTER PICTORALLY	35241-04	MMW	MMW			
02	08-25-98	JBA	FJD	E. MATERIAL WAS: HIPS	35241-04	FJD	FJD			
01	08-22-95	DW	CEF	D. CORRECTED WEIGHT C. MATERIAL WAS: A.B.S. B. ADDED: HEX NUT A. CORRECTED POSITION OF ADAPTER	35241-04	CEF				
R	08-15-95	DW	CEF	RELEASED TO PRODUCTION	35241-04	CEF				
REV	DATE	BY	CHK	DESCRIPTION	ECN	R	CUST	SUP	OTH	

<p>PANDUITTM CORP. TINLEY PARK, ILL 60477</p>	I.I. NUMBER
	PRODUCT SPEC
<p>THIRD ANGLE PROJECTION</p>	WORK INST
	SCALE
<p>ALL DIMENSIONS ARE GIVEN IN INCHES, UNLESS OTHERWISE SPECIFIED.</p> <p>DIMENSIONAL TOLERANCES ARE: (.X) ± (.XXX) ± .010 (0.3) (.XX) ± .03 (0.8) ANGLES ±</p>	PART NO.
	DRAWING NO.
<p>DRAWN BY: DW</p> <p>DATE: 06-26-95</p> <p>CHK'D</p>	<p>MATERIAL: A.B.S.</p>
<p>35241-04</p>	

Mouser Electronics

Authorized Distributor

Click to View Pricing, Inventory, Delivery & Lifecycle Information:

Panduit:

[CMSTWH](#) [CMSTIW](#) [CMSTZEI](#) [CMSTZBL](#) [CMSTZIW](#) [CMSTAW](#) [CMSTBL](#) [CMSTEI](#) [CMSTIG](#) [CMSTBU](#)
[CMSTZBU](#)