

LOC	DIST	REVISIONS			
P	LTR	DESCRIPTION	DATE	DWN	APVD
A1	-	A1	28MAR11	RK	HMR
		REVISED PER ECO-11-005150			

Siehe Produktgruppenzeichnung
929453

REFER TO PRODUCT GROUP DRAWING
FOR LATEST INFORMATION
ON THE PART
929453


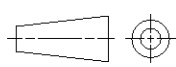
RELEASED FOR PUBLICATION

ALL RIGHTS RESERVED.

THIS DRAWING IS UNPUBLISHED.

BY -

© COPYRIGHT -

DIMENSIONS: mm	DWN	S. Garcia	30SEP99	MATERIAL	-	FINISH	-
	CHK	R. Jetter	30SEP99	 TE Connectivity			
TOLERANCES UNLESS OTHERWISE SPECIFIED:	APVD	-	PRODUCT SPEC				
0 PLC ±-				MQS Stiftkontakt			
1 PLC ±-				MQS PIN CONTACT			
2 PLC ±-				SIZE	CAGE CODE	DRAWING NO	RESTRICTED TO
3 PLC ±-				A4	00779	C=928918	-
4 PLC ±-				CUSTOMER DRAWING			
ANGLES ±1°	WEIGHT	-		SCALE	%	SHEET	OF
							REV A1

Mouser Electronics

Authorized Distributor

Click to View Pricing, Inventory, Delivery & Lifecycle Information:

[TE Connectivity:](#)

[927766-3 \(MOUSER REEL\)](#) [1-928918-1 \(Mouser Reel\)](#) [1-928918-1 \(Cut Strip\)](#)