

# Customer Information Sheet

DRAWING No.: M80-665XXXX

SHEET 2 OF 2

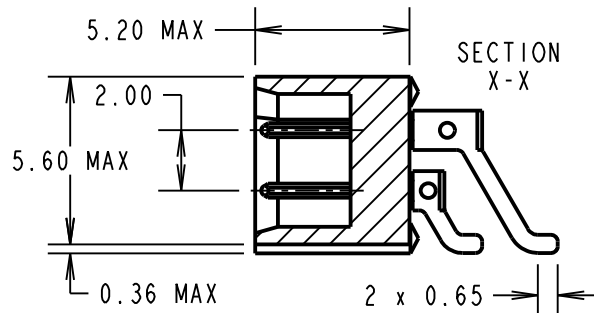
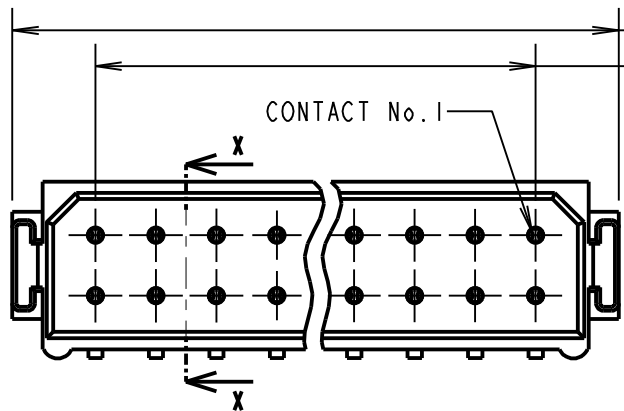
IF IN DOUBT - ASK

©

NOT TO SCALE

THIRD ANGLE PROJECTION

ALL DIMENSIONS IN mm



**SPECIFICATIONS:**

**MATERIAL:**  
 MOULDING = GLASS-FILLED PPS, UL94V-0, BLACK  
 CONTACT = BRASS

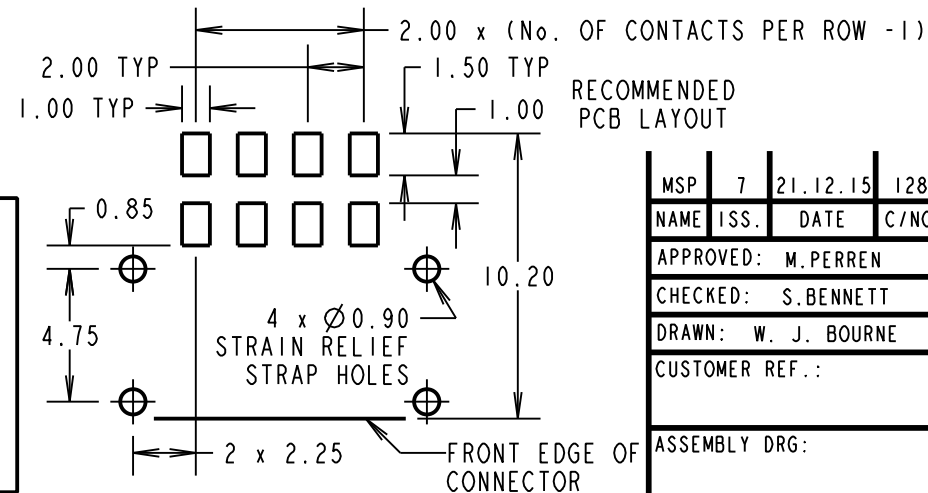
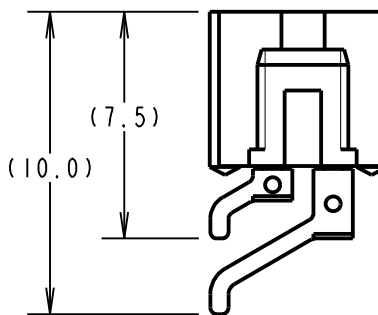
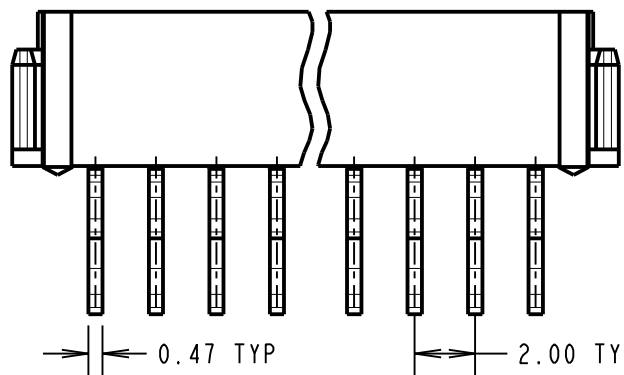
**FINISH:**  
**CONTACT:**  
 22 = 0.75µ GOLD ON CONTACT AREA,  
 3µm 90/10 TIN/LEAD ON TAILS  
 42 = 0.75µ GOLD ON CONTACT AREA,  
 3µm 100% TIN ON TAILS  
 45 = 0.75µ GOLD OVER NICKEL

**ELECTRICAL:**  
 CURRENT RATING AT 25°C = 3.0A MAX  
 CURRENT RATING AT 85°C = 2.2A MAX  
 WORKING VOLTAGE = 800V AC/DC  
 VOLTAGE PROOF = 1200V AC/DC  
 CONTACT RESISTANCE = 25mΩ MAX  
 INSULATION RESISTANCE = 100MΩ MIN

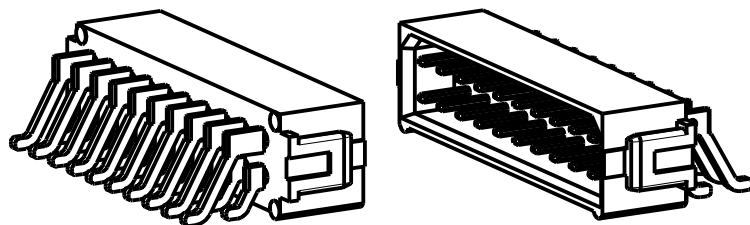
**MECHANICAL:**  
 DURABILITY = 500 OPERATIONS

**ENVIRONMENTAL:**  
 TEMPERATURE RANGE = -55°C TO +125°C

**PACKING:**  
 TUBE, 2-OFF STRAIN RELIEF STRAPS PER CONNECTOR IN BAG  
 FOR COMPLETE SPECIFICATION, SEE COMPONENT  
 SPECIFICATION C005XX (LATEST ISSUE)



RECOMMENDED  
PCB LAYOUT



**ORDER CODE:**

**M80-665XXXX**

No. OF CONTACTS \_\_\_\_\_  
 04, 06, 08, 10, 12, 14,  
 16, 18, 20, 26, 34

**FINISH** \_\_\_\_\_  
 22 - GOLD, 90/10 TIN/LEAD  
 42 - GOLD, 100% TIN  
 45 - ALL OVER GOLD

MSP	7	21.12.15	12814
NAME	ISS.	DATE	C/NOTE
APPROVED: M.PERREN			
CHECKED: S.BENNETT			
DRAWN: W. J. BOURNE			
CUSTOMER REF.:			
ASSEMBLY DRG:			

**HARWIN**

www.harwin.com  
 technical@harwin.com

THIS DRAWING AND ANY INFORMATION OR DESCRIPTIVE MATTER SET OUT HEREON ARE CONFIDENTIAL AND COPYRIGHT PROPERTY OF THE HARWIN GROUP AND MUST NOT BE DISCLOSED, LOANED, COPIED OR USED FOR MANUFACTURING, TENDERING OR FOR ANY OTHER PURPOSE WITHOUT THEIR WRITTEN PERMISSION.

**TOLERANCES**  
 X. = ±1mm  
 X.X = ±0.50mm  
 X.XX = ±0.10mm  
 X.XXX = ±0.01mm  
 ANGLES = ±5°  
 UNLESS STATED

**MATERIAL:**  
 SEE ABOVE  
**FINISH:** SEE ABOVE  
**S/AREA:** mm<sup>2</sup>

**TITLE:** DATAMATE L-TEK  
 MALE DIL HORIZONTAL SMT  
 ASSEMBLY (UNLATCHED)  
**DRAWING NUMBER:** M80-665XXXX  
 SHT 2 OF 2

# Mouser Electronics

Authorized Distributor

Click to View Pricing, Inventory, Delivery & Lifecycle Information:

[Harwin:](#)

[M80-6650442](#) [M80-6650642](#) [M80-6650842](#) [M80-6651042](#) [M80-6651242](#) [M80-6652022](#) [M80-6652042](#) [M80-6652622](#) [M80-6652642](#) [M80-6653422](#) [M80-6653442](#) [M80-6651422](#) [M80-6651442](#) [M80-6651622](#) [M80-6651642](#) [M80-6651822](#) [M80-6651842](#) [M80-6654422](#) [M80-6654442](#)