

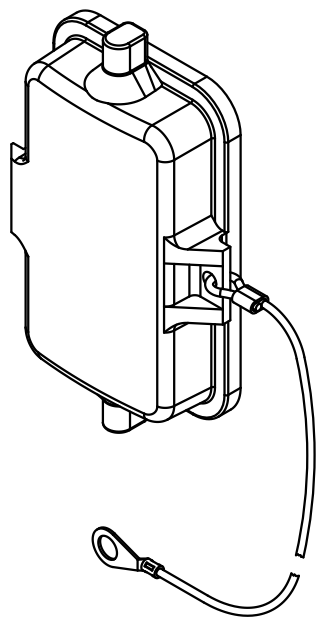
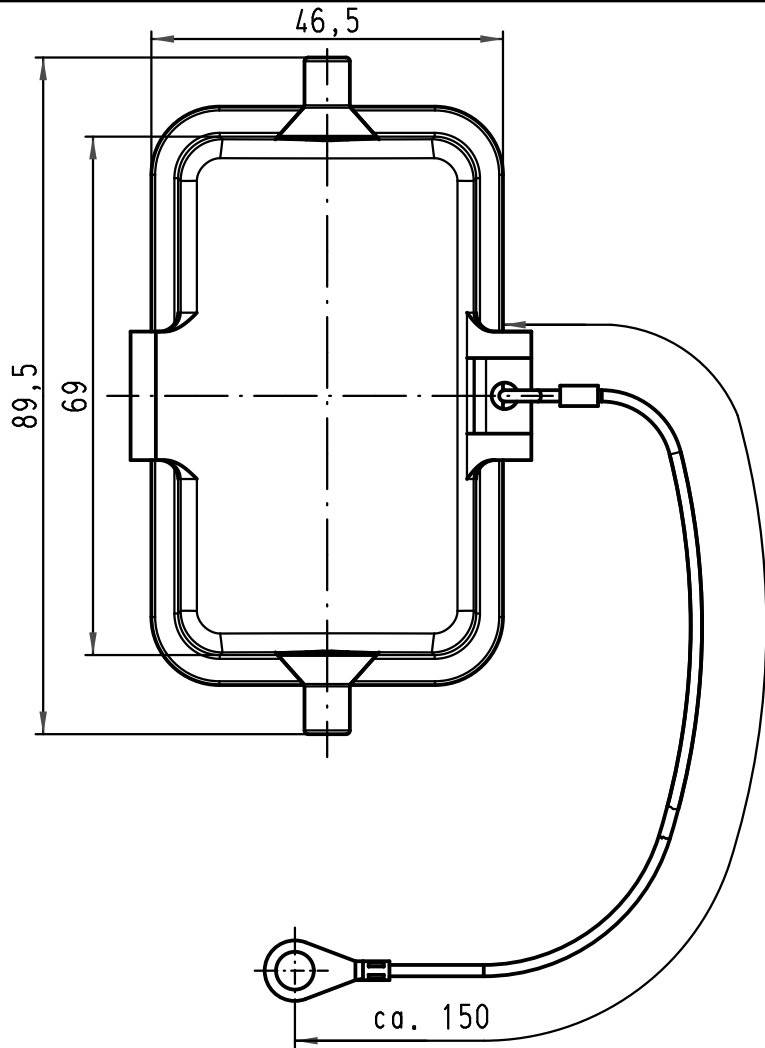
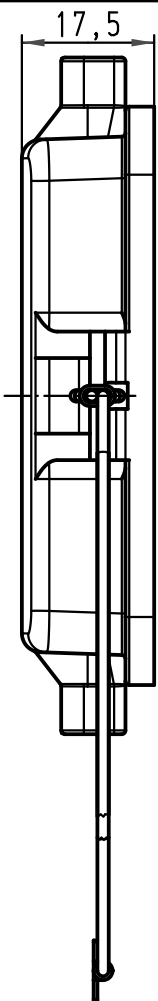
1 2 3 4 5 6

A

B

C

D



All Dimensions in mm Original Size DIN A 4			Techn. Character.			Nicht tolerierte Maße/ Free size tolerances			
				Dat.	Name	Maßstab/ Scale 1:1	<h1>Abdeckkappe</h1> <p>cover</p>		
			Detail.	30.11.99	Th				
			Insp.		SDT				
			Stand.						
413164	30.08.07	Ho	HARTING Electric GmbH & Co. KG				TB 09 30 010 5412		Blatt/ page
27642			D-32339 Espelkamp						
Mod.	Dat.	Name				Sub. TB 09 30 010 5412 v. 10.01.96			

Mouser Electronics

Authorized Distributor

Click to View Pricing, Inventory, Delivery & Lifecycle Information:

[HARTING:](#)

[09300105412](#)