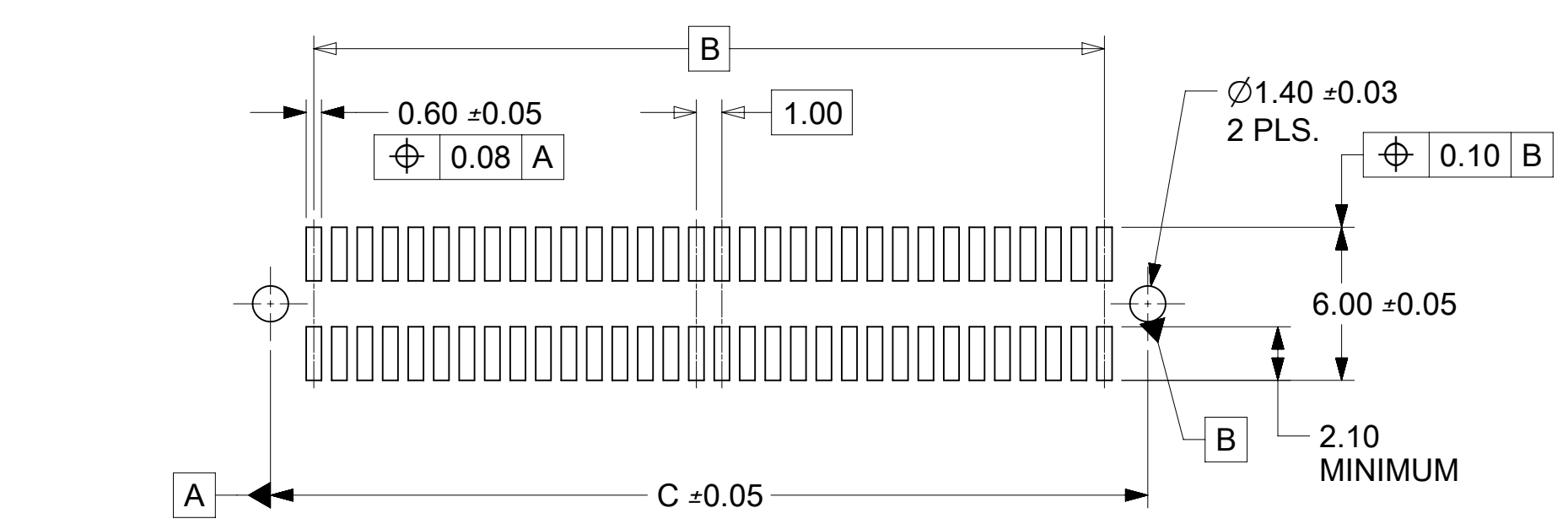
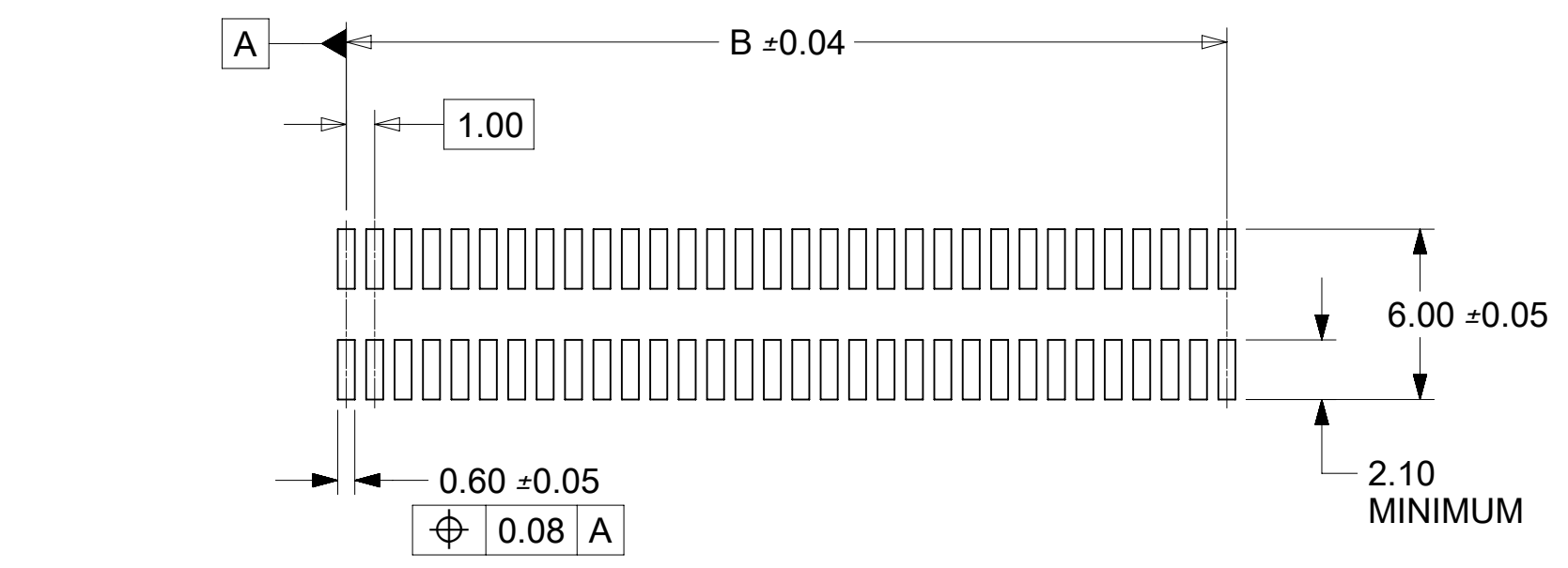


| CIRCUIT SIZE | DIM.A | DIM.B | DIM.C | DIM.D |
|--------------|-------|-------|-------|-------|
| 20 | 13.90 | 9.00 | 12.40 | 12.22 |
| 30 | 18.90 | 14.00 | 17.40 | 17.22 |
| 40 | 23.90 | 19.00 | 22.40 | 22.22 |
| 50 | 28.90 | 24.00 | 27.40 | 27.22 |
| 60 | 33.90 | 29.00 | 32.40 | 32.22 |
| 64 | 35.90 | 31.00 | 34.40 | 34.22 |
| 70 | 38.90 | 34.00 | 37.40 | 37.22 |
| 80 | 43.90 | 39.00 | 42.40 | 42.22 |
| 84 | 45.90 | 41.00 | 44.40 | 44.22 |
| 90 | 48.90 | 44.00 | 47.40 | 47.22 |
| 100 | 53.90 | 49.00 | 52.40 | 52.22 |
| 110 | 58.90 | 54.00 | 57.40 | 57.22 |
| 120 | 63.90 | 59.00 | 62.40 | 62.22 |



RECOMMENDED PCB LAYOUT
(WITH AND WITHOUT PEGS)
RECOMMENDED PCB THICKNESS: 1.00±0.10

NOTES

- HOUSING MATERIAL: LIQUID CRYSTAL POLYMER(LCP) GLASS FILLED; UL RATING; 94V-0; COLOR: WHITE OR BLACK. TERMINAL MATERIAL: PHOSPHOR BRONZE; 0.205 THICK. VACUUM CAP MATERIAL: STAINLESS STEEL; 0.255 THICK.
- PLATING FINISHES: SEE SHEET 2
- PRODUCT SPECIFICATION: PS-71436-999
- PACKAGING SPECIFICATIONS: REFER TO CHART ON SHEET 2.
- MATES WITH: 71436 SERIES. SEE SHEET 2 FOR MATING VIEW AND STACK HEIGHT.
- PEGS ARE OPTIONAL. REFER TO CHART ON SHEET 2.
- VACUUM PICK & PLACE CAP IS OPTIONAL. REFER TO CHART ON SHEET 2.
- THIS PART CONFORMS TO EIA STANDARD 700 AAAB FOR 1.0mm TWO-PART CONNECTORS FOR USE WITH PARALLEL PRINTED BOARDS.
- COPLANARITY OF SMT TAILS: 0.10mm MAXIMUM.
- 64-CIRCUIT RECEPTACLE ASSEMBLY WITH PEGS AND VACUUM CAP SHOWN FOR ILLUSTRATION PURPOSES ONLY.
- ASSEMBLY TO HAVE DATE CODE: XX XX
WEEK YEAR

THIS DRAWING CONTAINS INFORMATION THAT IS PROPRIETARY TO MOLEX ELECTRONIC TECHNOLOGIES, LLC AND SHOULD NOT BE USED WITHOUT WRITTEN PERMISSION

| | | | | | | |
|--|------------------------|---------------------------------|----------------------------|--------------------------|----------------------|--|
| DIMENSION UNITS: mm | SCALE: 4:1 | CURRENT REV DESC: REDRAWN IN NX | molex | | | |
| GENERAL TOLERANCES (UNLESS SPECIFIED) | | EC NO: 610884 | | | | SALES ASSY, 1.0MM BOARD TO BOARD RECEPTACLE CONNECTOR 10.30 HIGH |
| ANGULAR TOL: ± 0.5° | 4 PLACES: ± | DRWN: TTAO03 2019/01/23 | PRODUCT CUSTOMER DRAWING | | | |
| 3 PLACES: ± | 2 PLACES: ± 0.13 | CHK'D: JKACHLIC 2019/02/01 | DOCUMENT NUMBER: 714393000 | DOC TYPE: PSD | DOC PART: 000 | REVISION: A1 |
| 1 PLACE: ± 0.25 | 0 PLACES: ± | APPR: JKACHLIC 2019/02/01 | MATERIAL NUMBER: SEE TABLE | CUSTOMER: GENERAL MARKET | SHEET NUMBER: 1 OF 2 | |
| DRAFT WHERE APPLICABLE MUST REMAIN WITHIN DIMENSIONS | THIRD ANGLE PROJECTION | DRAWING: C-SIZE | SERIES: 71439 | | | |

WHITE (NATURAL) MATERIAL

| CIRCUIT SIZE | RECEPTACLE ASSY. PART NUMBER | PEGS | CONTACT PLATING (SEE PLATING NOTES) | PICK & PLACE CAP | PACKAGING SPEC. NUMBER | PACKAGING TYPE |
|--------------|------------------------------|------|-------------------------------------|------------------|------------------------|----------------|
| 64 | 71439-3164 | YES | 30 GOLD | NO | PK-70873-0693 | TUBE |
| 64 | 71439-3364 | YES | 30 GOLD | YES | PK-70873-0693 | TUBE |
| 64 | 71439-3464 | YES | 30 GOLD | YES | PK-70873-063 | TAPE & REEL |
| 64 | 71439-3564 | NO | 30 GOLD | NO | PK-70873-0692 | TUBE |
| 64 | 71439-3764 | NO | 30 GOLD | YES | PK-70873-0692 | TUBE |
| 64 | 71439-3864 | NO | 30 GOLD | YES | PK-70873-063 | TAPE & REEL |
| 64 | 71439-3264 | NO | 50 GOLD | YES | PK-70873-063 | TAPE & REEL |

RECOMMENDED PLUG/RECEPTACLE COMBINATION FOR MATED STACK HEIGHT PER EIA STANDARD 700 AAAB

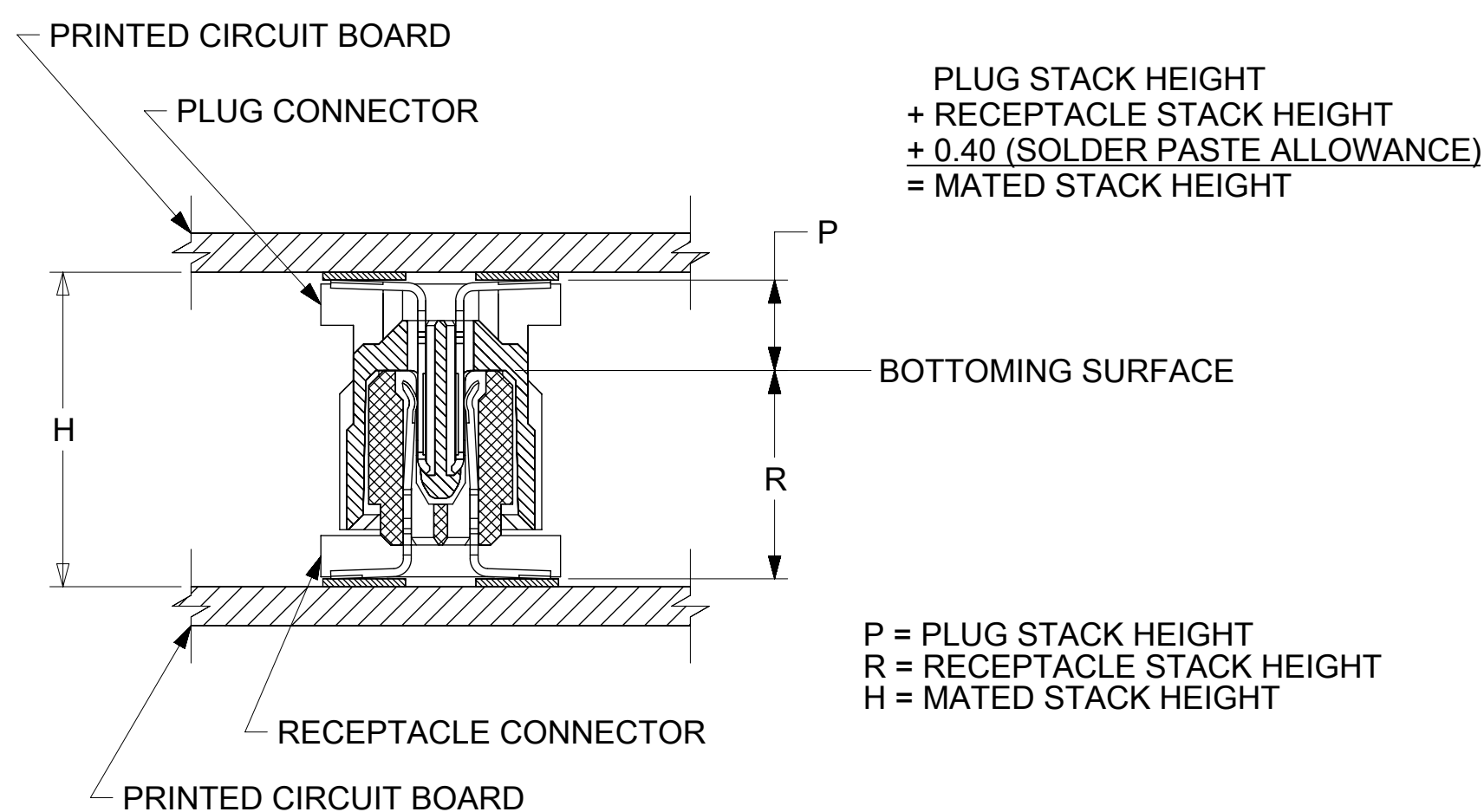
| MATED STACK HEIGHT | RECEPTACLE HEIGHT | RECEPTACLE SERIES NO. | PLUG HEIGHT | PLUG SERIES NO. |
|--------------------|-------------------|-----------------------|-------------|-----------------|
| 14.00 | 10.30 | 71439-3*** | 3.30 | 71436-1*** |
| 15.00 | 10.30 | 71439-3*** | 4.30 | 71436-2*** |

PLATING NOTES :

30 GOLD - SELECTIVE GOLD (Au) IN THE CONTACT AREA; THICKNESS = 0.76 MICROMETER MINIMUM ; SELECTIVE TIN (Sn) IN THE CONTACT AREA; THICKNESS = 1.88 MICOMETER MINIMUM; NICKEL UNDERPLATE OVERALL;

50 GOLD - SELECTIVE GOLD (Au) IN THE CONTACT AREA; THICKNESS = 1.27 MICROMETER MINIMUM ; SELECTIVE TIN (Sn) IN THE CONTACT AREA; THICKNESS = 1.88 MICOMETER MINIMUM; NICKEL UNDERPLATE OVERALL;

*THE PRIMARY SHIPPING CARTON WILL BE LABELED "COMPLIANT TO RoHS DIRECTIVE 2002/95/EC AND ELV ANNEX II OF DIRECTIVE 2000/53/EC". CARTONS WITHOUT THIS LABEL MAY CONTAIN PRODUCT WITH LEAD.



| | | | | | | | | | |
|---|--------|---------------------------------|--|---------|--|-----------------|--|----------------|--------------|
| THIS DRAWING CONTAINS INFORMATION THAT IS PROPRIETARY TO MOLEX ELECTRONIC TECHNOLOGIES, LLC AND SHOULD NOT BE USED WITHOUT WRITTEN PERMISSION | | | | | | | | | |
| DIMENSION UNITS | SCALE | CURRENT REV DESC: REDRAWN IN NX | | | | | | | |
| mm | --- | | | | | | | | |
| GENERAL TOLERANCES (UNLESS SPECIFIED) | | EC NO: 610884 | | | SALES ASSY, 1.0MM BOARD TO BOARD RECEPTACLE CONNECTOR 10.30 HIGH | | | | |
| ANGULAR TOL | ± 0.5° | DRWN: TTAO03 2019/01/23 | | | PRODUCT CUSTOMER DRAWING | | | | |
| 4 PLACES | ± | CHK'D: JKACHLIC 2019/02/01 | | | DOCUMENT NUMBER | | | | |
| 3 PLACES | ± | APPR: JKACHLIC 2019/02/01 | | | 714393000 | | | | |
| 2 PLACES | ± 0.13 | INITIAL REVISION: | | | DOC TYPE | | | | |
| 1 PLACE | ± 0.25 | DRWN: REED 1995/04/03 | | | PSD | | | | |
| 0 PLACES | ± | APPR: BIXLER 1995/04/03 | | | DOC PART | | | | |
| DRAFT WHERE APPLICABLE MUST REMAIN WITHIN DIMENSIONS | | THIRD ANGLE PROJECTION | | DRAWING | SERIES | MATERIAL NUMBER | | CUSTOMER | SHEET NUMBER |
| | | | | C-SIZE | 71439 | SEE TABLE | | GENERAL MARKET | 2 OF 2 |
| | | | | | | | | | |

WHITE (NATURAL) MATERIAL

| CIRCUIT SIZE | RECEPTACLE ASSY. ITEM NUMBER | PEGS | CONTACT PLATING (SEE PLATING NOTES) | PICK & PLACE CAP | PACKAGING SPEC. NUMBER | PACKAGING TYPE |
|--------------|------------------------------|------|-------------------------------------|------------------|------------------------|----------------|
| 64 | 71439-3164 | YES | 30 GOLD | NO | PK-70873-0693 | TUBE |
| 64 | 71439-3364 | YES | 30 GOLD | YES | PK-70873-0693 | TUBE |
| 64 | 71439-3464 | YES | 30 GOLD | YES | PK-70873-063 | TAPE & REEL |
| 64 | 71439-3564 | NO | 30 GOLD | NO | PK-70873-0692 | TUBE |
| 64 | 71439-3764 | NO | 30 GOLD | YES | PK-70873-0692 | TUBE |
| 64 | 71439-3864 | NO | 30 GOLD | YES | PK-70873-063 | TAPE & REEL |
| 64 | 71439-3264 | NO | 50 GOLD | YES | PK-70873-063 | TAPE & REEL |

PLATING NOTES:

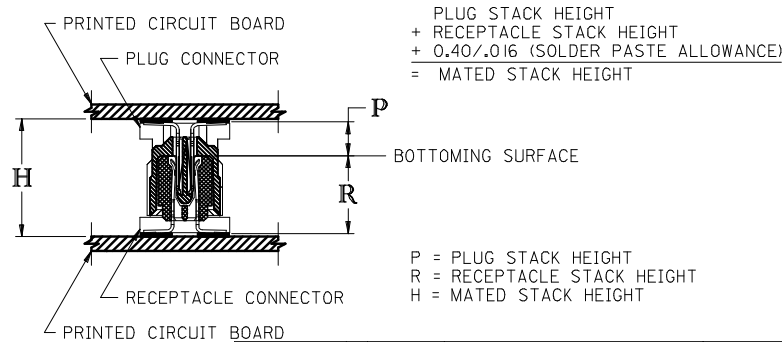
30 GOLD: SELECTIVE GOLD (Au) IN THE CONTACT AREA;
THICKNESS = 0.76 MICROMETERS (30 MICROINCHES) MINIMUM;
SELECTIVE TIN (Sn) IN THE PC TAIL AREA;
THICKNESS = 1.88 MICROMETERS (75 MICROINCHES) MINIMUM;
NICKEL UNDERPLATE OVERALL.

50 GOLD: SELECTIVE GOLD (Au) IN THE CONTACT AREA;
THICKNESS = 1.27 MICROMETERS (50 MICROINCHES) MINIMUM;
SELECTIVE TIN (Sn) IN THE PC TAIL AREA;
THICKNESS = 1.88 MICROMETERS (75 MICROINCHES) MINIMUM;
NICKEL UNDERPLATE OVERALL.

*THE PRIMARY SHIPPING CARTON WILL BE LABELED 'COMPLIANT TO RoHS DIRECTIVE 2002/95/EC AND ELV ANNEX II OF DIRECTIVE 2000/53/EC'. CARTONS WITHOUT THIS LABEL MAY CONTAIN PRODUCT WITH LEAD.

RECOMMENDED PLUG/RECEPTACLE COMBINATION FOR MATED STACK HEIGHT PER EIA STANDARD 700 AAAB

| MATED STACK HEIGHT | RECEPTACLE HEIGHT | RECEPTACLE SERIES NO. | PLUG HEIGHT | PLUG SERIES NO. |
|--------------------|-------------------|-----------------------|-------------|-----------------|
| 14.00/.551 | 10.30/.406 | 71439-3*** | 3.30/.130 | 71436-1*** |
| 15.00/.591 | 10.30/.406 | 71439-3*** | 4.30/.169 | 71436-2*** |



| | | | | | | | |
|---|-----------------|---|---|---|--|------------------------|--|
| CORRECT DESIGN UNITS EC NO: UCP2008-2484 DRAWN:MSI/BARRA 2008/04/22 CHKD:BBARKER 2008/05/06 APPR:SMILLER 2008/05/06 | QUALITY SYMBOLS | GENERAL TOLERANCES (UNLESS SPECIFIED) | DIMENSION STYLE | SCALE | DESIGN UNITS | THIRD ANGLE PROJECTION | |
| | ▽=0 ▽=0 | mm INCH | MM/IN | --- | METRIC | | |
| | | 4 PLACES ±--- ±--- 3 PLACES ±--- ±--- 2 PLACES ±--- ±--- 1 PLACE ±--- ±--- | DRAWN BY REED CHECKED BY REED APPROVED BY BIXLER | DATE 1995/03/23 DATE 1995/03/23 DATE 1995/03/23 | TITLE ASSY 1.0MM BOARD-T-BOARD RECEPTACLE CONNECTOR 10.30/406 STACK HEIGHT | | |
| | | ANGULAR ±1/2° | MATERIAL NO. SEE TABLE | DOCUMENT NO. SDA-71439-3*** | MOLEX INCORPORATED | | |
| | | DRAFT WHERE APPLICABLE MUST REMAIN WITHIN DIMENSIONS | THIS DRAWING CONTAINS INFORMATION THAT IS PROPRIETARY TO MOLEX INCORPORATED AND SHOULD NOT BE USED WITHOUT WRITTEN PERMISSION | | | | |