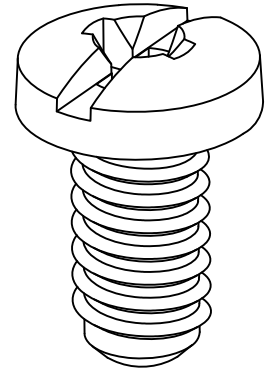
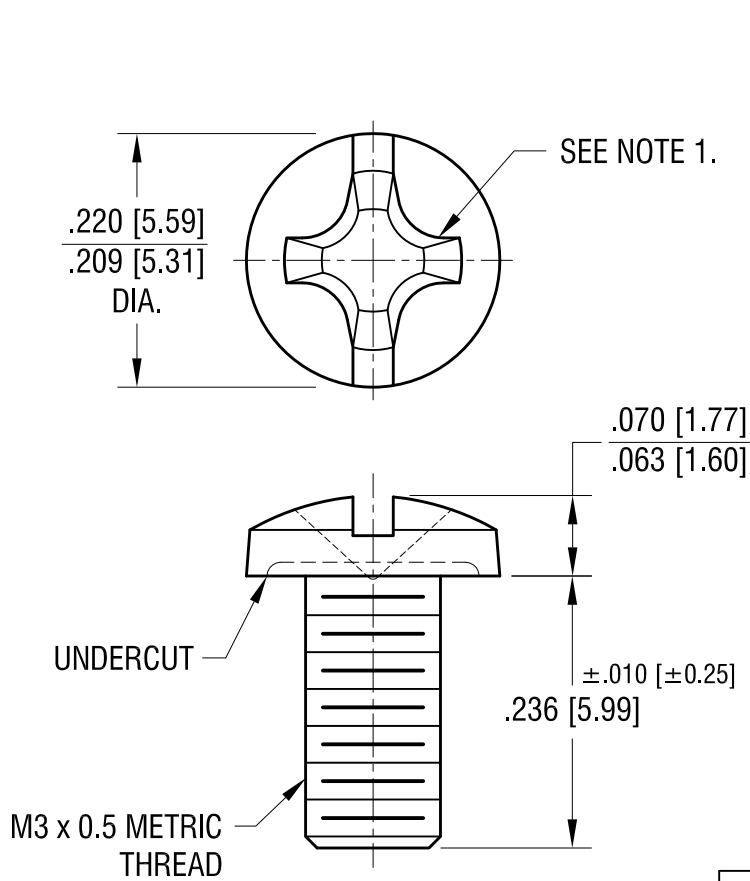


THIS DOCUMENT IS THE PROPERTY OF KEYSTONE ELECTRONICS CORP. AND SHALL NOT BE REPRODUCED, DISTRIBUTED OR USED AS A BASIS FOR MANUFACTURE WITHOUT PRIOR WRITTEN PERMISSION FROM KEYSTONE ELECTRONICS CORP.



PART NO.	HEAD COLOR
9191-2	RED
9191-3	BLACK
9191-4	WHITE
9191-5	BLUE
9191-6	GREEN
9191-7	YELLOW

**NOTE:**

1. TO ACCEPT STANDARD SLOT OR PHILLIPS DRIVE.
2. HEAD OF SCREW IS POWDER COATED WITH COLOR AS INDICATED IN CHART.

**KEYSTONE ELECTRONICS CORP.**  
 www.keyelco.com • ASTORIA, N.Y. 11105-2017 • Tel (718) 956-8900

PART NAME  
**METRIC COMBINATION BINDING HD SCREW**

MATERIAL  
**BRASS**

FINISH <b>NICKEL PLATE</b>	DRN BY NT	DATE 1.26.10
	APP'D LN	SCALE 6X

TOLERANCES INCH [MM]  
 DECIMAL ± .005 [± 0.13 ]  
 ANGULAR ± 1°  
 UNLESS OTHERWISE SPECIFIED

CODE  
**C**

DWG NO.  
**9191-2 - 9191-7**

DATE	DESCRIPTION	REV.

# Mouser Electronics

Authorized Distributor

Click to View Pricing, Inventory, Delivery & Lifecycle Information:

[Keystone Electronics:](#)

[9191-6](#)