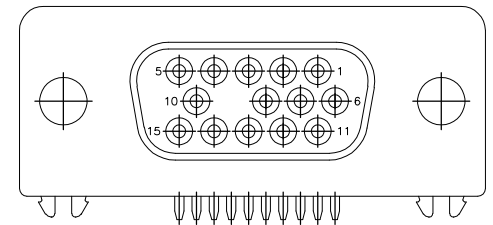
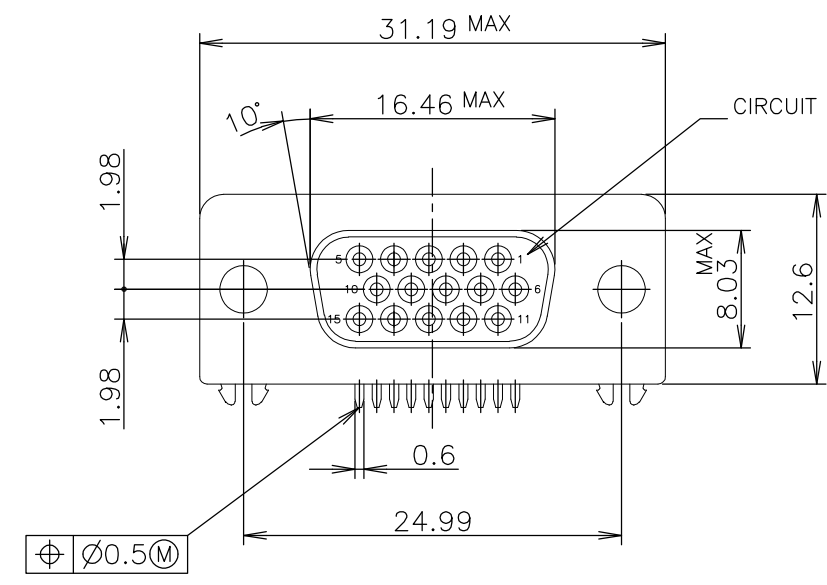
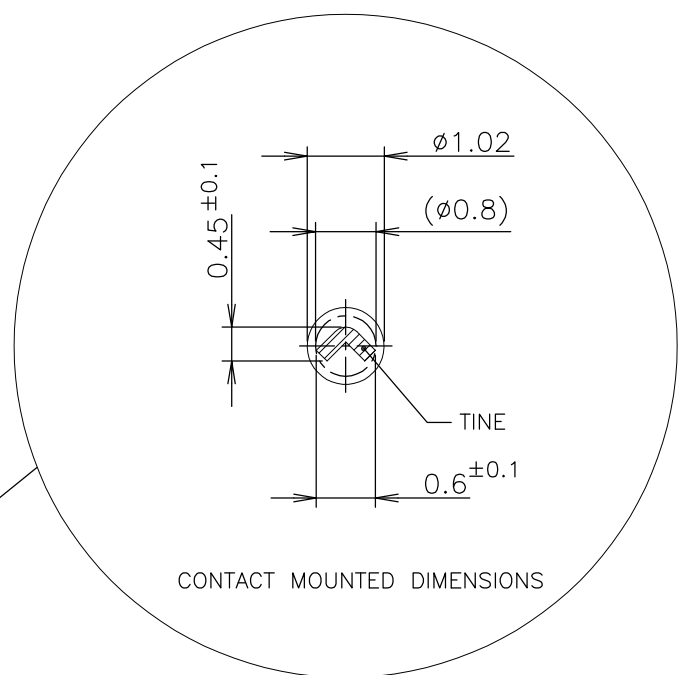
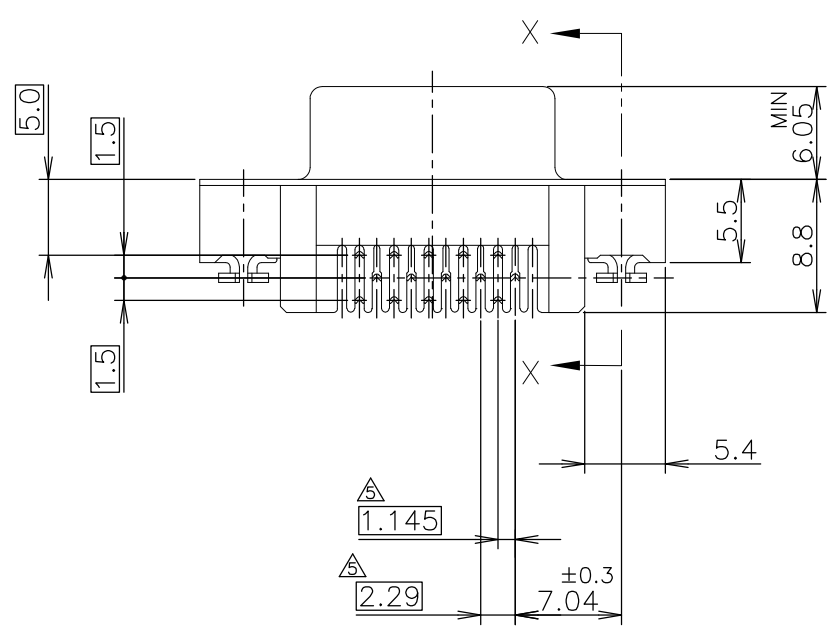


THIS DRAWING IS UNPUBLISHED. RELEASED FOR PUBLICATION MAR, 1993.
 © COPYRIGHT 1993 BY TYCO ELECTRONICS CORPORATION. ALL RIGHTS RESERVED.

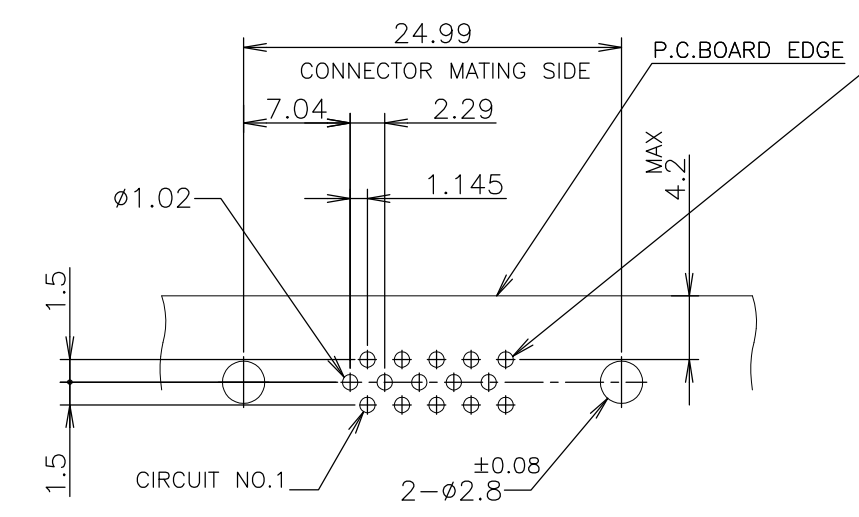
LOC	DIST	REVISIONS					
		P	LTR	DESCRIPTION	DATE	DWN	APVD
J		01		REVISED PER ECO-10-000444	19JAN10	KK	HMR



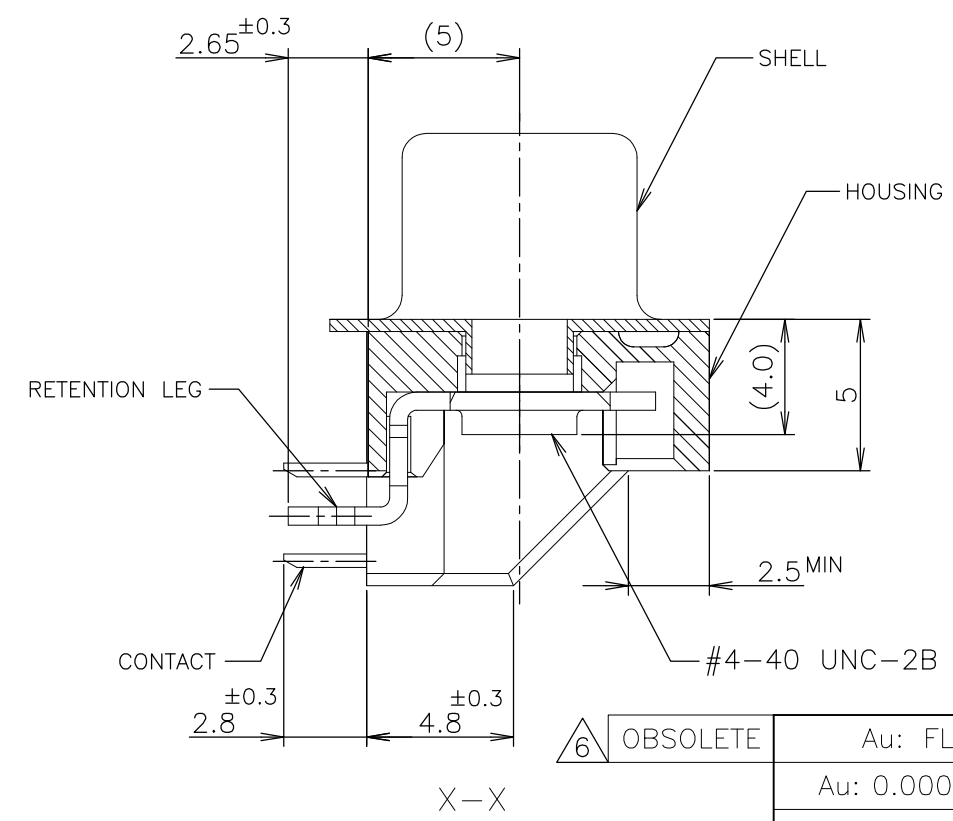
(3-5177802-3 ONLY)



CONTACT MOUNTED DIMENSIONS



P. C. BOARD MOUNTING DIMENSIONS (±0.1)
 THK=0.8~1.6



6 OBSOLETE	Au: FLASH	3	-3
	Au: 0.00076 MIN.		-9
	Au: FLASH	5177802-3	
	FINISH	P/N	

THIS DRAWING IS A CONTROLLED DOCUMENT.		DWN LEO ZHOU 5APR05	Tyco Electronics AMP K.K. Kawasaki, Japan	
DIMENSIONS: mm		CHK STEVEN YAO 5APR05		
TOLERANCES UNLESS OTHERWISE SPECIFIED:		APVD I.ENOMOTO 5APR05	NAME	
0 PLC ± 1 PLC ± 2 PLC ± 3 PLC ± 4 PLC ± ANGLES ±		PRODUCT SPEC	RECEPTACLE ASSY RIGHT ANGLE SIZE 1, 15P LOW PROFILE STD-D P.C.B t=0.8~1.6 DIP AMPLIMITE III-J ULTRA SLIM HD-22	
GENERAL TOLERANCE		APPLICATION SPEC	SIZE	CAGE CODE
10 ≥ : ±0.2 30 ≥ > 10: ±0.25 100 ≥ > 30: ±0.3 ANGLES : ±3°		WEIGHT	A3	00779
MATERIAL SEE NOTE 2		FINISH SEE NOTE 3	DRAWING NO C-5177802	
		CUSTOMER DRAWING	RESTRICTED TO	
		SCALE NTS	SHEET 1 OF 1	REV 01

Mouser Electronics

Authorized Distributor

Click to View Pricing, Inventory, Delivery & Lifecycle Information:

[TE Connectivity:](#)

[5177802-3](#)