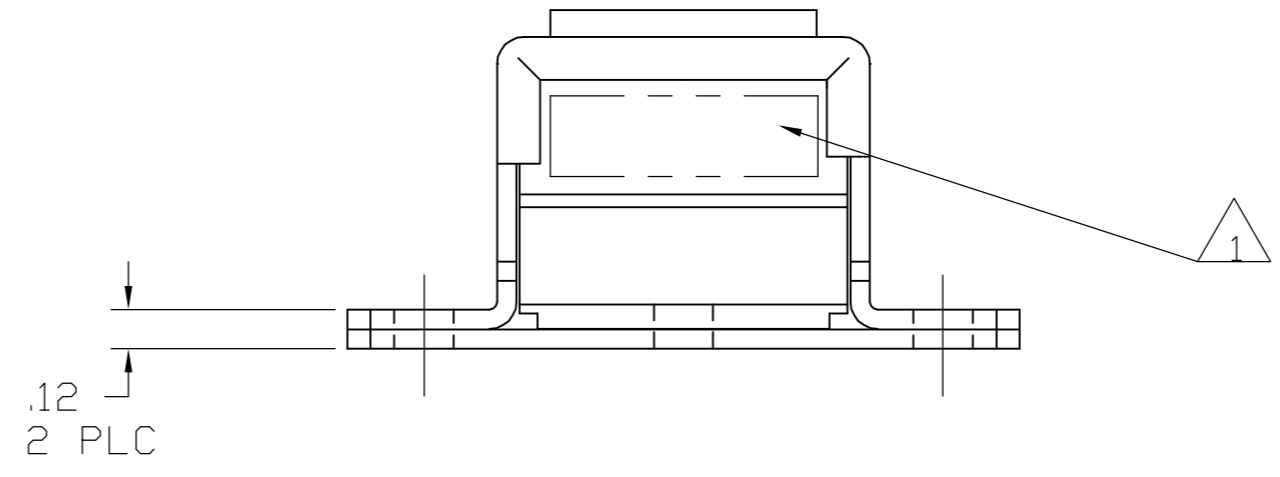
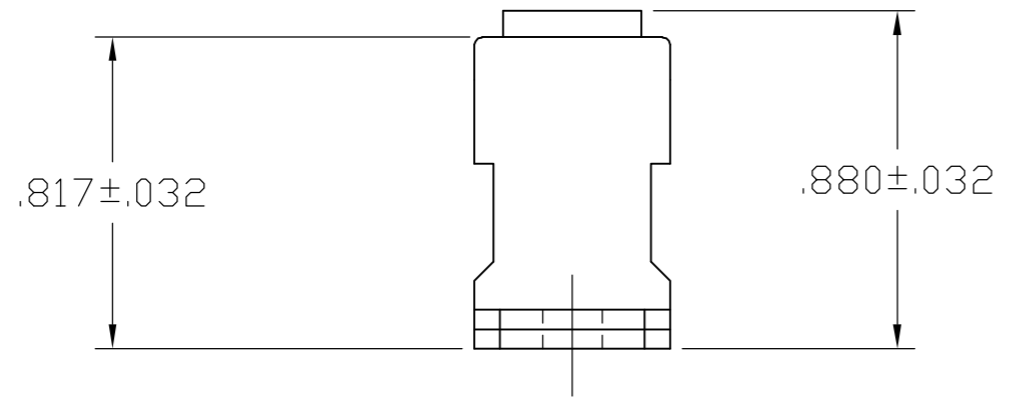
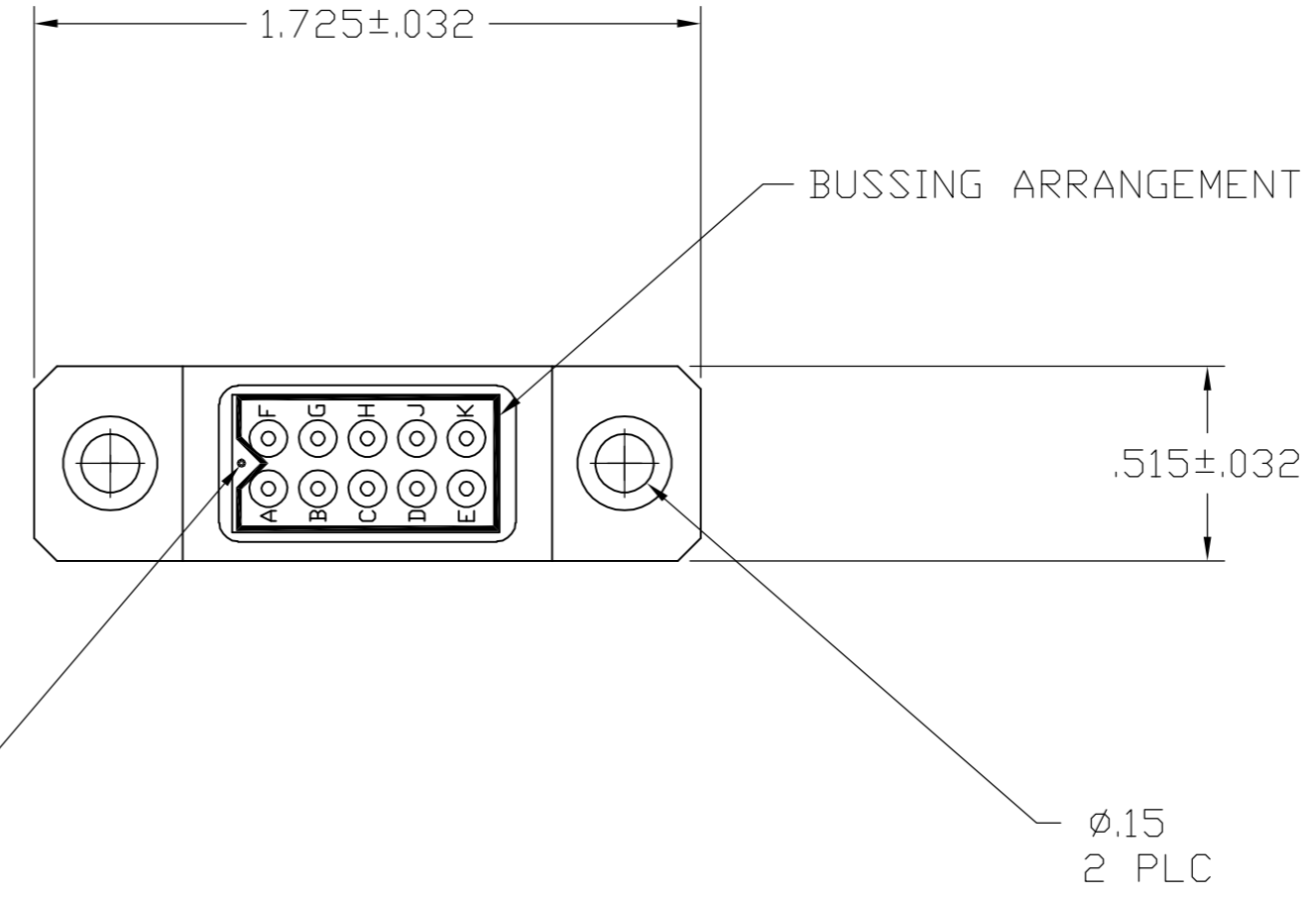


THIS DRAWING IS UNPUBLISHED.		RELEASED FOR PUBLICATION
© COPYRIGHT BY TYCO ELECTRONICS CORPORATION. ALL RIGHTS RESERVED.		
DESCRIPTION	MATERIAL	FINISH
GROMMET	FLUOROSILICONE	COLOR: BLUE
MODULE ASSEMBLY	EPOXY, EPIALL 1908B OR E484 OR FIBERITE E8354	COLOR: BLACK
CONTACT, SOCKET ASSEMBLY	BERYLLIUM COPPER PER ASTM-B194	GOLD PLATE PER MIL-G-45204
CLIP CONTACT RETAINING	BERYLLIUM COPPER PER ASTM-B194 OR STAINLESS STEEL PER QQ-S-766	NONE
BRACKET / GROUNDING PLATE	AL-ALLOY 6061-T4	NICKEL PLATE PER QQ-N-290
CONTACT QTY 11	COPPER ALLOY PER MIL-C-39029/1	GOLD PLATE PER MIL-G-45204
SEALING PLUG QTY 2	F.E.P. PER MIL-P-19468	COLOR: RED

LDC	DIST	REVISIONS					
DF	AO	P	LTR	DESCRIPTION	DATE	DWN	APVD
		C		REV PER ECD 07-001386	1-19-07	CT	DE



- 1 MARK MODULE ASSEMBLY WITH "AMP", AMP PART NO., DATE CODE, AT APPROXIMATE AREA SHOWN.
- 2 CONTACTS AND SEALING PLUGS SUPPLIED WITH MODULE ASSEMBLY.

—	SIZE 22	592836-3
—	SIZE 20	592836-2
2	SIZE 20	592836-1
REMARKS	DESCRIPTION	PART NO.

THIS DRAWING IS A CONTROLLED DOCUMENT.		DWN	C. C. THOMAS	5-26-99	Tyco Electronics Corporation Harrisburg, PA 17105-3608			
DIMENSIONS INCHES		CHK	D. MILLER	5-26-99				
TOLERANCES UNLESS OTHERWISE SPECIFIED:		APVD	D. MILLER	5-26-99				
0 PLC ± - 1 PLC ± - 2 PLC ± .02 3 PLC ± .005 4 PLC ± - ANGLES ± - FINISH SEE TABLE		NAME		PRODUCT SPEC				
MATERIAL SEE TABLE		APPLICATION SPEC		—	SIZE	CAGE CODE	DRAWING NO	RESTRICTED TO
		WEIGHT		—	A2	00779	C-592836	—
		CUSTOMER DRAWING		SCALE	2: 1	SHEET	1 of 1	REV
								C

592836

Mouser Electronics

Authorized Distributor

Click to View Pricing, Inventory, Delivery & Lifecycle Information:

[TE Connectivity:](#)

[592836-1](#)