

4

3

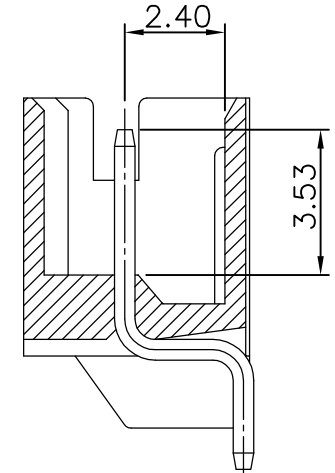
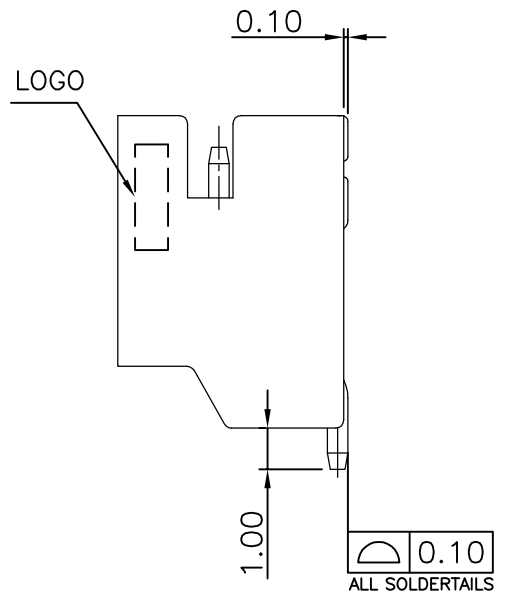
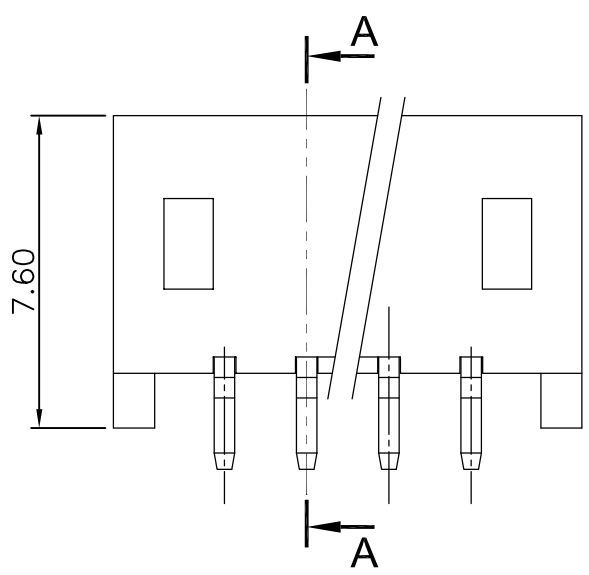
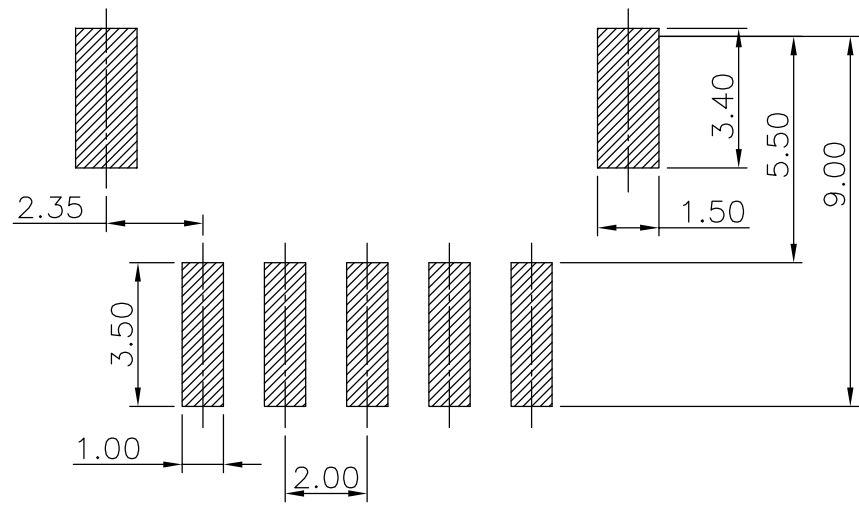
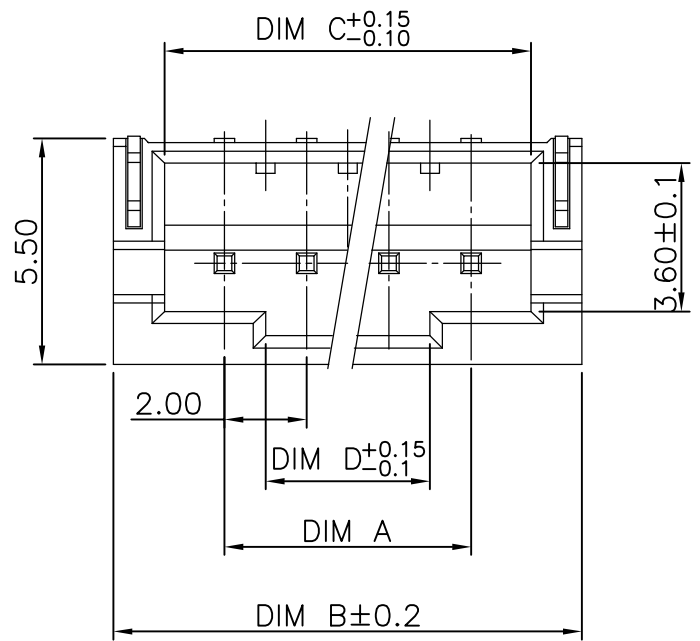
2

1

THIS DRAWING IS UNPUBLISHED. RELEASED FOR PUBLICATION

© COPYRIGHT BY TYCO ELECTRONICS CORPORATION. ALL RIGHTS RESERVED.

LOC	DIST	REVISIONS					
DW	-	P	LTR	DESCRIPTION	DATE	DWN	APVD
		A4		RELEASED (ECR-15-015517)	22OCT15	A.Z	WK



B	28.00	32.90	35.40	30.00	16P	3-1775469-6
	26.00	30.90	33.40	28.00	15P	3-1775469-5
	24.00	28.90	31.40	26.00	14P	3-1775469-4
	22.00	26.90	29.40	24.00	13P	3-1775469-3
	20.00	24.90	27.40	22.00	12P	3-1775469-2
	18.00	22.90	25.40	20.00	11P	3-1775469-1
	16.00	20.90	23.40	18.00	10P	3-1775469-0
	14.00	18.90	21.40	16.00	9P	2-1775469-9
	12.00	16.90	19.40	14.00	8P	2-1775469-8
	10.00	14.90	17.40	12.00	7P	2-1775469-7
	8.00	12.90	15.40	10.00	6P	2-1775469-6
	6.00	10.90	13.40	8.00	5P	2-1775469-5
	4.00	8.90	11.40	6.00	4P	2-1775469-4
	2.00	6.90	9.40	4.00	3P	2-1775469-3
	0.60	4.90	7.40	2.00	2P	2-1775469-2
	A	28.00	32.90	35.40	30.00	16P
26.00		30.90	33.40	28.00	15P	1-1775469-5
24.00		28.90	31.40	26.00	14P	1-1775469-4
22.00		26.90	29.40	24.00	13P	1-1775469-3
20.00		24.90	27.40	22.00	12P	1-1775469-2
18.00		22.90	25.40	20.00	11P	1-1775469-1
16.00		20.90	23.40	18.00	10P	1-1775469-0
14.00		18.90	21.40	16.00	9P	1775469-9
12.00		16.90	19.40	14.00	8P	1775469-8
10.00		14.90	17.40	12.00	7P	1775469-7
8.00		12.90	15.40	10.00	6P	1775469-6
6.00		10.90	13.40	8.00	5P	1775469-5
4.00		8.90	11.40	6.00	4P	1775469-4
2.00		6.90	9.40	4.00	3P	1775469-3
0.60		4.90	7.40	2.00	2P	1775469-2
THICKNESS		DIM D	DIM C	DIM B	DIM A	POS

NOTE:

- MATERIAL :
HOUSING : PA9T, UL 94V-0, COLOR: NATURAL.
CONTACT : BRASS, THICKNESS=0.50mm.
- FINISH:
CONTACT : Δ 2um [80u"] MIN. MATTE TIN PLATED OVER
1.27um [50u"] MIN. NICKEL UNDERPLATED ALL OVER.
 Δ GOLD FLASH OVER 1.27um [50u"] MIN. NICKEL UNDERPLATED ALL OVER.
- REFLOW SOLDER CAPABLE TO 260°C PER TE CONNECTIVITY SPEC 109-201, CONDITION B.

THIS DRAWING IS A CONTROLLED DOCUMENT.

DWN	O. HU	01NOV2006	 TE Connectivity	NAME HPI CONN., 2.0MM PITCH, R/A, SMT TYPE			
CHK	S. HOU	01NOV2006					
APVD	W.J. KE	01NOV2006					
PRODUCT SPEC	108-57100	QUALIFICATION TEST REPORT					
MATERIAL	SEE NOTE	FINISH	SEE NOTE	RESTRICTED TO			
WEIGHT	--	SIZE	A3	CAGE CODE	00779	DRAWING NO	C=1775469
CUSTOMER DRAWING	SCALE	--	SHEET	1	OF 2	REV	A4

4

3

2

1

THIS DRAWING IS UNPUBLISHED.

RELEASED FOR PUBLICATION

LOC

DIST

REVISIONS

© COPYRIGHT BY TYCO ELECTRONICS CORPORATION. ALL RIGHTS RESERVED.

DW

P

LTR

DESCRIPTION

DATE

DWN

APVD

SEE SHEET 1.

46

330

WIDE COVER TAPE AROUND OUT PERIPHERY 1 TURN

165° ~ 180° PEELING ANGLE

WITHOUT CHARGE 240mm

WITH PRODUCT CHARGE 600PCS/REEL

WITHOUT CHARGE 240mm

341mm(L)*341mm(W)*221mm(H)

4.00

4.00

16.00

6.45

DIM E

Ø1.50

DIM E	PCS/CARTON	PCS/REEL	POS	PART NUMBER
56.00	1,800	600	16P	3-1775469-6
	1,800	600	15P	3-1775469-5
	1,800	600	14P	3-1775469-4
44.00	1,800	600	13P	3-1775469-3
	2,400	600	12P	3-1775469-2
	2,400	600	11P	3-1775469-1
	2,400	600	10P	3-1775469-0
	2,400	600	9P	2-1775469-9
	2,400	600	8P	2-1775469-8
32.00	2,400	600	7P	2-1775469-7
	3,000	600	6P	2-1775469-6
	3,000	600	5P	2-1775469-5
	3,000	600	4P	2-1775469-4
	3,000	600	3P	2-1775469-3
56.00	3,000	600	2P	2-1775469-2
	1,500	600	16P	1-1775469-6
	1,800	600	15P	1-1775469-5
	1,800	600	14P	1-1775469-4
	1,800	600	13P	1-1775469-3
	2,400	600	12P	1-1775469-2
44.00	2,400	600	11P	1-1775469-1
	2,400	600	10P	1-1775469-0
	2,400	600	9P	1775469-9
	2,400	600	8P	1775469-8
	2,400	600	7P	1775469-7
32.00	2,400	600	6P	1775469-6
	3,000	600	5P	1775469-5
	3,000	600	4P	1775469-4
	3,000	600	3P	1775469-3
	3,000	600	2P	1775469-2

THIS DRAWING IS A CONTROLLED DOCUMENT.

DWN O. HU 01NOV2006

CHK S. HOU 01NOV2006

APVD W.J. KE 01NOV2006

PRODUCT SPEC

APPLICATION SPEC

WEIGHT

CUSTOMER DRAWING

DIMENSIONS:
MM

MATERIAL

TOLERANCES UNLESS OTHERWISE SPECIFIED:

0 PLC	± -
1 PLC	± -
2 PLC	± -
3 PLC	± -
4 PLC	± -
ANGLES	± -
FINISH	-

FINISH

NAME			
HPI CONN., 2.0MM PITCH, R/A, SMT TYPE			
SIZE	CAGE CODE	DRAWING NO	RESTRICTED TO
A3		C=1775469	-

SCALE	SHEET	REV
-	2 of 2	A4

AMP 1470-19 REV 31MAR2000

Mouser Electronics

Authorized Distributor

Click to View Pricing, Inventory, Delivery & Lifecycle Information:

[TE Connectivity:](#)

[1-1775469-0](#)