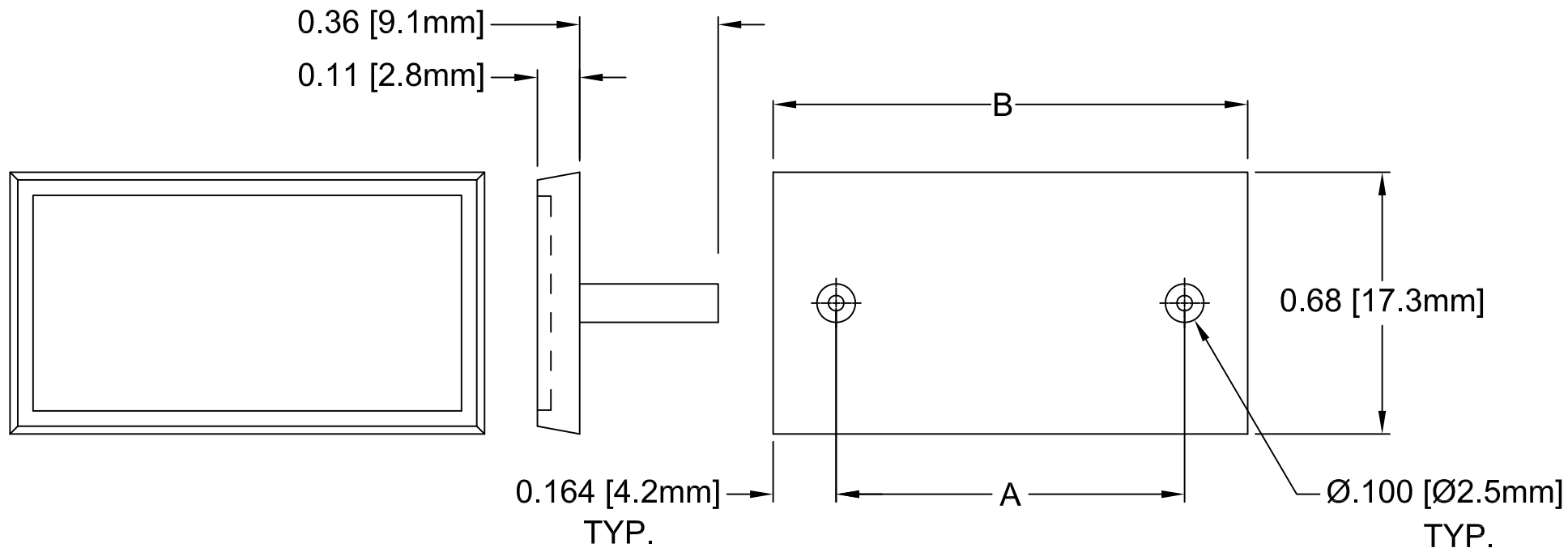


REV.	DESCRIPTION	DATE	APPROVED
A	Engineering Update w/o Changes	02/13/04	M. C.
B	Material Update	02/10/06	M. C.
C	Changed Material from 43-BK to 08-BK	06/27/07	M. C.
D	Part Number Update	01/10/11	T. Y.


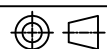


PART NO.	A	B	CLIP NO.
12-14R	1.417 (36.0mm)	1.745 (44.3mm)	SSC-1
12-36R	2.352 (59.7mm)	2.680 (68.1mm)	SSC-1
12-50R	2.947 (74.9mm)	3.275 (83.2mm)	SSC-1

2. MATERIAL: ABS, 94V-0, BLACK. BIVAR MATERIAL CODE 08-BK.

GE PLASTICS ABS, CYCOLAC KJW, 94V-0, BLACK

1. GENERAL SPECIFICATIONS: BIVAR MOLDED COMPONENT SPECIFICATION BV00-E101.

STANDARD TOLERANCE (UNLESS OTHERWISE SPECIFIED)		 4 THOMAS, IRVINE, CA. 92618 TEL: (949) 951-8808 FAX: (949) 951-3974	
DECIMALS	ANGULAR		
.X ± .1	X° ± 1°		TITLE: CONNECTOR CUT-OUT COVER
.XX ± .01			DESIGNED: Ty Yin
.XXX ± .005			DATE: 02/13/04
DESIGNED: Ty Yin	DATE: 02/13/04	REVISION: D	PART NO: 12-XX
CHECKED: D. Green	DATE: 02/13/04	CAGE CODE : 32559	SHEET # 1 OF 1

CAD GENERATED DOCUMENT, DO NOT MEASURE DRAWING.

Mouser Electronics

Authorized Distributor

Click to View Pricing, Inventory, Delivery & Lifecycle Information:

[BIVAR:](#)

[12-36R](#)