

TECHNICAL CHARACTERISTICS

MATERIAL
 INSULATOR: PBT
 FLAMMABILITY RATING: UL94-V0
 COLOR: BLACK
 CONTACT MATERIAL: COPPER ALLOYS
 CONTACT TYPE: STAMPED
 CONTACT PLATING: SELECTIVE GOLD
 QUALITY CLASS: 3 AS PER CECC 75 301-802
 PITCH: 2.54 MM
 AWG: 28 / 1.27 MM RIBBON FLAT CABLE

ENVIRONMENTAL
 OPERATING TEMPERATURE: -40 UP TO 125°C
 COMPLIANCE: LEAD FREE AND ROHS

ELECTRICAL
 CURRENT RATING: 1A MAX
 WORKING VOLTAGE: 250 VAC
 INSULATOR RESISTANCE: >1000 MOHM
 DIELECTRIC WITHSTANDING VOLTAGE: 500 VAC/MN
 CONTACT RESISTANCE: 20 MOHM MAX

STANDARD
 CERTIFIED: E323964



PACKAGING
 TRAY + BAG FOR STRAIN RELIEF

DIMENSION

NB. PINS	A	B	NB. PINS	A	B
6	5.08	12.30	24	27.94	35.16
8	7.62	14.84	26	30.48	37.70
10	10.16	17.38	34	40.64	47.86
14	15.24	22.46	40	48.26	55.48
16	17.78	25.00	50	60.96	68.18
20	22.86	30.08	60	73.66	80.88
			64	78.74	85.96

NOTE:

Connectors from this series are designed to be used along with Würth Elektronik counterparts and tools. Würth Elektronik cannot insure the reliability of these components while being used with other products.

RoHS Compliant				PROJECTION:	GENERAL TOLERANCE	 WÜRTH ELEKTRONIK	DESCRIPTION: 2.54MM FEMALE IDC CONNECTEUR WITH STRAIN RELIEF WERI PART NO: 612 0xx 230 21	SIZE A4
				.X = +/- 0.2 .XX = +/- 0.15				
J	07-SEP-16	NOTE	AK	APPROVAL: GMo	UNIT: MM			
I	09-DEC-15	TPK	AK		SCALE:			
H	22-JUN-12	AWG	GG		SHEET: 1/3			
REV	DATE	FILE	BY		DRAW: MIKE			

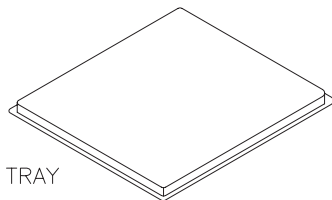
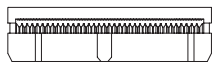
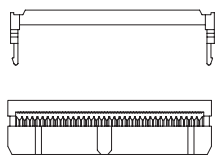
1

2

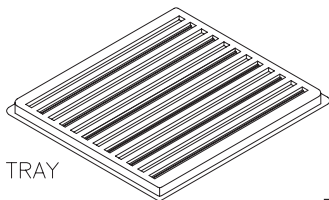
3

4

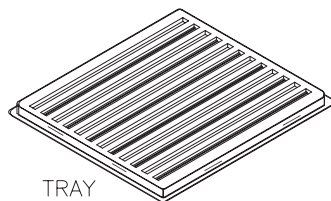
5



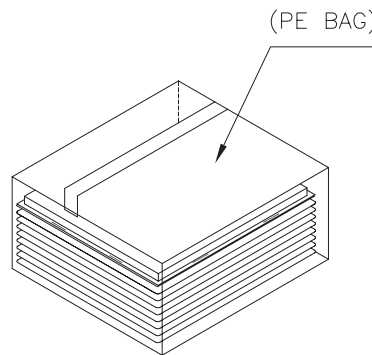
COVER TRAY



BOTTOM TRAY

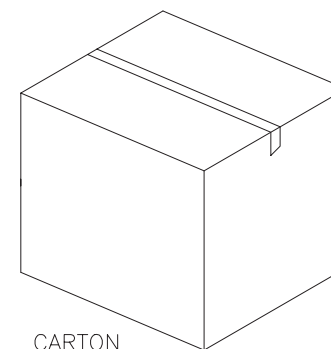


TRAY

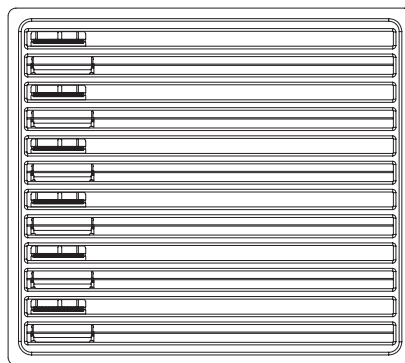


(PE BAG)

XX TRAYS



CARTON



TRAY

Note:

1.Dimension:

Tray Size:310(L)x274(W)x8.5(H)MM

Carton Size: 320(L)x290(W)x380(H)MM

2.Quantity

2 Inner Carton/Carton

CIRCUITS	PCS/TARY	Q'TY	CIRCUITS	PCS/TARY	Q'TY
6	132	5808	24	48	2112
8	114	5016	26	42	1848
10	96	4224	30	36	1584
12	84	3696	34	30	1320
14	72	3168	36	30	1320
15	66	2904	40	30	1320
16	66	2904	50	24	1056
18	60	2640	60	18	792
20	54	2376	64	18	792

RoHS Compliant

PROJECTION:



GENERAL TOLERANCE

.X = +/- 0.2

.XX = +/- 0.15



APPROVAL: GMo

UNIT: MM

SCALE:

SHEET: 2/3

DRAW: MIKE

DESCRIPTION: 2.54MM FEMALE IDC CONNECTEUR WITH STRAIN RELIEF

WERI PART NO: 612 0xx 230 21

SIZE

A4

REV	DATE	FILE	BY
G			
F			
E			
D			
C			
B			
A			

1

2

3

4

5

Cautions and Warnings:

This electronic component is designed and developed with the intention for use in general electronics equipments.

Before incorporating the components into any equipments in the field such as aerospace, aviation, nuclear control, submarine, transportation, (automotive control, train control, ship control), transportation signal, disaster prevention, medical, public information network etc. where higher safety and reliability are especially required or if there is possibility of direct damage or injury to human body, Würth Elektronik must be asked for a written approval.

In addition, even electronic component in general electronic equipments, when used in electrical circuits that require high safety, reliability functions or performance, the sufficient reliability evaluation-check for the safety must be performed before by the user before usage.

A

B

C

RoHS Compliant

G				PROJECTION: 	GENERAL TOLERANCE .X = +/- 0.2 .XX = +/- 0.15		
F							
E							
D							
C				APPROVAL: JC	UNIT: MM	DESCRIPTION: DISCLAIMER	SIZE A4
B					SCALE:		
A	10-SEP-14	PDF	QL		SHEET: 3/3	WERI PART NO: DISCLAIMER	
REV	DATE	FILE	BY		DRAW: QL		

D

Mouser Electronics

Authorized Distributor

Click to View Pricing, Inventory, Delivery & Lifecycle Information:

Würth Electronics:

[61202023021](#) [61202623021](#) [61201023021](#) [61201623021](#) [61205023021](#) [61204023021](#) [61206023021](#)
[61200823021](#) [61202423021](#) [61206423021](#) [61201423021](#) [61203423021](#) [61200623021](#)