

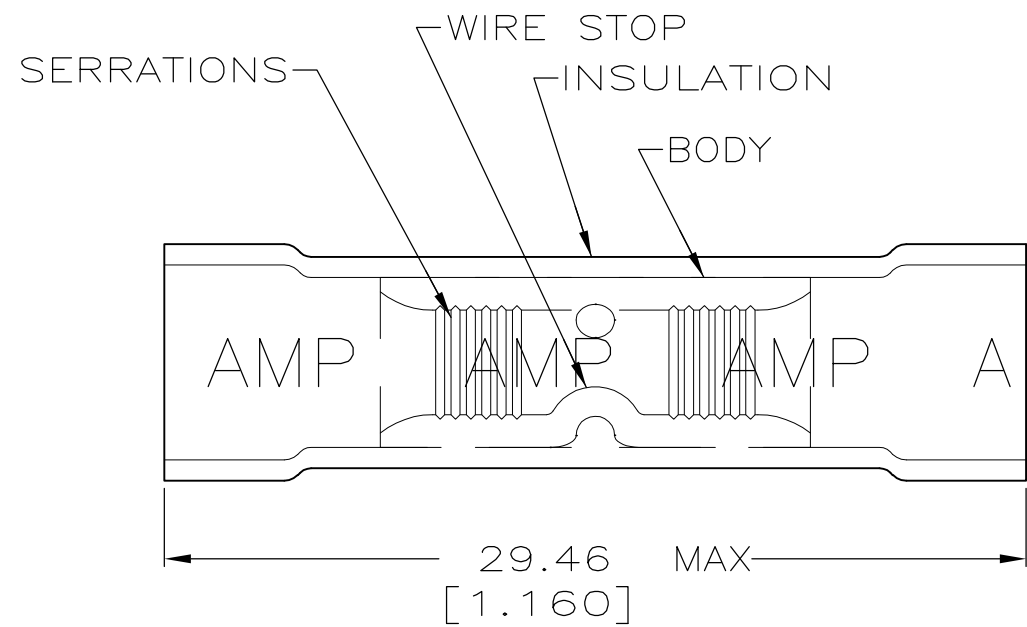


THIS DRAWING IS UNPUBLISHED. RELEASED FOR PUBLICATION
 © COPYRIGHT - By - ALL RIGHTS RESERVED.


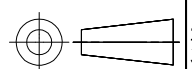
| LOC | DIST | REVISIONS | | | | | |
|-----|------|-----------|-----|---------------------------|---------|-----|------|
| | | P | LTR | DESCRIPTION | DATE | DWN | APVD |
| G | 14 | | L2 | REVISED PER ECO-11-004820 | 11MAR11 | RK | HMR |

| | | |
|----------------------------|--|---|
| AMP WIRE RANGE |  E13288 |  LR7189 Certified |
| 12-10 SOLID OR STRANDED | 12-10 SOLID OR STRANDED | 12-10 SOLID OR STRANDED |



1. WIRE INSUL DIA,
 3.81-5.84 [.150-.230]

| QTY | PACKAGE TYPE | PART NO |
|------|------------------|-----------|
| - | - | - |
| 25 | LOOSE PIECE, BAG | 8-34072-5 |
| 5 | LOOSE PIECE, BLS | 8-34072-4 |
| 100 | LOOSE PIECE, BOX | 8-34072-1 |
| 1500 | ON TAPE, REEL | 2-34072-2 |
| 500 | LOOSE PIECE | 34072 |

| | | | | | | | | | | | | | |
|--|--|---|---|---|--|---|------------------|-----------|--------------|------------------------------|------------------------------|------------------------|------------------|
| AMP INCORPORATED CUSTOMER SERVICE SYSTEM | | MAX RECOMMENDED OPERATING TEMPERATURE: 90° C [194° F] | THIS DRAWING IS A CONTROLLED DOCUMENT. | | DWN M ELLIS 19JUL95 |  TE Connectivity NAME SPLICE, BUTT, PLASTI-GRIP™ WIRE SIZE, 12-10 AWG | | | | | | | |
| FOR ADDITIONAL PRODUCT INFORMATION OR COPIES OF DRAWINGS AND TECHNICAL DOCUMENTS | PRODUCT INFORMATION CENTER 1-800-522-6752 | | VOLTAGE RATING: 600V MAX 1000V (FIXTURES OR SIGNS) | DIMENSIONS: mm [INCHES] | TOLERANCES UNLESS OTHERWISE SPECIFIED: | | | | | CHK C PRESNELL 19JUL95 | APVD S BORTNER 19JUL95 | PRODUCT SPEC UL486A | APPLICATION SPEC |
| FOR APPLICATION TOOLING INFORMATION | TOOLING ASSISTANCE CENTER 1-800-722-1111 | CIRCULAR MIL AREA: 2.62mm ² -6.64mm ² [5180-13100] |  | 0 PLC ± - | 1 PLC ± - | 2 PLC ± - | 3 PLC ± - | 4 PLC ± - | ANGLES ± - | SIZE A3 | CAGE CODE 00779 | DRAWING NO C-34072 | RESTRICTED TO |
| FOR ORDER ENTRY | 1-800-526-5142 | | | MATERIAL BODY, CU ASTM B 152 SLV, PVC, COLOR, YELLO | FINISH TIN PLATE PER MIL-T-10727 | WEIGHT - | CUSTOMER DRAWING | | SCALE 4:1 | SHEET 1 OF 1 | REV L2 | | |

Mouser Electronics

Authorized Distributor

Click to View Pricing, Inventory, Delivery & Lifecycle Information:

[TE Connectivity:](#)

[2-34072-2](#) [8-34072-1](#)