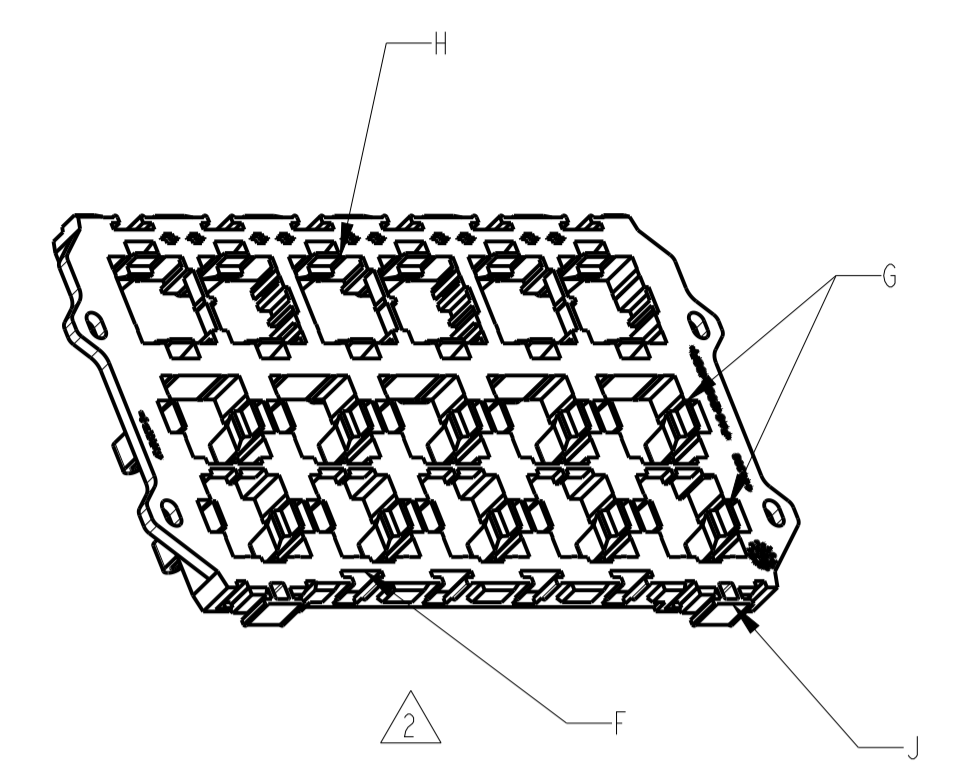
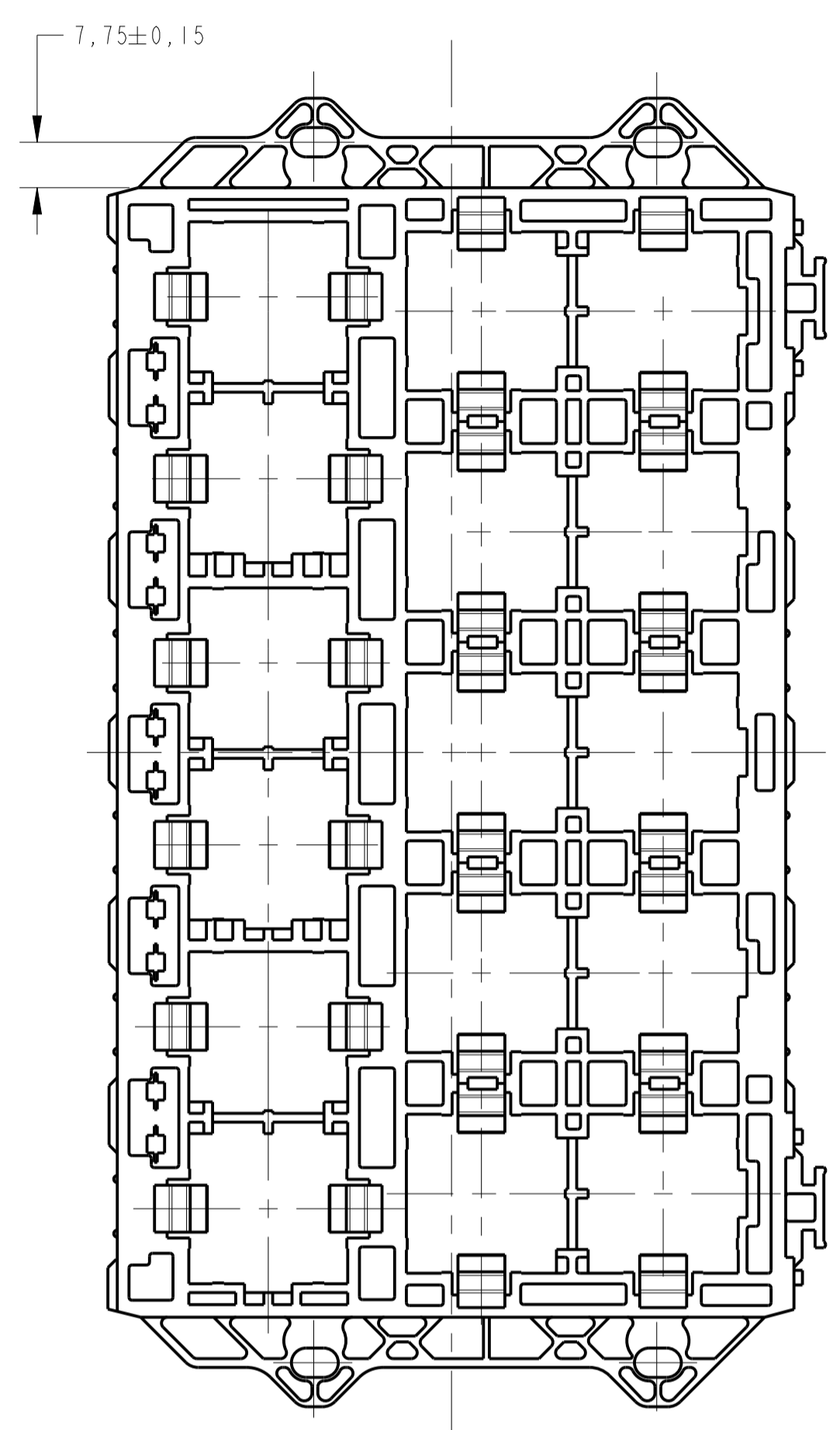
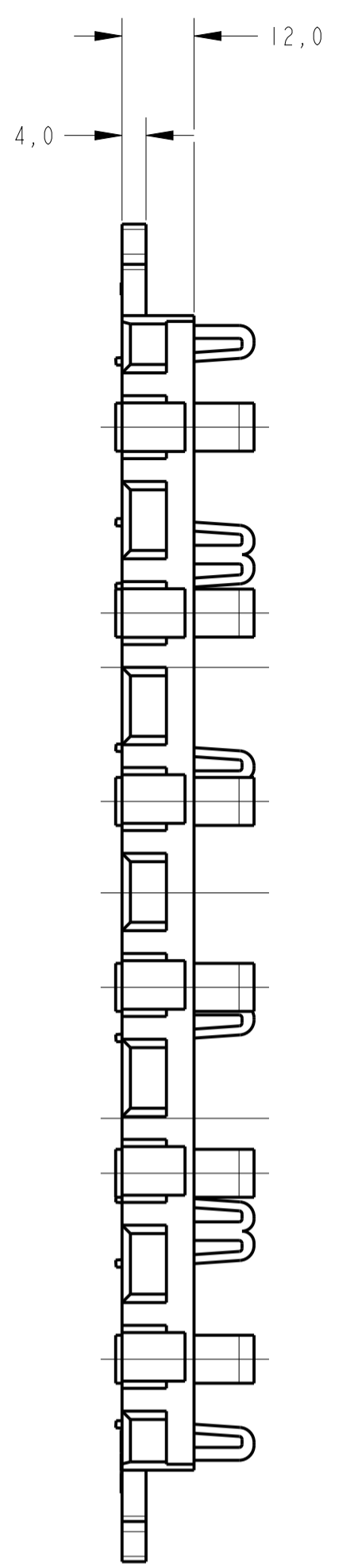
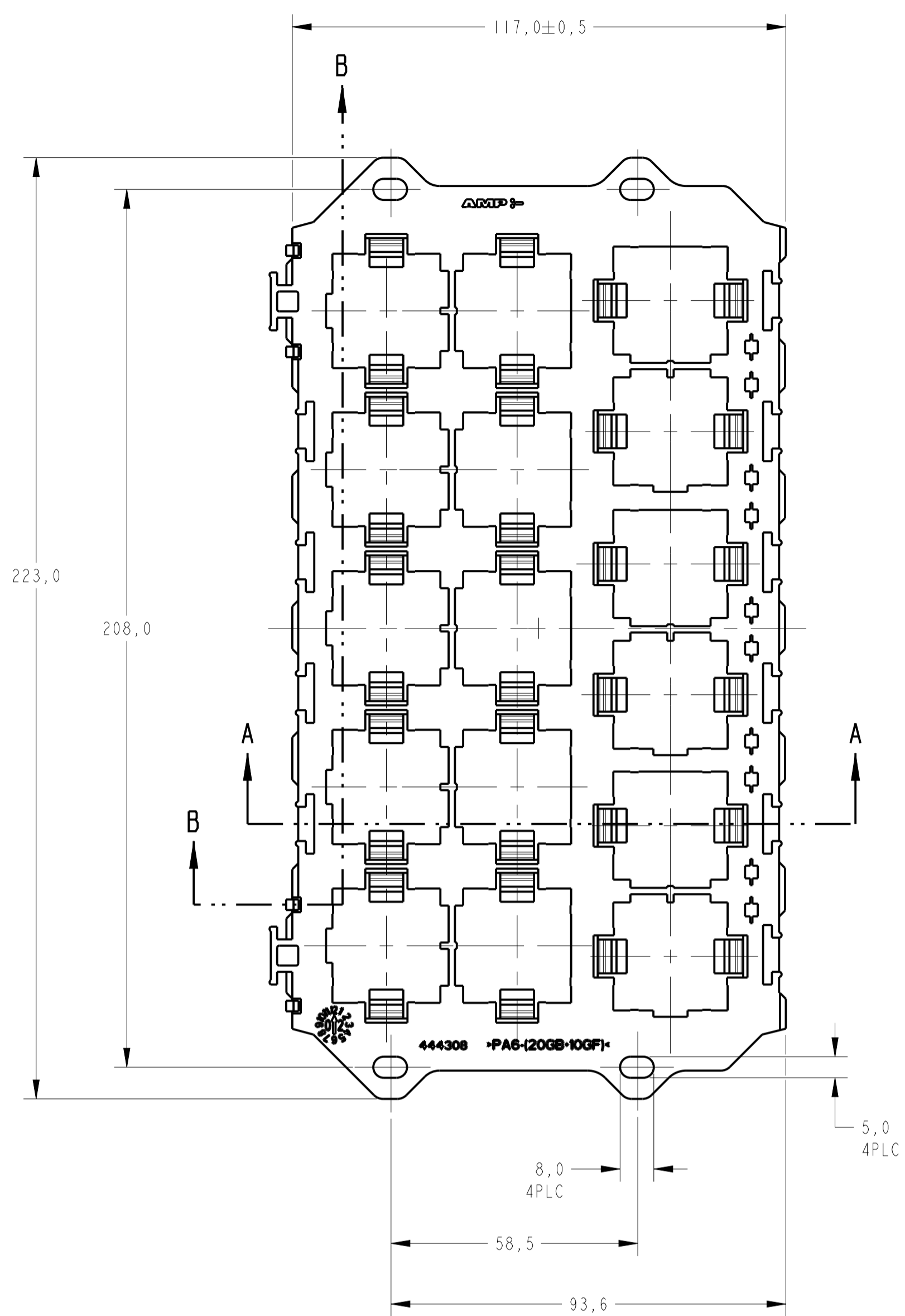


LOC	DIST	REV	DATE	BY	APPV
AP	-	C2	20NOV2014	NCL	GOJ

REVISIONS

DESCRIPTION	DATE	BY	APPV
CHANGE STATUS ECO-14-017499	20NOV2014	NCL	GOJ

creo
 Creo Parametric 2.0
DO NOT REVISE EXCEPT BY CAD



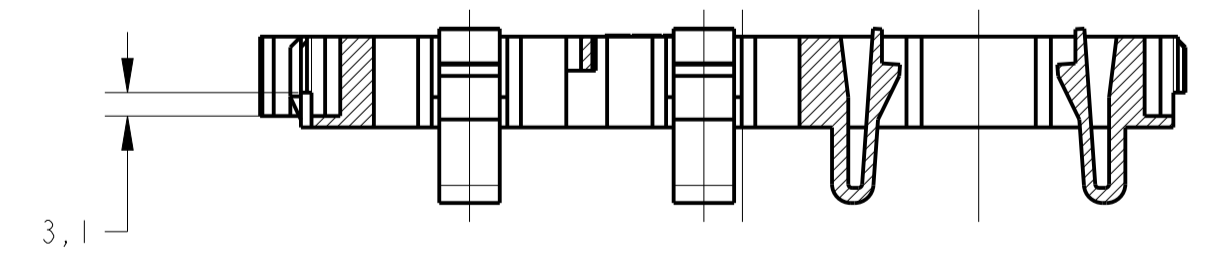
PERSPECTIVE VIEW
 SCALE 1:2

GRAVAÇÃO MARKING
LOGOTIPO AMP
AMP LOGO
CODIGO PAIS PRODUTOR
MANUFACTURER COUNTRY CODE
NOMENCLATURA MATERIAL
MATERIAL NOMENCLATURE
NÚMERO COMPONENTE
COMPONENT NUMBER
DATADOR
DATE CODE

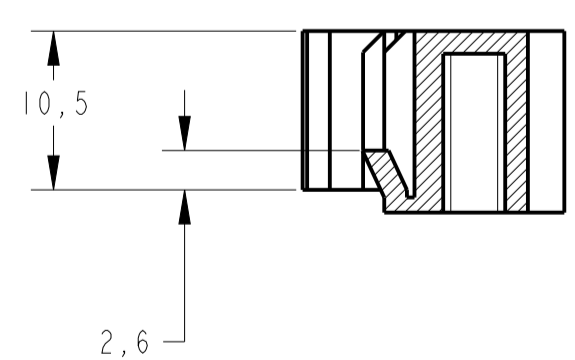
1 - DUAS OU MAIS PEÇAS 444308
 PODEM SER MONTADAS ENTRE SI
 ATRAVÉS DA JUNÇÃO J.

1 - TWO OR MORE PARTS 444308
 CAN BE MATED THEMSELVES
 THROUGH JOINT J.

△ - CONECTORES QUE PODEM SER USADOS:
 △ - CONNECTORS THAT CAN BE USED:



SECTION A-A



SECTION B-B
 SCALE 2:1

DESENHO Nº DWG NO.	DESCRIÇÃO DESCRIPTION	POSIÇÃO POSITION
444309	POWER GROUND ASSY	F
444311	HSG. FOR DIODES	G
444312	HSG. FOR FUSES	G
444313	RELAY SUPPORT	H
444314	RELAY SUPPORT	F / J

FINISH	MATERIAL	PART NUMBER
PRETO / BLACK	PA6-(20%GB+10%GF)	444308 -2
PRETO / BLACK	PA 6.6 + 33% FV/GF	444308 -1

THIS DRAWING IS A CONTROLLED DOCUMENT.

DIMENSIONS:	TOLERANCES UNLESS OTHERWISE SPECIFIED:	DWG: N.C. LAPRESA 02SEP99	CHK: P.L.FARIA 28JAN00	APV: L.G.DALTO 31JAN00	NAME: -
mm	0 PLC ± 1 PLC ±0,3 2 PLC ± 3 PLC ± 4 PLC ± ANGLES ±	PRODUCT SPEC	APPLICATION SPEC	SIZE: A1	CAGE CODE: 00779
MATERIAL: SEE TABLE	FINISH: SEE TABLE	WEIGHT: -	Customer Drawing	DWG NO: 444308	REV: C2

STE TE Connectivity

FRAME, FUSE RELAY BOX

SCALE 1:1 SHEET 1 OF 1

Mouser Electronics

Authorized Distributor

Click to View Pricing, Inventory, Delivery & Lifecycle Information:

[TE Connectivity:](#)

[444308-1](#)