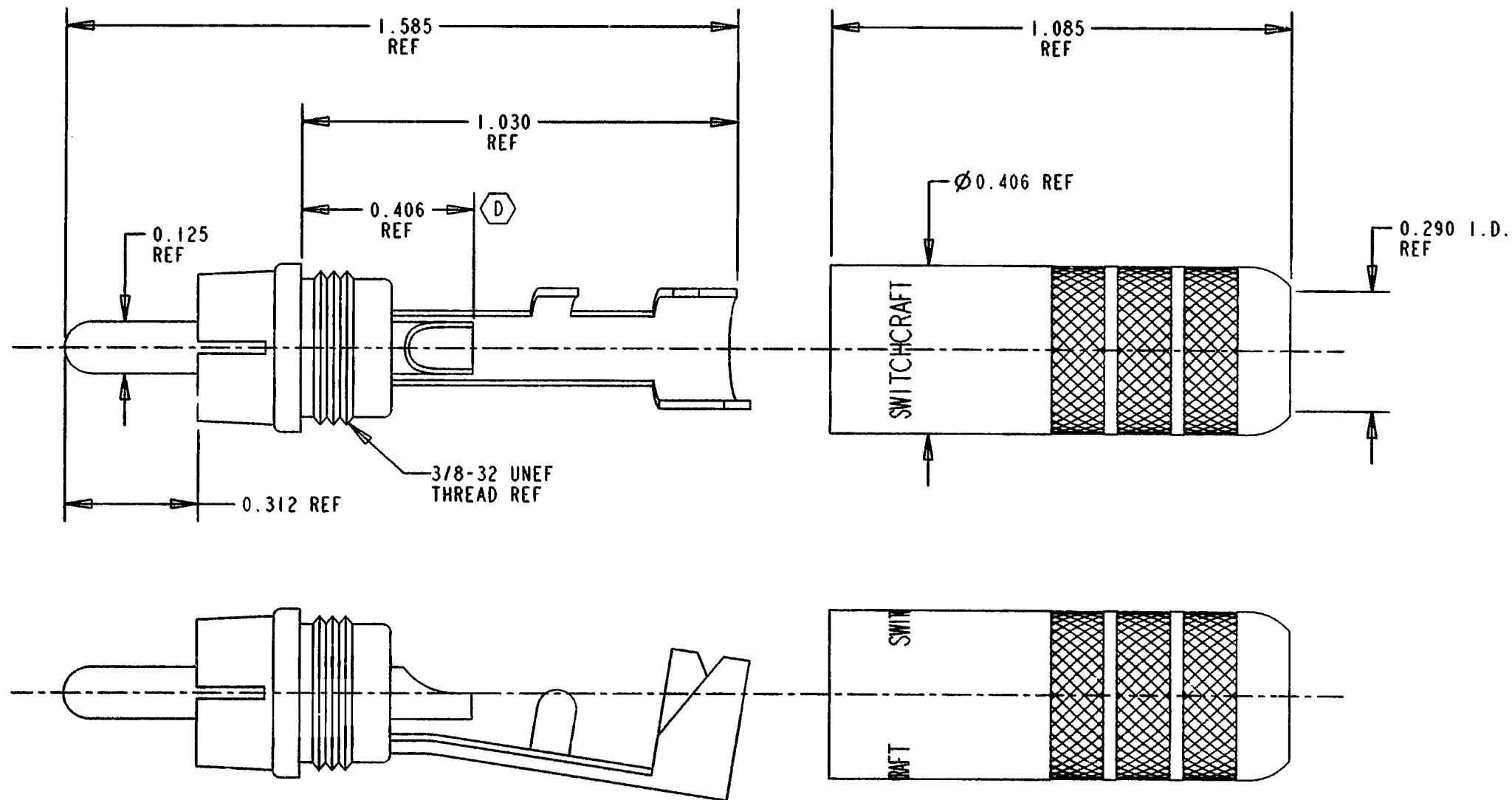
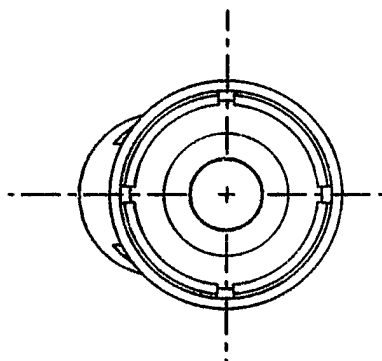


SCALE 1:1



MATERIALS:

WASHER: GIO EPOXY-GLASS LAMINATE

CENTER PIN: BRASS, SEE TABLE

PLUG HOUSING: BRASS, SEE TABLE

CLAMP TERMINAL: CRS, ELECTRO-TINNED

HANDLE: BRASS, SEE TABLE

CUSTOMER DRAWING

(F)

PART NUMBER	PART REV.	CENTER PIN AND PLUG HOUSING	HANDLE
3502A	E	NICKEL PLATED	NICKEL PLATED
3502AAU	C	GOLD PLATED	
3502AB	A	NICKEL PLATED	BLACK EPOXY PAINT
3502ABAU	D	GOLD PLATED	
3502AR	A	NICKEL PLATED	RED EPOXY PAINT
3502ARAU	A	GOLD PLATED	

REV	ECO NUMBER	DATE	BY	APVD	☆ STAR SYMBOL DEMOTES CRITICAL DIMENSION UNLESS OTHERWISE SPECIFIED 1. ALL DIMENSIONS IN INCHES - TWO PLACE DECIMALS ±0.01 - THREE PLACE DECIMALS ±0.005 - ANGLES ±1° - ALL DIA. CONCENTRIC WITHIN 0.005 T.I.R. 2. FEATURES ON THE SAME CENTERLINE MUST BE ALIGNED WITHIN ±0.002 3. REMOVE ALL BURRS	THIS DRAWING DESCRIBES A DESIGN CONSIDERED PROPRIETARY IN NATURE, DEVELOPED AND MANUFACTURED BY SWITCHCRAFT INC. AND IS RELEASED ON A CONFIDENTIAL BASIS FOR IDENTIFICATION PURPOSES ONLY.				
REVISIONS						DO NOT SCALE DRAWING	SIZE _____ WIDTH _____ MULT _____ LBS/M _____ TEMPER _____ FINISH _____ MATERIAL _____ SPEC No. _____ FIRST USED ON _____ SCALE 3:1 DATE DRAWN 11-NOV-93 BY LR CHKD LR TO APVD LR TO 1-4-94 NAME _____ PART No. 3502A SERIES REV F			

(B)

Mouser Electronics

Authorized Distributor

Click to View Pricing, Inventory, Delivery & Lifecycle Information:

[Switchcraft:](#)

[3502ABAU](#) [3502AAU](#) [3502A](#)