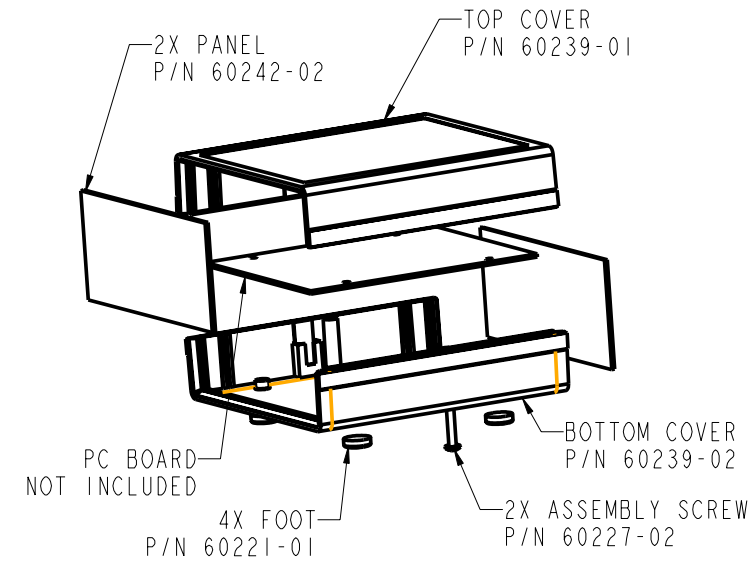
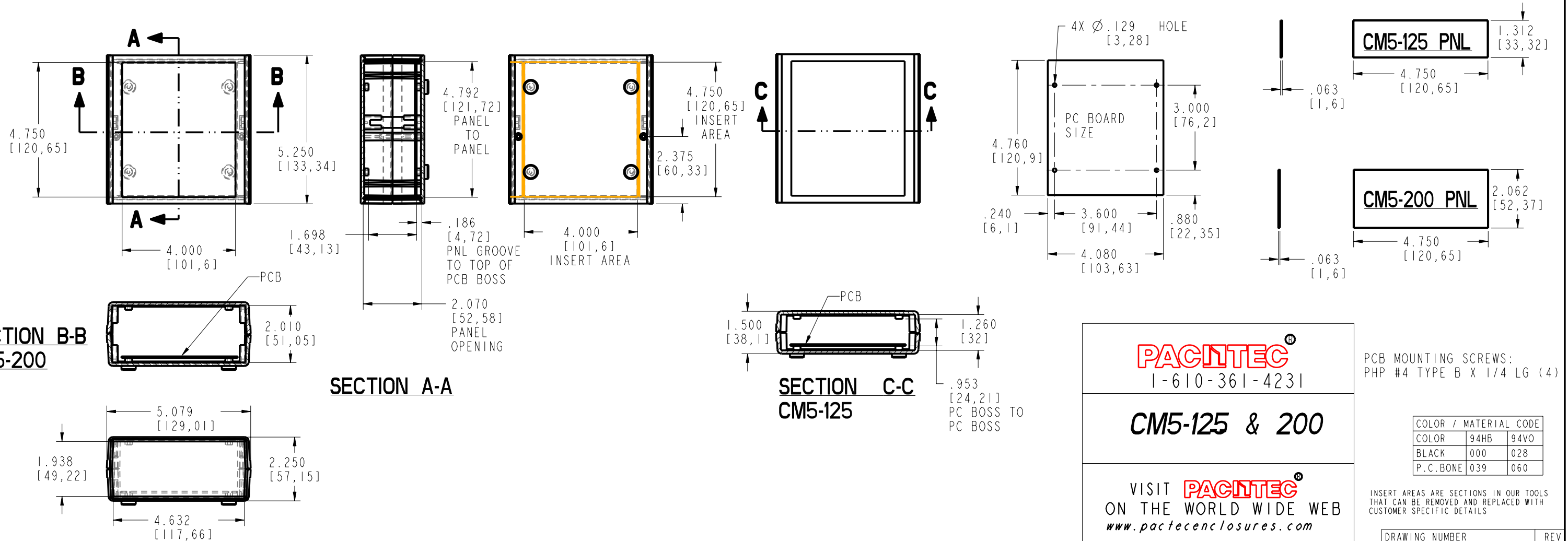


CM5-125



CM5-200



PACNTEC[®]
1-610-361-4231

CM5-125 & 200

VISIT **PACNTEC**[®]
ON THE WORLD WIDE WEB
www.pactecenclosures.com

PCB MOUNTING SCREWS:
PHP #4 TYPE B X 1/4 LG (4)

| COLOR / MATERIAL CODE | | |
|-----------------------|------|------|
| COLOR | 94HB | 94VO |
| BLACK | 000 | 028 |
| P.C.BONE | 039 | 060 |

INSERT AREAS ARE SECTIONS IN OUR TOOLS THAT CAN BE REMOVED AND REPLACED WITH CUSTOMER SPECIFIC DETAILS

| DRAWING NUMBER | REV |
|----------------|-----|
| 60256 | D |

Mouser Electronics

Authorized Distributor

Click to View Pricing, Inventory, Delivery & Lifecycle Information:

[PacTec:](#)

[60242-02-028 CM5-200 Black](#) [61956-510-039 CM5-200 Bone Kit](#) [64025-510-000 CM5-200 Black Kit](#)