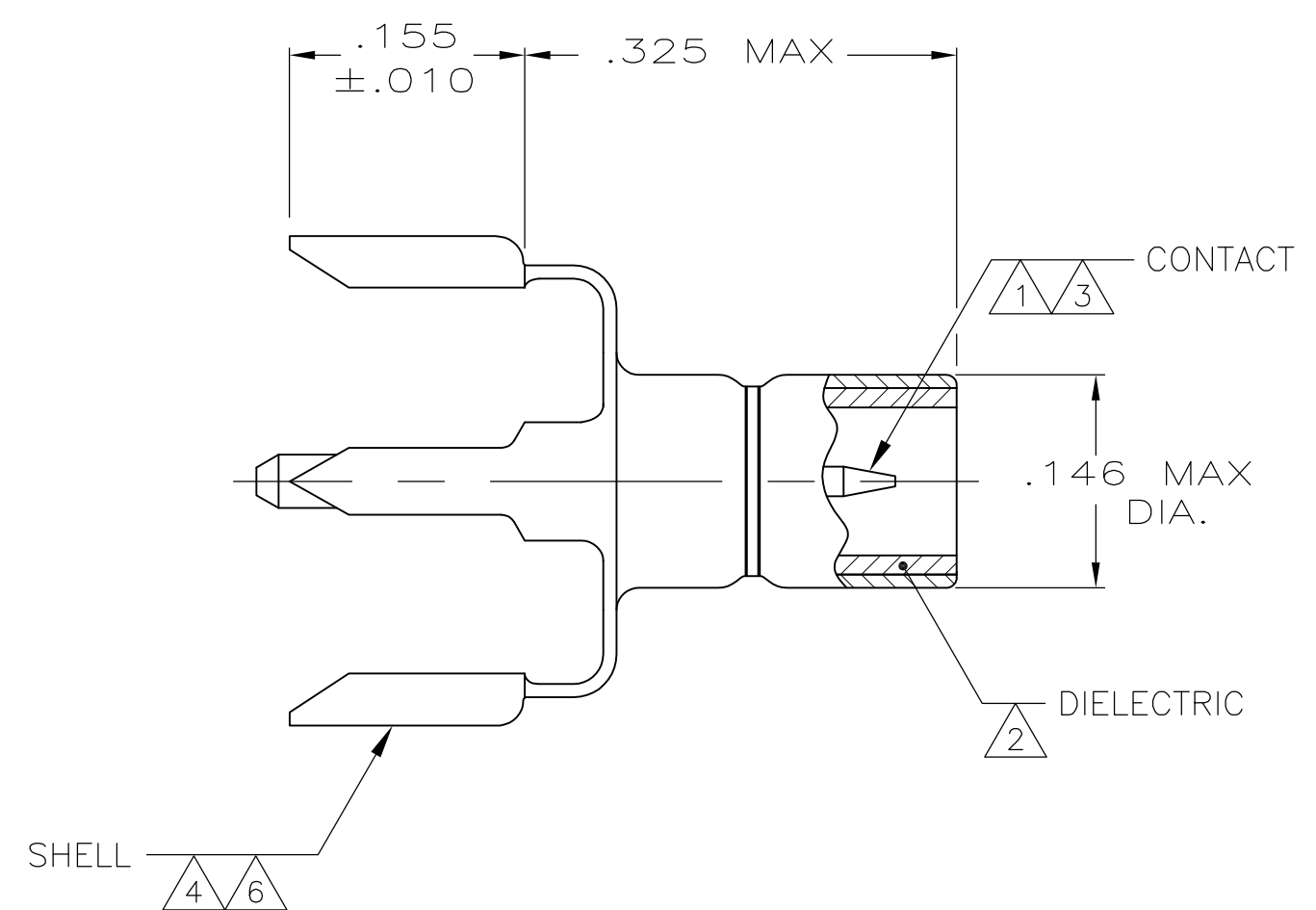
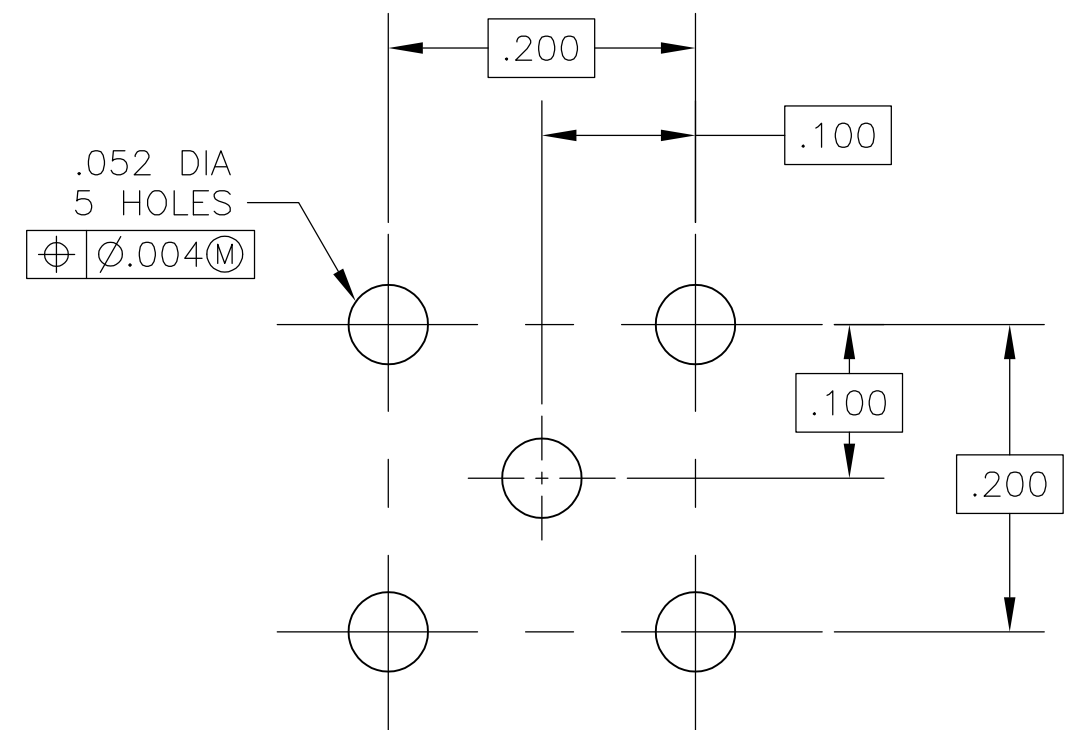


THIS DRAWING IS UNPUBLISHED. RELEASED FOR PUBLICATION
 © COPYRIGHT - By - ALL RIGHTS RESERVED.

LOC	DIST	REVISIONS			
P	LTR	DESCRIPTION	DATE	DWN	APVD
AJ	53	B1	ECR-12-005726	27MAR12	RK MY



- 1 BRASS PER ASTM-B-16.
- 2 PTFE PER ASTM-D-1710.
- 3 GOLD PLATE PER ASTM-B-488.
- 4 TIN PLATE PER ASTM-B-545.
- 5 NICKEL PLATE PER QQ-N-290.
- 6 BRASS PER ASTM-B-36.



RECOMMENDED PCB HOLE CONFIGURATION

221111-1
 PART NUMBER

THIS DRAWING IS A CONTROLLED DOCUMENT.		DWN T.SMITH 2-29-84	STE TE Connectivity		
DIMENSIONS: INCHES		CHK D.S.HEIDE 3-2-84			
TOLERANCES UNLESS OTHERWISE SPECIFIED:		APVD R.E.CAPP 3-2-84	NAME JACK,PCB, VERTICAL SMB		
0 PLC ± -		PRODUCT SPEC -	SIZE A3		
1 PLC ± -		APPLICATION SPEC -	CAGE CODE 00779	DRAWING NO C-221111-1	RESTRICTED TO -
2 PLC ± -		WEIGHT -	SCALE 8:1		
3 PLC ± .002		CUSTOMER DRAWING	SHEET 1 OF 1		
4 PLC ± -			REV B1		
ANGLES ± -					
MATERIAL SEE NOTES		FINISH SEE NOTES			

Mouser Electronics

Authorized Distributor

Click to View Pricing, Inventory, Delivery & Lifecycle Information:

[TE Connectivity:](#)

[221111-1](#)