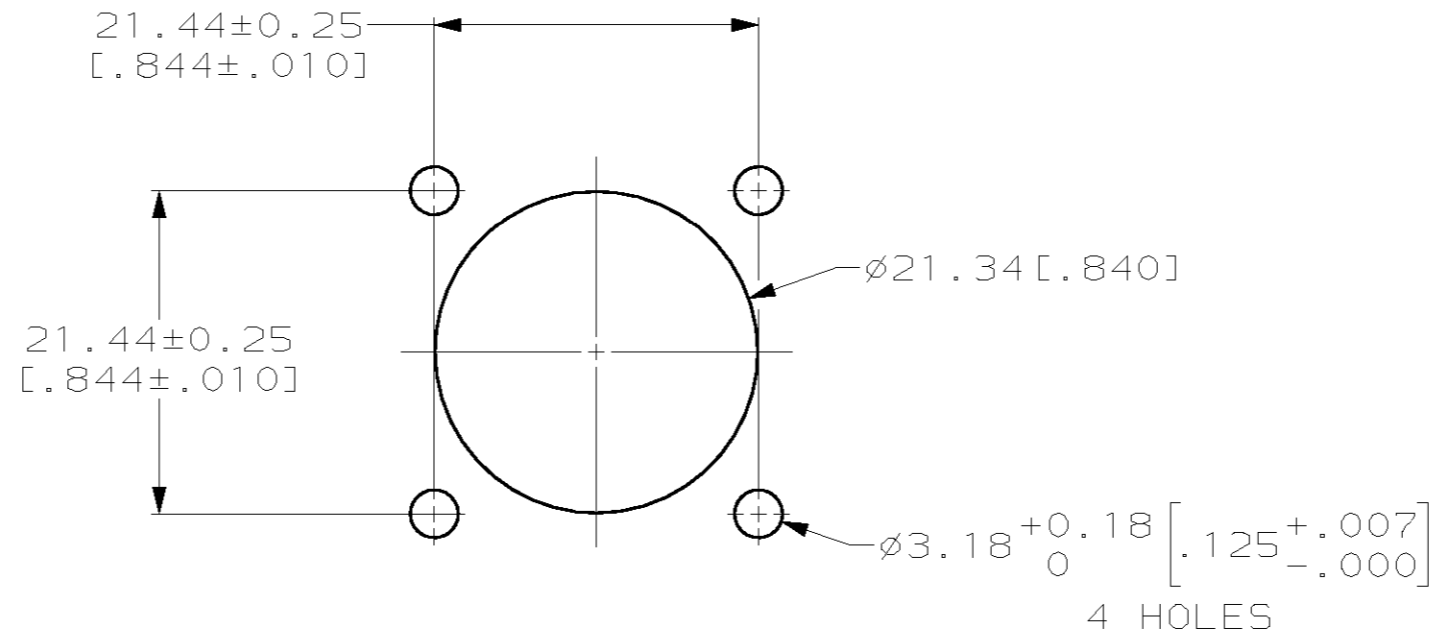
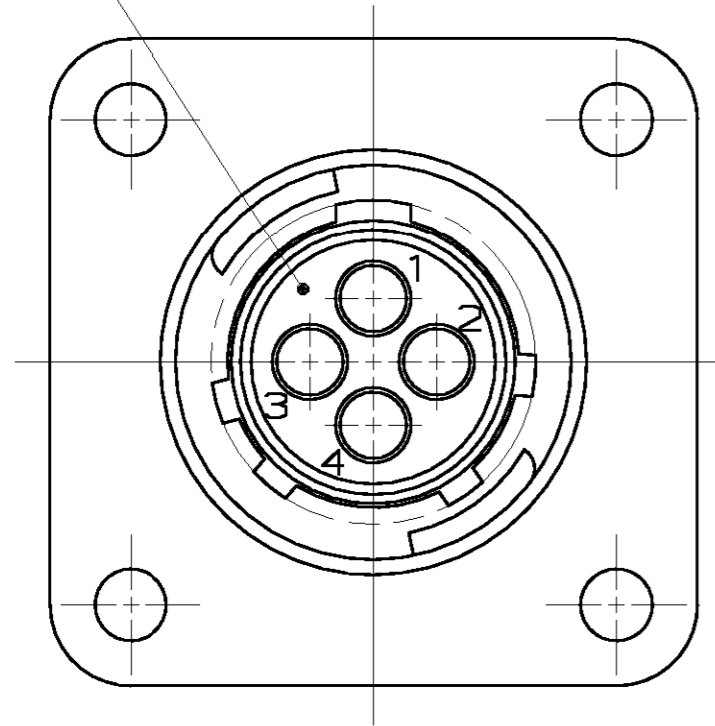


THIS DRAWING IS UNPUBLISHED. RELEASED FOR PUBLICATION .19
 BY AMP INCORPORATED. ALL RIGHTS RESERVED.

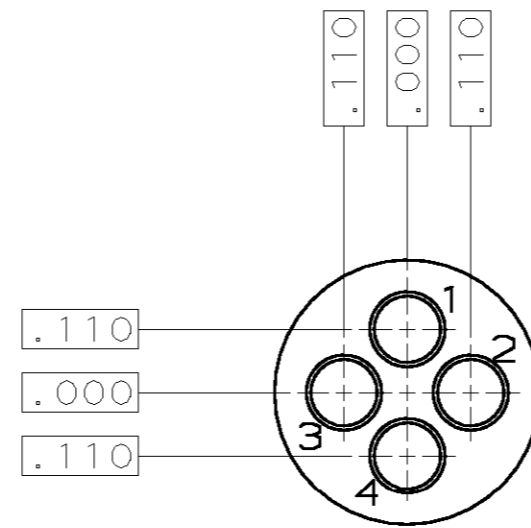
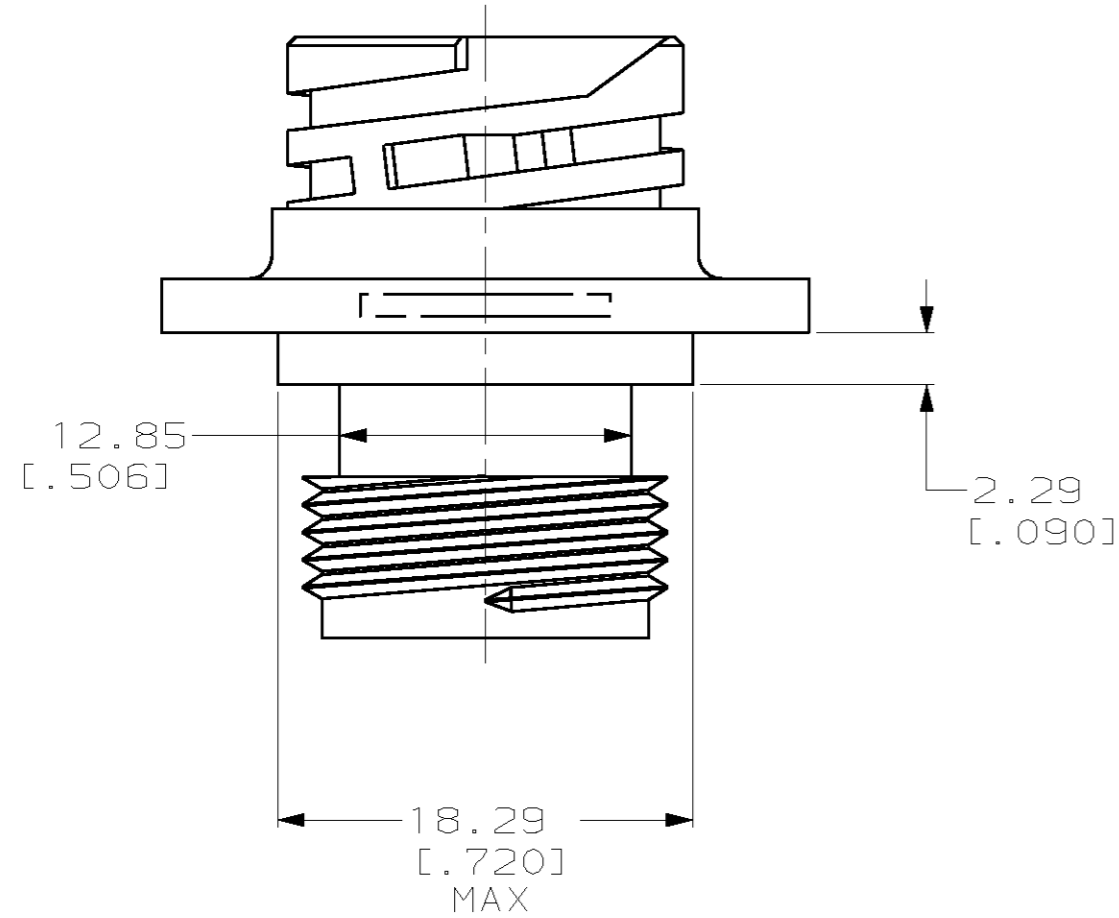
LOC	DIST	REVISIONS					
FT	0	P	LTR	DESCRIPTION	DATE	DWN	APVD
		A		REVISED PER EC 063B-0134-00	21-JUN-00	LM	MC

MATING FACE



RECOMMENDED PANEL CUTOUT
SCALE: 2:1

- CONTACT CAVITIES IDENTIFIED BY CHARACTERS ON FRONT AND REAR FACES.
- THIS CONNECTOR WILL ACCEPT (4) MULTIMATE SOCKET CONTACTS.



CONFIGURATION OF MATING
FACE OF CONNECTOR
[IN INCHES]

211908-1
PART NUMBER

THIS DRAWING IS A CONTROLLED DOCUMENT.		DWN L. McEACHIN 21-JUN-2000	AMP Incorporated Harrisburg, PA 17105-3608	
DIMENSIONS: mm [INCHES]		CHK M. CHACKO 22-JUN-2000	NAME RECEPTACLE HOUSING, REVERSE SEX, SIZE 11-4, SERIES 1, CLASS A, CPC	
TOLERANCES UNLESS OTHERWISE SPECIFIED: 0 PLC ±- 1 PLC ±- 2 PLC ±0.13 [.005] 3 PLC ±- 4 PLC ±- ANGLES ±- FINISH -		APVD M. CHACKO 22-JUN-2000	RESTRICTED TO	
MATERIAL POLYESTER: GRAY		PRODUCT SPEC -	SIZE A2	CAGE CODE 00779
		APPLICATION SPEC -	DRAWING NO 211908	
		WEIGHT -	SCALE 3:1	
		CUSTOMER DRAWING		SHEET 1 OF 1
				REV A

211908

Mouser Electronics

Authorized Distributor

Click to View Pricing, Inventory, Delivery & Lifecycle Information:

[TE Connectivity:](#)

[211908-1](#)