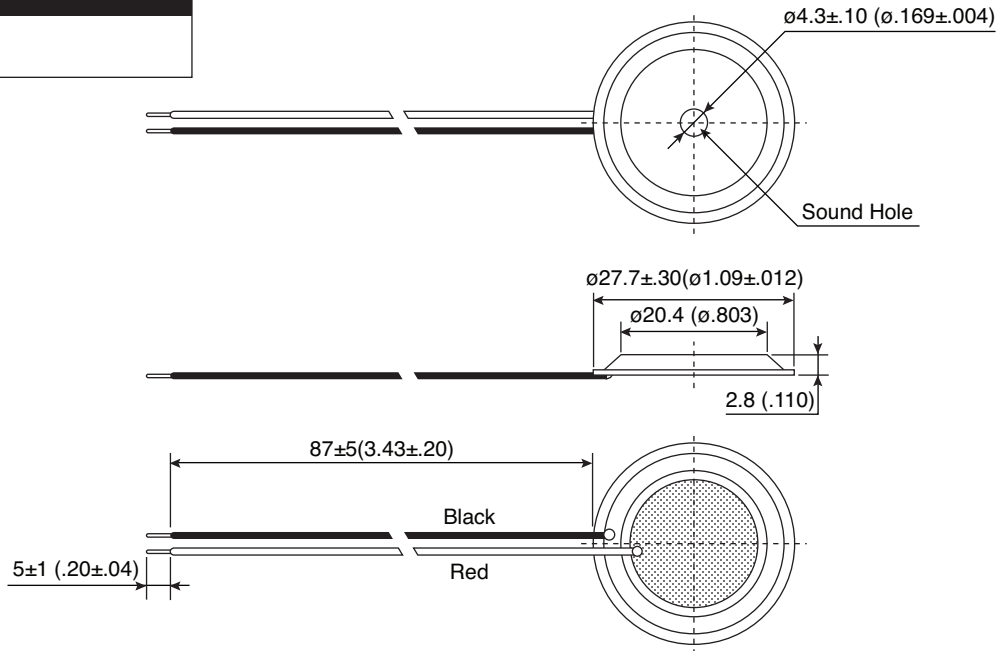


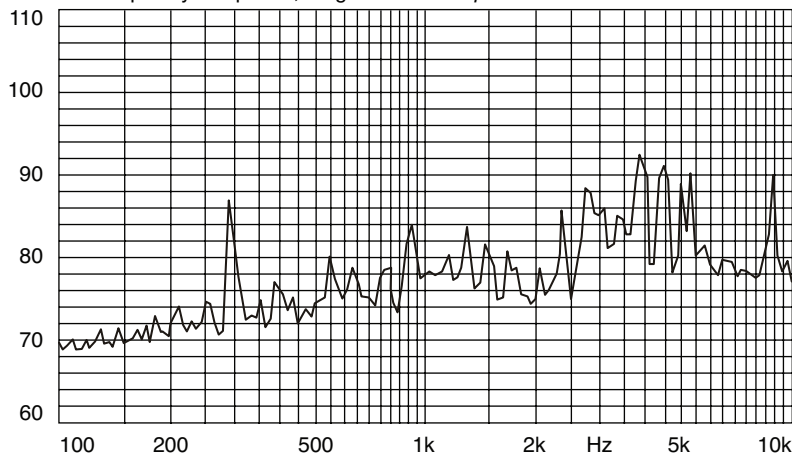
**Part Number:**

254-PB284-ROX



Piezoelectric Buzzer

A: Frequency Response, Magn dB re 20.00 $\mu$ PA



KT-400369

**Electrical Specifications:**

- Rated Voltage: 6Vp-p
- Operating Voltage: 3~20Vp-p
- Rated Current: 8mA(max)
- Sound Output Level: 85dBA(min)
- Resonant Frequency: 4400Hz  $\pm$  500
- Capacitance: 25000pF $\pm$ 30%

**Mechanical Specifications:**

- Operating Temperature: -20°C ~ +60°C
- Storage Temperature: -30°C ~ +70°C

**Note:**

- RoHS Compliant by Exemption

# Mouser Electronics

Authorized Distributor

Click to View Pricing, Inventory, Delivery & Lifecycle Information:

[Kobitone:](#)

[254-PB284-ROX](#)