

SUMMARY

Wires

Low	0
High	0
Coax	1
Triax	0
Quad	0
Fiber	0
Fluidic	0

Series	01
Termination type	Male solder
IP rating	50
Cable Ø	0.00 - 0.00 mm
Status	active
Alternative part	
Matching parts	ERA.01.250.DLL



Image is for illustrative purpose only

Download

[Request a quote](#)

[Catalog](#)

TECHNICAL DETAILS

Mechanics

Shell Style/Model	FLS.01*: Elbow plug, for cable crimping
Keying	Circular, male
Housing Material	Brass (gold plated) shell, collet nut, brass latch sleeve and mid pieces
Variant	
Weight	2.28 g

Performance

Configuration	01.250 : 1 Coax (50 Ohm)
Insulator	
Rated Current	

Specifications

Contact Type: Solder

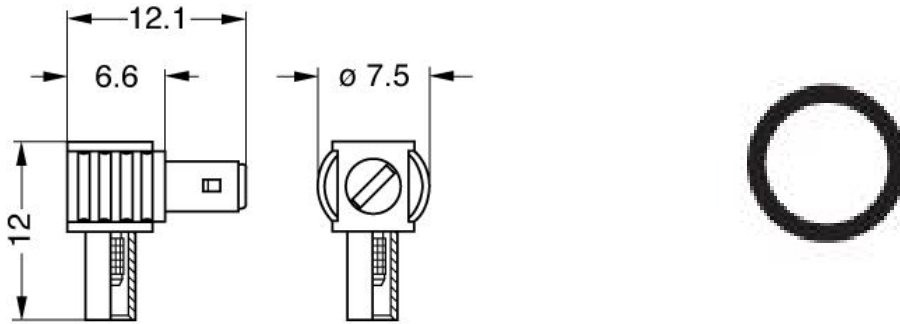
Others

Endurance (Shell): 1000 mating cycles

LEMO products and services are provided "as is". LEMO makes no warranties or representations with regard to LEMO product & services or use of them, express, implied or statutory, including for accuracy, completeness, or security. The user is fully responsible for his products and applications using LEMO components.

DRAWINGS

Draws



Dimensions

	A	H	L	M
mm.	7.5	12	12.1	6.6
in.	0.30	0.47	0.48	0.26

RECOMMENDED BY LEMO

Tools

None

Cables

LEMO products and services are provided "as is". LEMO makes no warranties or representations with regard to LEMO product & services or use of them, express, implied or statutory, including for accuracy, completeness, or security. The user is fully responsible for his products and applications using LEMO components.