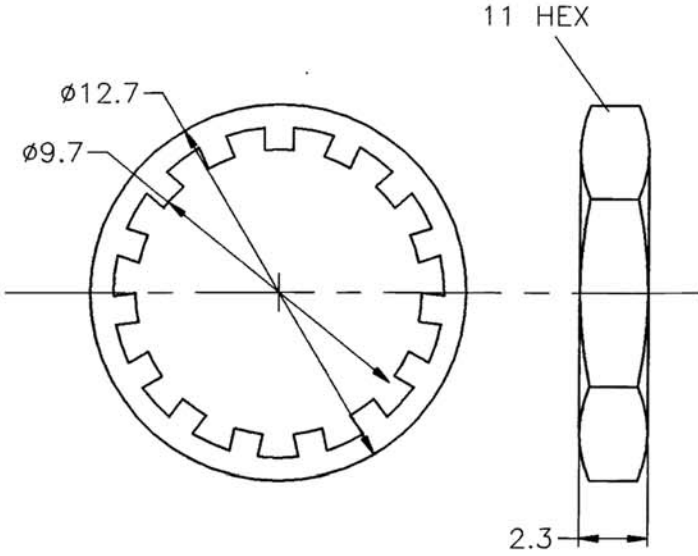
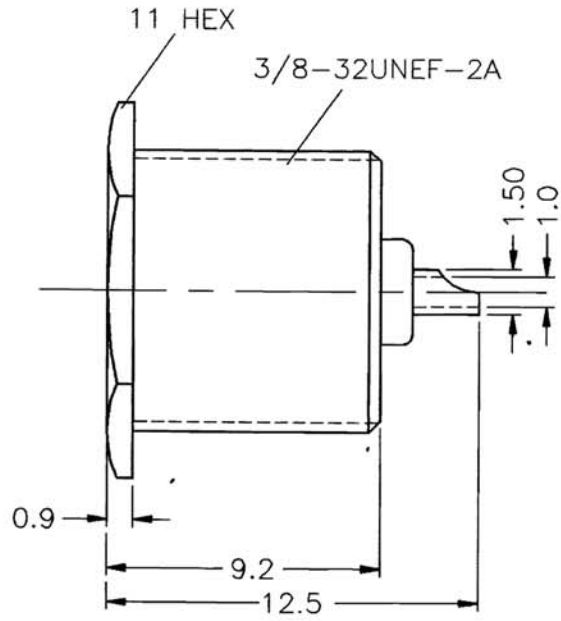
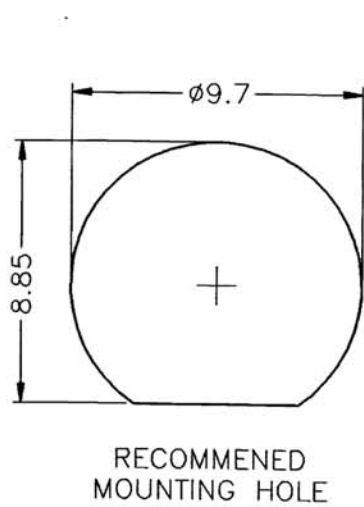



REV.	DATE	DESCRIPTION
NC	06/16/97	INITIAL RELEASE



DESCRIPTION	MATERIAL	FINISH	DIMENSIONS ARE IN MILLIMETERS UNLESS OTHERWISE SPECIFIED TOLERANCES ARE:	APPROVALS	DATE				
1	BODY	BRASS	NICKEL	DRAWN G.R.S. CHECKED ISSUED TITLE SMB BULKHEAD RECESSED RECEPT. JACK SIZE A FSCM NO. 99001 DWG. NO. 142158.DWG REV. NC SCALE 4:1 PART NO. 142158 SHEET 1 OF 1	06/16/97				
2	INSULATOR	TEFLON	NATURAL						
3	CONTACT PIN	BRASS	GOLD						
4									
5									
6									
7									
8									

Mouser Electronics

Authorized Distributor

Click to View Pricing, Inventory, Delivery & Lifecycle Information:

[Amphenol:](#)

[142158](#)