

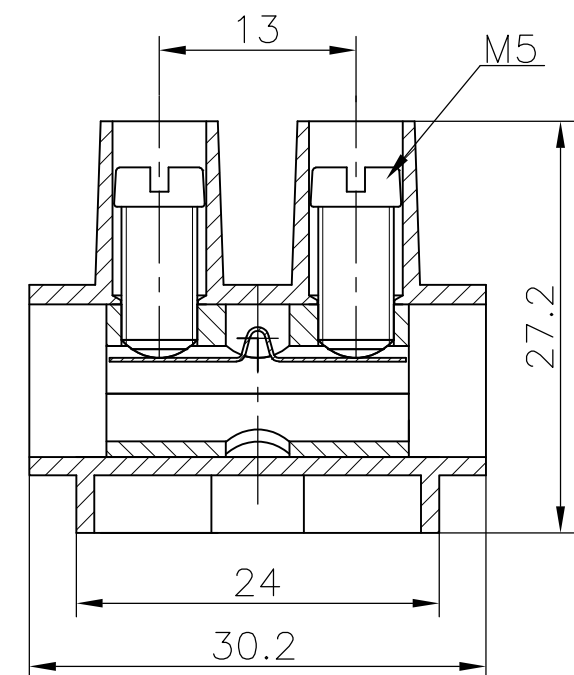
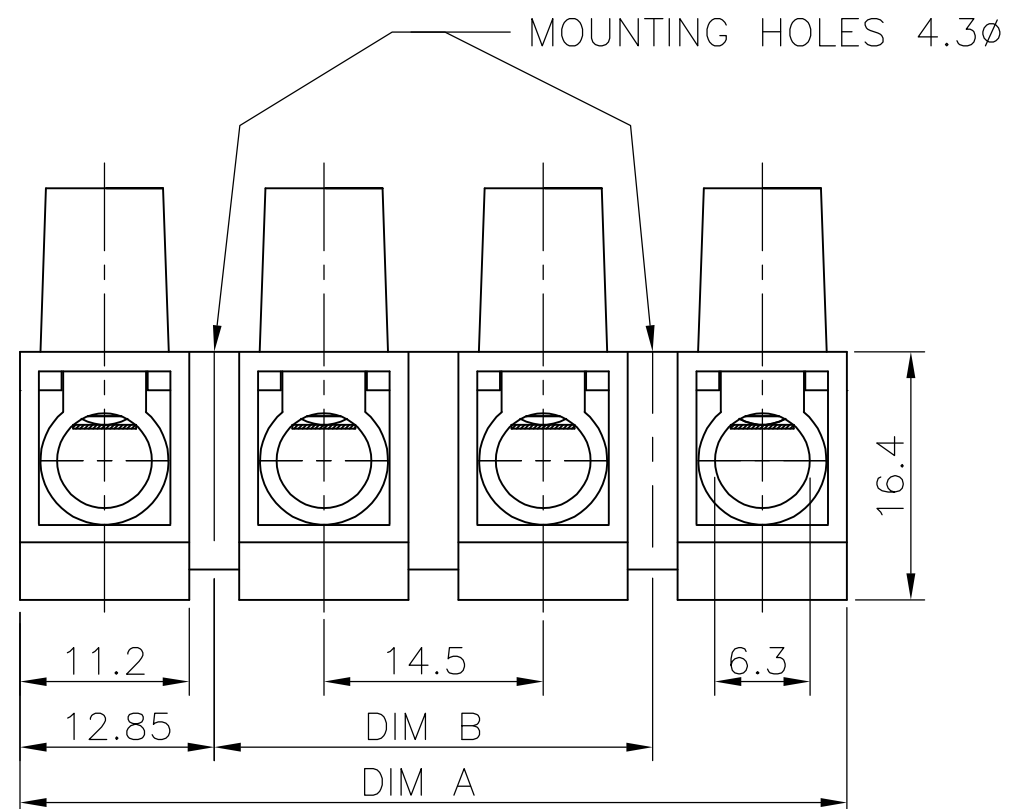
THIS DRAWING IS UNPUBLISHED. RELEASED FOR PUBLICATION  
 © COPYRIGHT BY TYCO ELECTRONICS CORPORATION. ALL INTERNATIONAL RIGHTS RESERVED.

LOC	DIST	REVISIONS					
FT	0	P	LTR	DESCRIPTION	DATE	DWN	APVD
			A2	REVISED PER ECO-09-016882	21JUL09	HMR	CR

MATERIAL:  
 HOUSING: POLYIMIDE 6 UL94V-0.  
 COLOR: BROWN.  
 TUBULAR CONTACT: BRASS, TIN PLATED.  
 SCREW: M5, STEEL, ZINC PLATED W/ NON-HEXAVALENT CHROMATE (CHROME III).  
 WIRE PROTECTOR: STAINLESS STEEL

ELECTRICAL:  
 CURRENT RATING: 65A, 600V.  
 WIRE RANGE: 6-14 UL AND 6-22 AWG FOR (CSA)

CONTINUOUS WORKING TEMP.: 150°C MAX.



145	170.7	TSB2000K12DSHT	1-1986469-2
130.5	156.2	TSB2000K11DSHT	1-1986469-1
116	141.7	TSB2000K10DSHT	1-1986469-0
101.5	127.2	TSB2000K09DSHT	1986469-9
87	112.7	TSB2000K08DSHT	1986469-8
72.5	98.2	TSB2000K07DSHT	1986469-7
58	83.7	TSB2000K06DSHT	1986469-6
43.5	69.2	TSB2000K05DSHT	1986469-5
29	54.7	TSB2000K04DSHT	1986469-4
14.5	40.2	TSB2000K03DSHT	1986469-3
-	25.7	TSB2000K02DSHT	1986469-2
-	11.2	TSB2000K01DSHT	1986469-1
DIM B	DIM A	CATALOG NUMBER	PART NUMBER

THIS DRAWING IS A CONTROLLED DOCUMENT.		DWN S SCHLEGEL 9/17/08	Tyco Electronics Corporation Harrisburg, PA 17105-3608	
DIMENSIONS: mm		CHK C RICHARD 9/17/08		
TOLERANCES UNLESS OTHERWISE SPECIFIED:		APVD C RICHARD 9/17/08	NAME 14.5MM PITCH WIRE PROTECTOR 65A HIGH VOLTAGE VERSION, HIGH TEMP	
0 PLC ± - 1 PLC ± 0.3 2 PLC ± 0.25 3 PLC ± - 4 PLC ± - ANGLES ± 2°		PRODUCT SPEC -	RESTRICTED TO -	
MATERIAL -		FINISH -	APPLICATION SPEC -	SIZE A3
		WEIGHT -	CAGE CODE 00779	DRAWING NO C-1986469
CUSTOMER DRAWING			SCALE NTS	SHEET 1 OF 1
			REV A2	

# Mouser Electronics

Authorized Distributor

Click to View Pricing, Inventory, Delivery & Lifecycle Information:

[TE Connectivity:](#)

[1986469-5](#)