

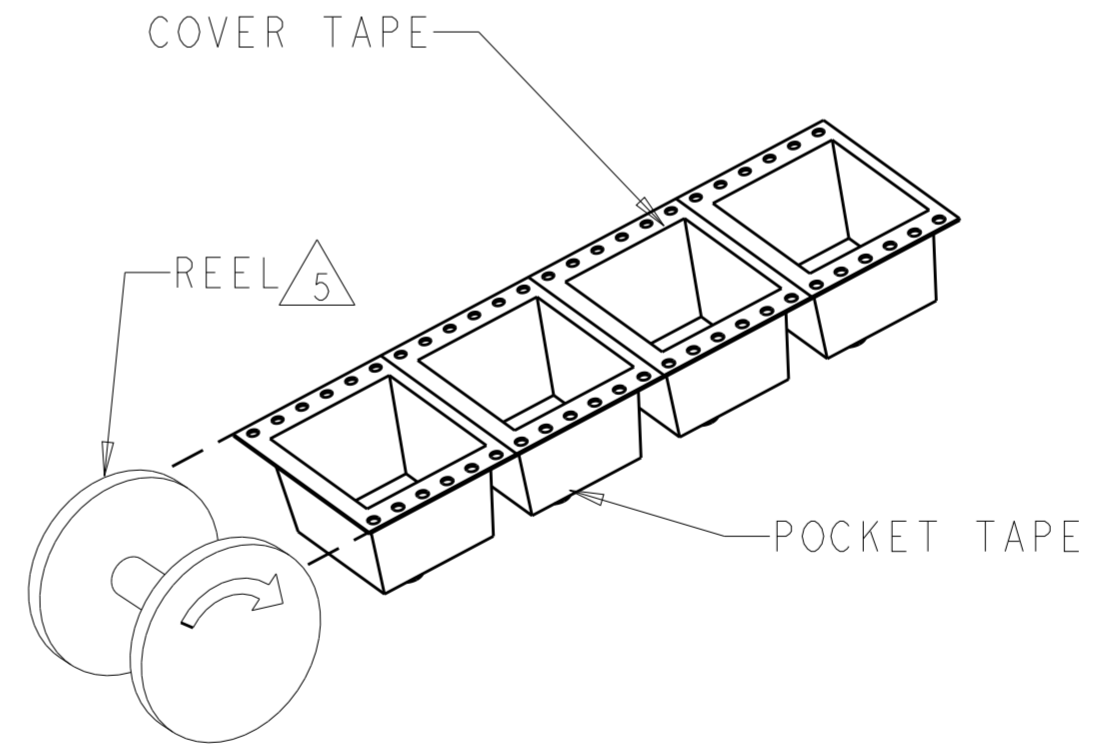




LOC	DIST	REVISIONS					
AI	-	P	LTR	DESCRIPTION	DATE	DWN	APVD
		-		SEE SHEET 1	-	-	-

NOTES:  
 1. MATERIAL AND FINISH:  
 - HOUSING: GF HIGH TEMP THERMOPLASTIC, COLOR: BLACK  
 - CONTACTS: COPPER ALLOY  
     FINISH: 3.8µm MIN MATTE TIN IN SOLDER AREA  
             1.27µm MIN GOLD IN INTERFACE AREA (SIGNAL CONTACTS)  
             0.76µm MIN GOLD IN INTERFACE AREA (POWER CONTACTS)  
             OVER 1.27µm NICKEL UNDERPLATE  
 - SHIELD: COPPER-ZINC ALLOY  
     FINISH: 2.03µm MATTE TIN OVER 1.27µm MIN NICKEL  
 - LED: DIFFUSED EPOXY LENS  
     CARBON STEEL WIRE LEADS  
     FINISH: 8.89µm TIN/COPPER OVER 2.03µm SILVER OVER  
             1.02µm COPPER OVER 3.56µm NICKEL

- 2. SUGGESTED PANEL OPENING DIMENSIONS.
- 3. SUGGESTED CLEARANCE BETWEEN TOP OF CONNECTOR AND TOP PANEL OPENING.
- 4. DATUM ESTABLISHED BY CUSTOMER.
- 5. PACKAGED: POCKET TAPE & REEL (PER EIA 481 SPEC)  
 POCKET TAPE WIDTH - 44mm  
 POCKET PITCH - 32mm  
 POCKET DEPTH - 18mm  
  
 CLEAR COVER TAPE, PSA  
 CLEAR COVER TAPE TRAILER - 610mm, WRAPPED ON REEL HUB  
  
 PLASTIC REEL - 381mm DIAMETER  
  
 PRODUCT QUANTITY - 150 PIECES PER REEL
- 6. MUST COMPLY WITH DIRECTIVE 2002/95/EC (RoHS)
- 7. POWER CONTACT PADS NOT REQUIRED FOR 2178126-2 PART NUMBER  
 POWER CONTACTS NOT POPULATED
- 8. PLATED THRU HOLE, FINISHED DIAMETER SHOWN
- 9. NON-PLATED HOLE, DRILL DIAMETER SHOWN  
 IF PLATED FINISHED DIAMETER TO BE AS SHOWN
- 10. MANUFACTURING DATE CODE: FIRST 2 DIGITS REPRESENT YEAR, SECOND 2 DIGITS REPRESENT WORK WEEK, LAST DIGIT IS DAY OF THE WEEK



THIS DRAWING IS A CONTROLLED DOCUMENT.		DWN Vivin 04APR2012	<b>STE</b> TE Connectivity	
		CHK Premjith 04APR2012		
DIMENSIONS: mm		TOLERANCES UNLESS OTHERWISE SPECIFIED:		APVD -
		0 PLC ±0.3	NAME JACK ASSEMBLY CLOUDSPLITTER SMT	
		1 PLC ±0.25	PRODUCT SPEC 108-64022	
MATERIAL		2 PLC ±0.13	APPLICATION SPEC 114-32051	
		3 PLC ±	SIZE A200779	
		4 PLC ±	CAGE CODE C-2178126	
		ANGLES ±1°	DRAWING NO -	
		FINISH	RESTRICTED TO -	
			SCALE 8:1 SHEET 3 OF 3 REV 12	
			Customer Drawing	

# Mouser Electronics

Authorized Distributor

Click to View Pricing, Inventory, Delivery & Lifecycle Information:

[TE Connectivity:](#)

[2178126-1](#)