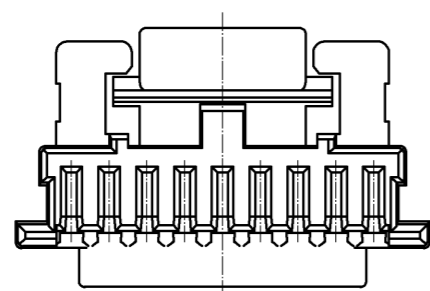
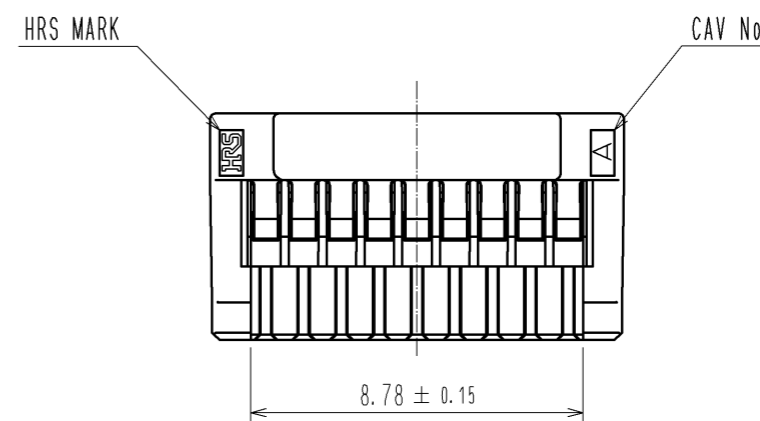
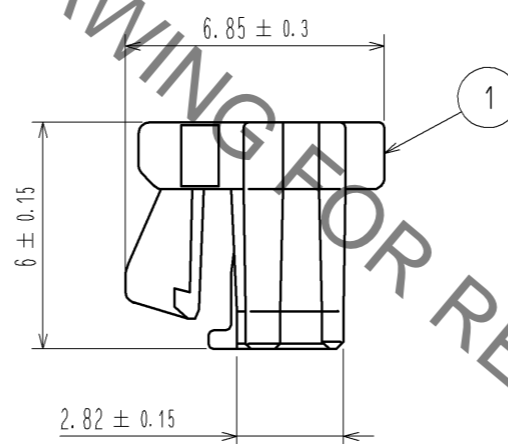
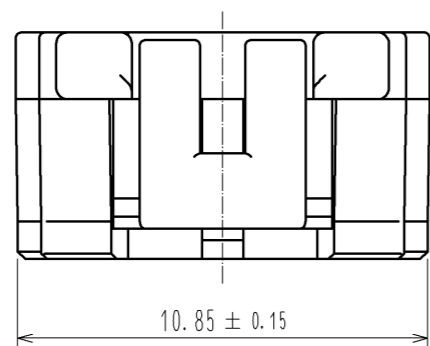
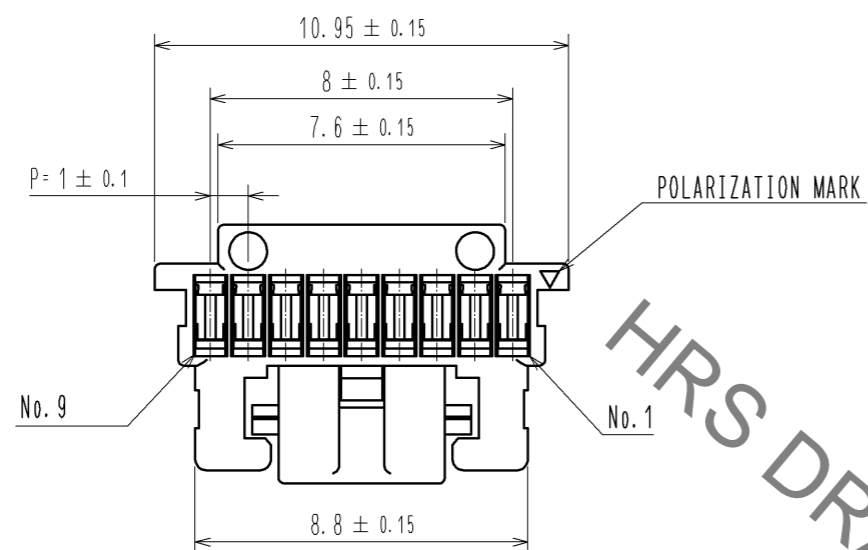


Sep.1.2020 Copyright 2020 HIROSE ELECTRIC CO., LTD. All Rights Reserved.
In case of consideration for using Automotive equipment / device which demand high reliability, kindly contact our sales window correspondents.



NOTE: 100 PIECES PER PACK

NO.		MATERIAL		FINISH . REMARKS		1		PBT		UL94-V0. BLACK			
UNITS		SCALE		COUNT		DESCRIPTION OF REVISIONS		DESIGNED		CHECKED		DATE	
mm		5 : 1		△									
HIROSE ELECTRIC CO., LTD.		APPROVED : KI. AKIYAMA		12.01.10		DRAWING NO.		EDC3-329669-00					
		CHECKED : OM. MIYAMOTO		12.01.10		PART NO.		DF50A-9S-1C					
		DESIGNED : ST. SATO		12.01.07		CODE NO.		CL665-1100-5-00					
		DRAWN : ST. SATO		12.01.07									