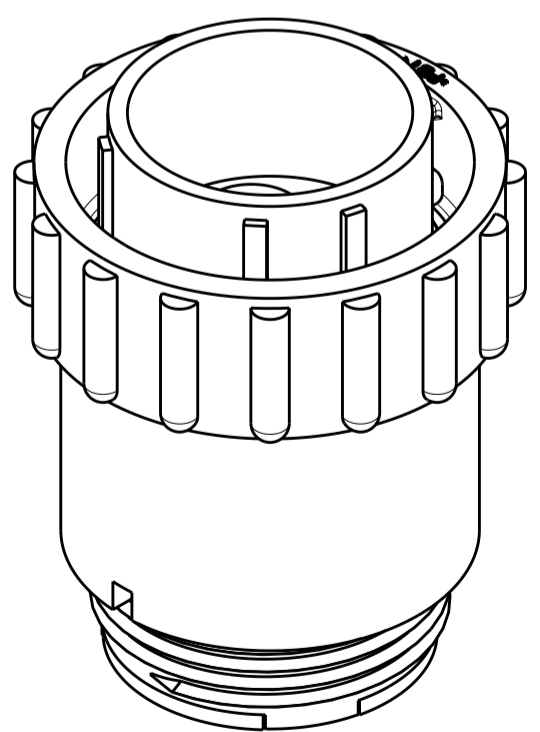
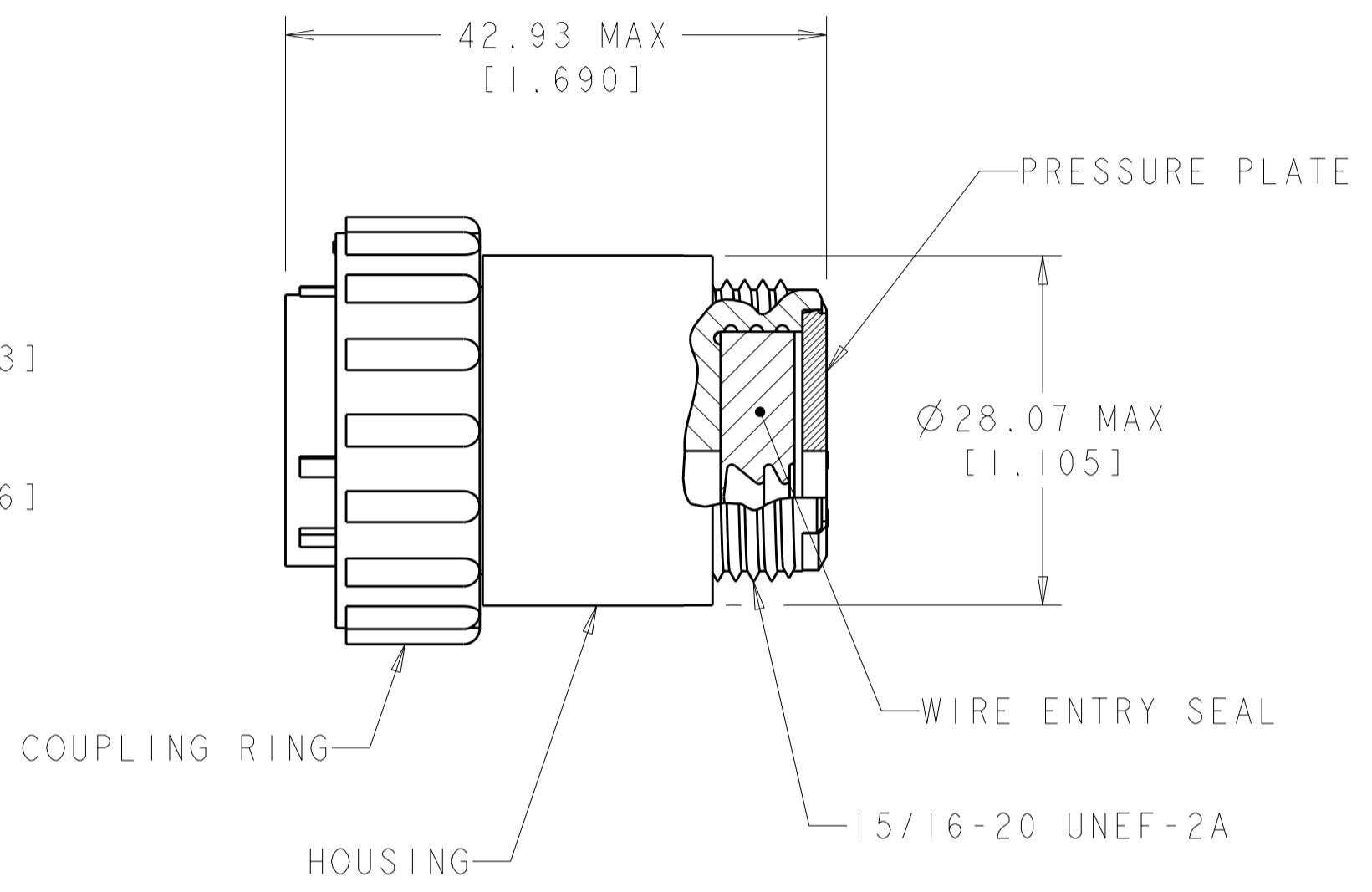
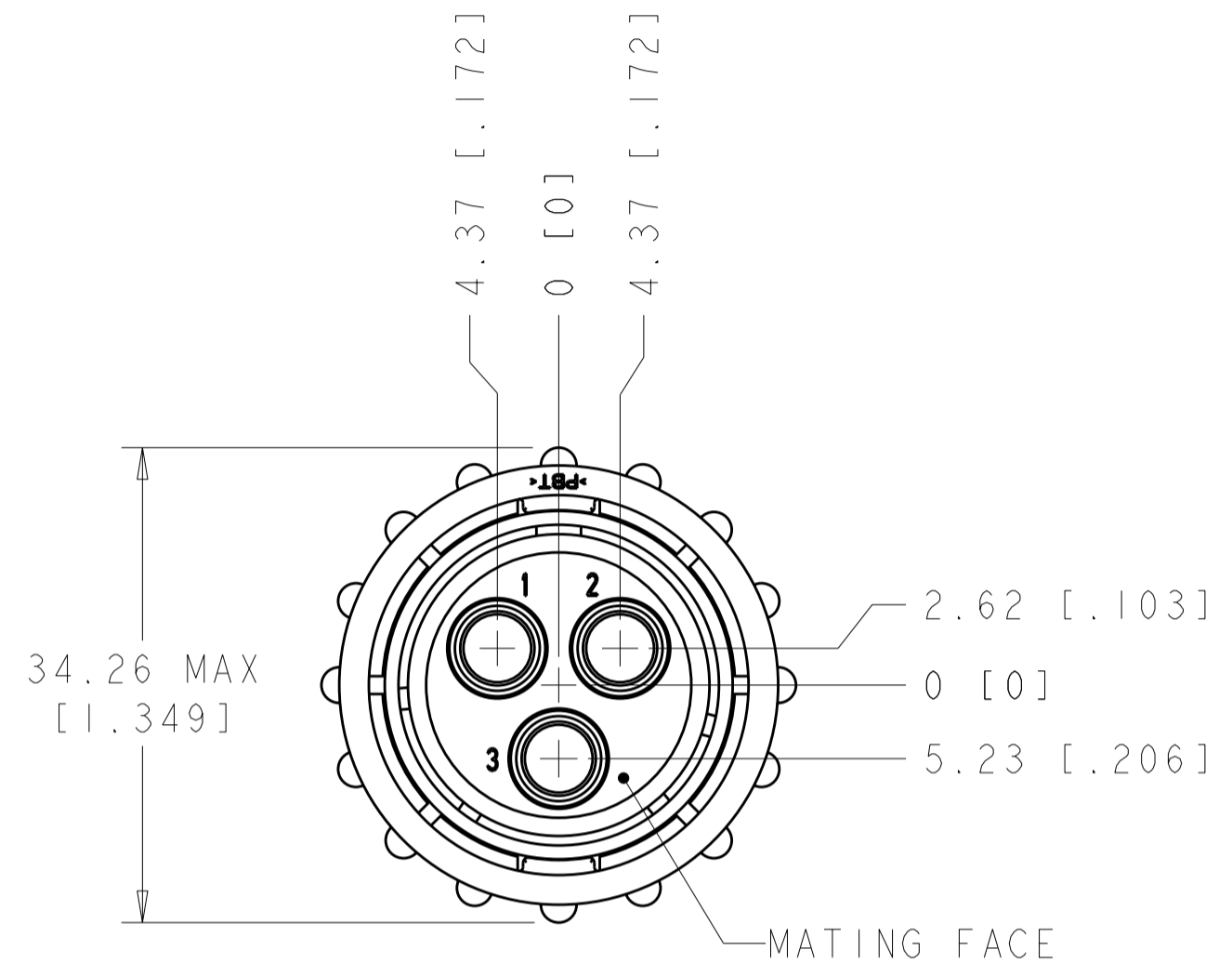


THIS DRAWING IS UNPUBLISHED. RELEASED FOR PUBLICATION
 © COPYRIGHT 20 BY - ALL RIGHTS RESERVED.

LOC	DIST	REVISIONS			
P	LTR	DESCRIPTION	DATE	DWN	APVD
FT	0	C2	REVISED PER ECO-11-005140	23MAR2011	RK HMR



- ① HOUSING & PRESSURE PLATE: NYLON, BLACK.
WIRE ENTRY SEAL: ELASTOMER, RED-IRON OXIDE.
- ② COUPLING RING: POLYESTER, BLACK.
- ③ COUPLING RING: POLYPHENYLENE OXIDE, BLACK.
- 4. WILL ACCEPT (3) POWER MALE CONTACTS.
- ⑤ OBSOLETE PARTS: OBSOLETE CIS STREAMLINING PER D.RENAUD/D.SINISI

⑤ OBSOLETE	① ③	2.41-5.21 [.095-.205]	788188-3
	① ②	3.81-6.73 [.150-.265]	788188-2
	① ②	2.41-5.21 [.095-.205]	788188-1
	MATERIAL & FINISH	INSULATION RANGE	PART NUMBER

THIS DRAWING IS A CONTROLLED DOCUMENT.		DWN S.WELDON 08FEB2000	TE Connectivity	
DIMENSIONS: mm [INCHES]		CHK K.DOWHOWER 08FEB2000		
TOLERANCES UNLESS OTHERWISE SPECIFIED:		APVD K.DOWHOWER 08FEB2000	NAME PLUG ASSEMBLY, SERIES 5, REVERSE SEX, SIZE 17-3, CIRCULAR PLASTIC CONNECTOR	
0 PLC ±	1 PLC ±	PRODUCT SPEC 108-1579	SIZE A2	CAGE CODE C-788188
2 PLC ±0.02	3 PLC ±	APPLICATION SPEC -	SCALE 2:1	SHEET 1 OF 1
4 PLC ±	ANGLES ±	WEIGHT -	RESTRICTED TO -	
MATERIAL ①	FINISH	CUSTOMER DRAWING	REV C2	

Mouser Electronics

Authorized Distributor

Click to View Pricing, Inventory, Delivery & Lifecycle Information:

[TE Connectivity:](#)

[788188-1](#)