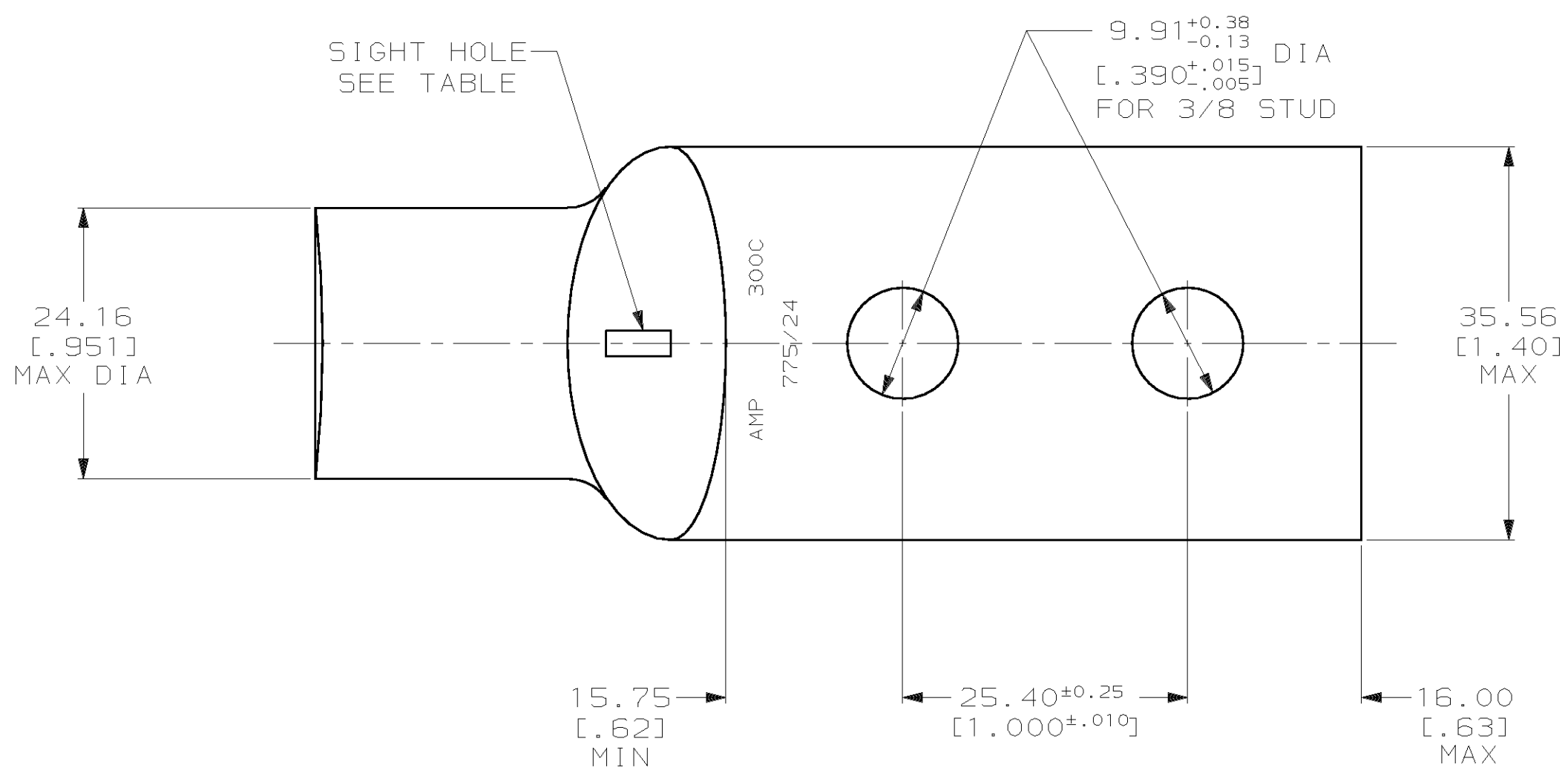
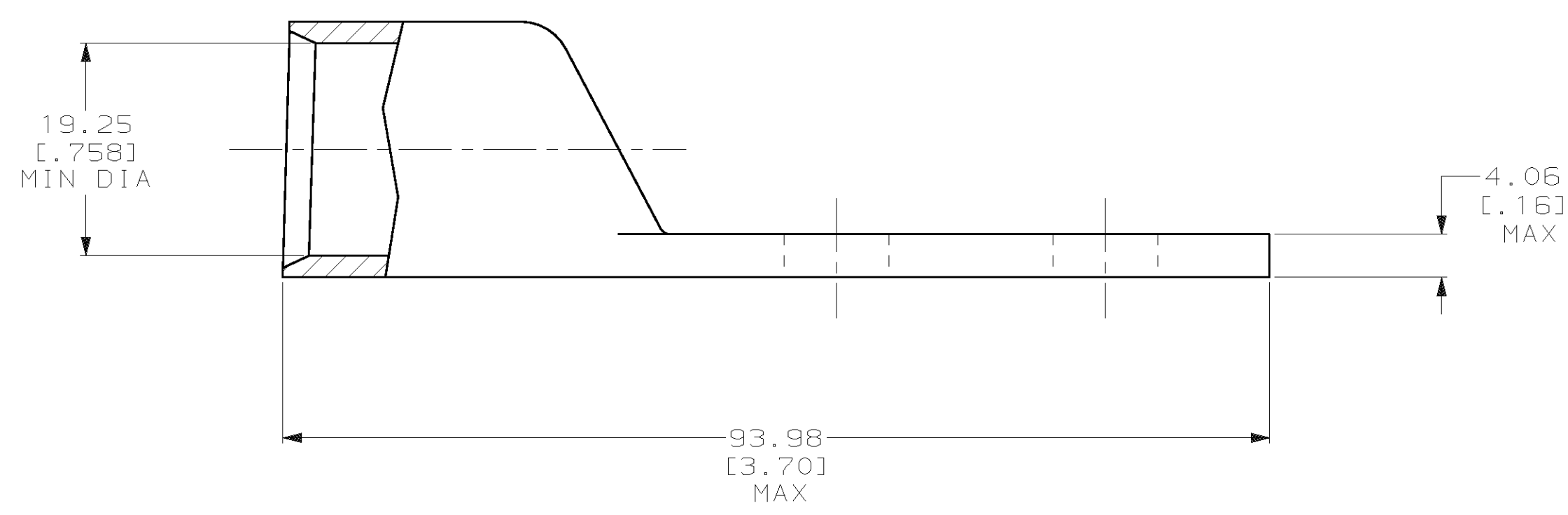


THIS DRAWING IS UNPUBLISHED. RELEASED FOR PUBLICATION, 19 .  
 © COPYRIGHT 19 BY AMP INCORPORATED. ALL INTERNATIONAL RIGHTS RESERVED.

LOC		DIST		P		F		ZONE		LTR		REVISIONS		DATE	APPD
G	86												REV PER 0G3A-0561-01	09OCT02	JR



1 CIRCULAR MIL AREA RANGE: 275-325 MCM  
 2 TIN PL 0.00381 [.000150] MIN THK PER MIL-T-10727



**METRIC**

DO NOT SCALE PRINT. UNLESS SPECIFIED DIMENSIONS IN mm [INCHES] TOLERANCES ON : 2 PLC DEC ± 0.51 [.020] 3 PLC DEC ± - ANGLES ± -	DR 02/28/90 DK SCHRUM CHK 23JAN95 MS FEHER APPD 23JAN95 WJ VOCKROTH APPD 23JAN95 TL SHUTTER
MATERIAL ANNEALED COPPER ASTM B-188	PRODUCT SPEC 108-30200
FINISH	APPLICATION SPEC -
	WEIGHT .215 LB

NONE	326805-1
REQUIRED	326805
SIGHT HOLE	PART NO
<b>AMP</b> AMP INCORPORATED Harrisburg, Pa. 17105	
NAME TERMINAL, AMPPOWER, WIRE SIZE: 300 MCM	
SIZE C	CAGE CODE 00779
SCALE 2:1	DRAWING NO 326805
	SHEET 1 OF 1

# Mouser Electronics

Authorized Distributor

Click to View Pricing, Inventory, Delivery & Lifecycle Information:

[TE Connectivity:](#)

[326805](#)