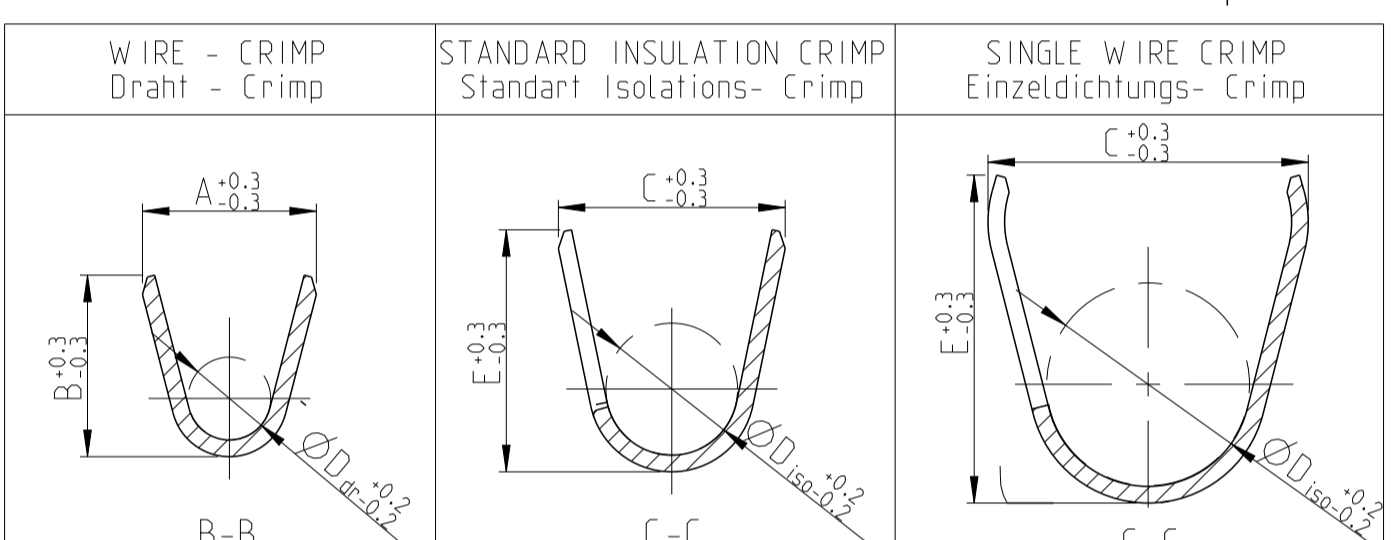
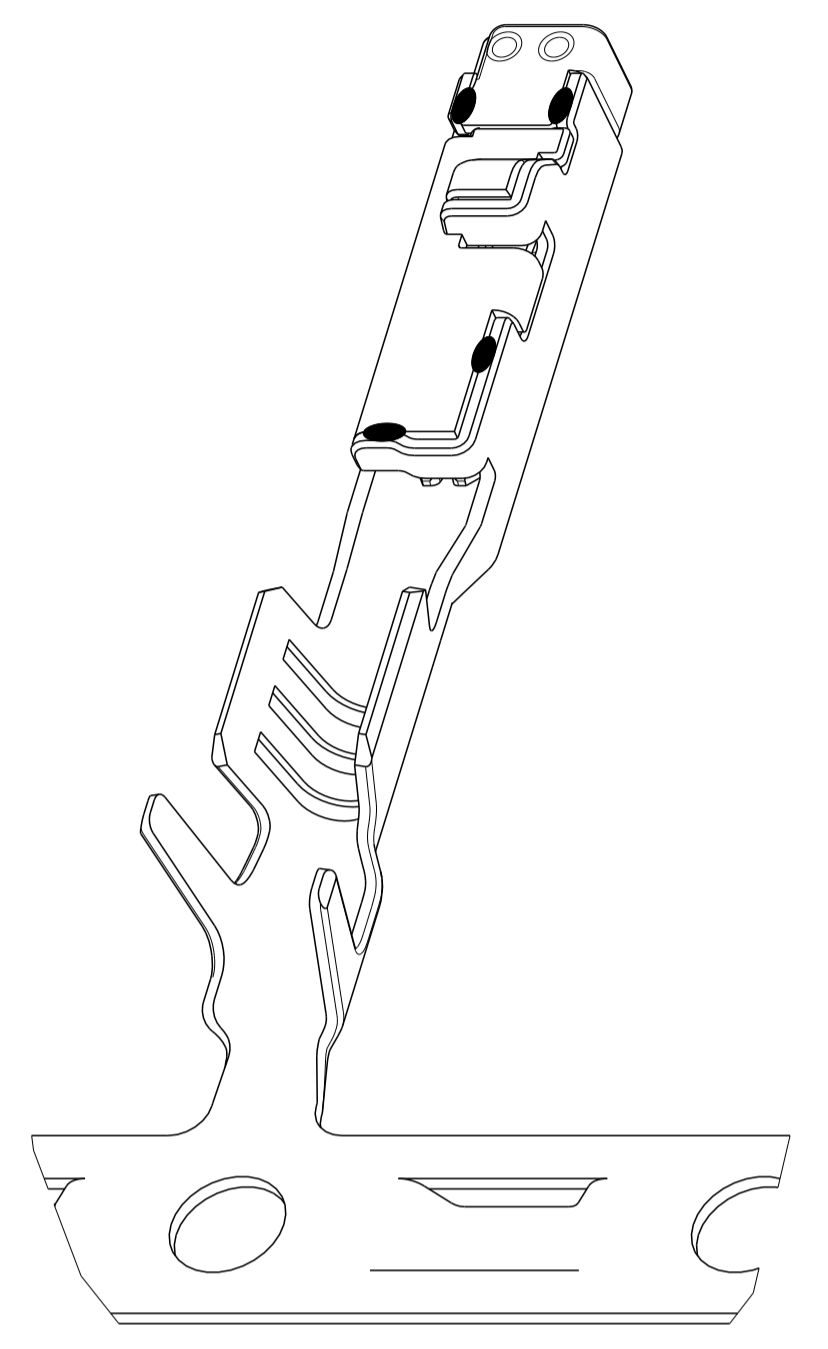
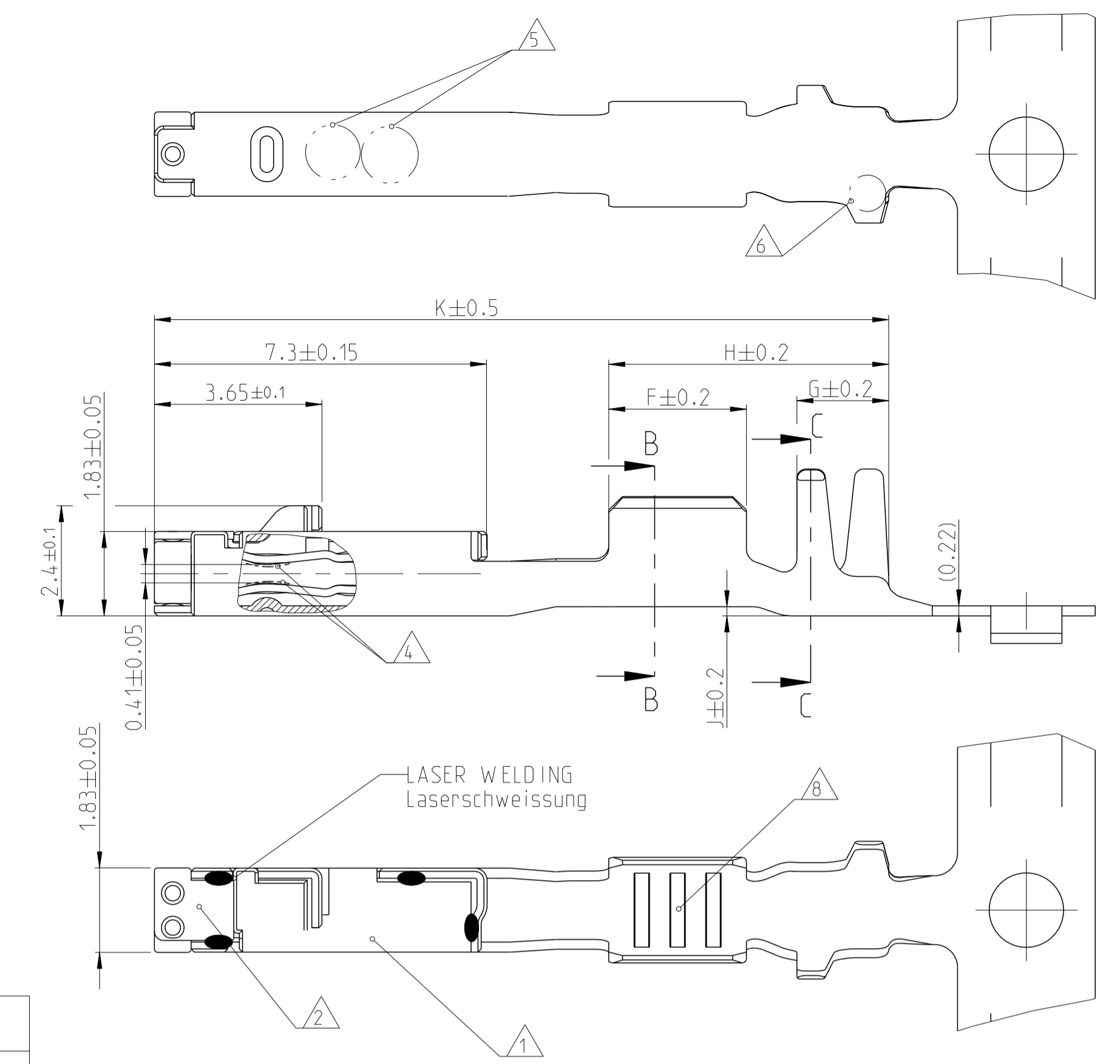
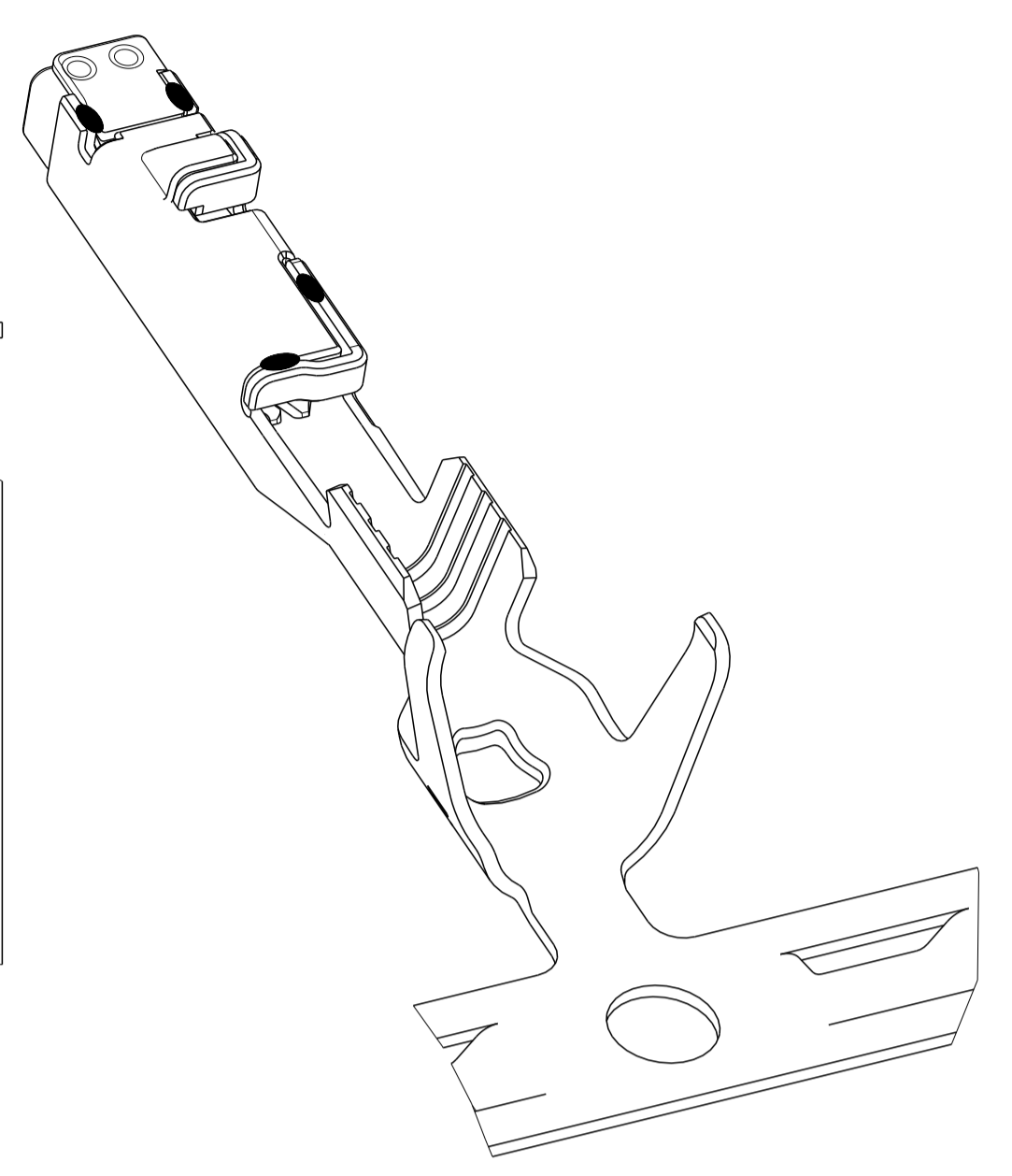
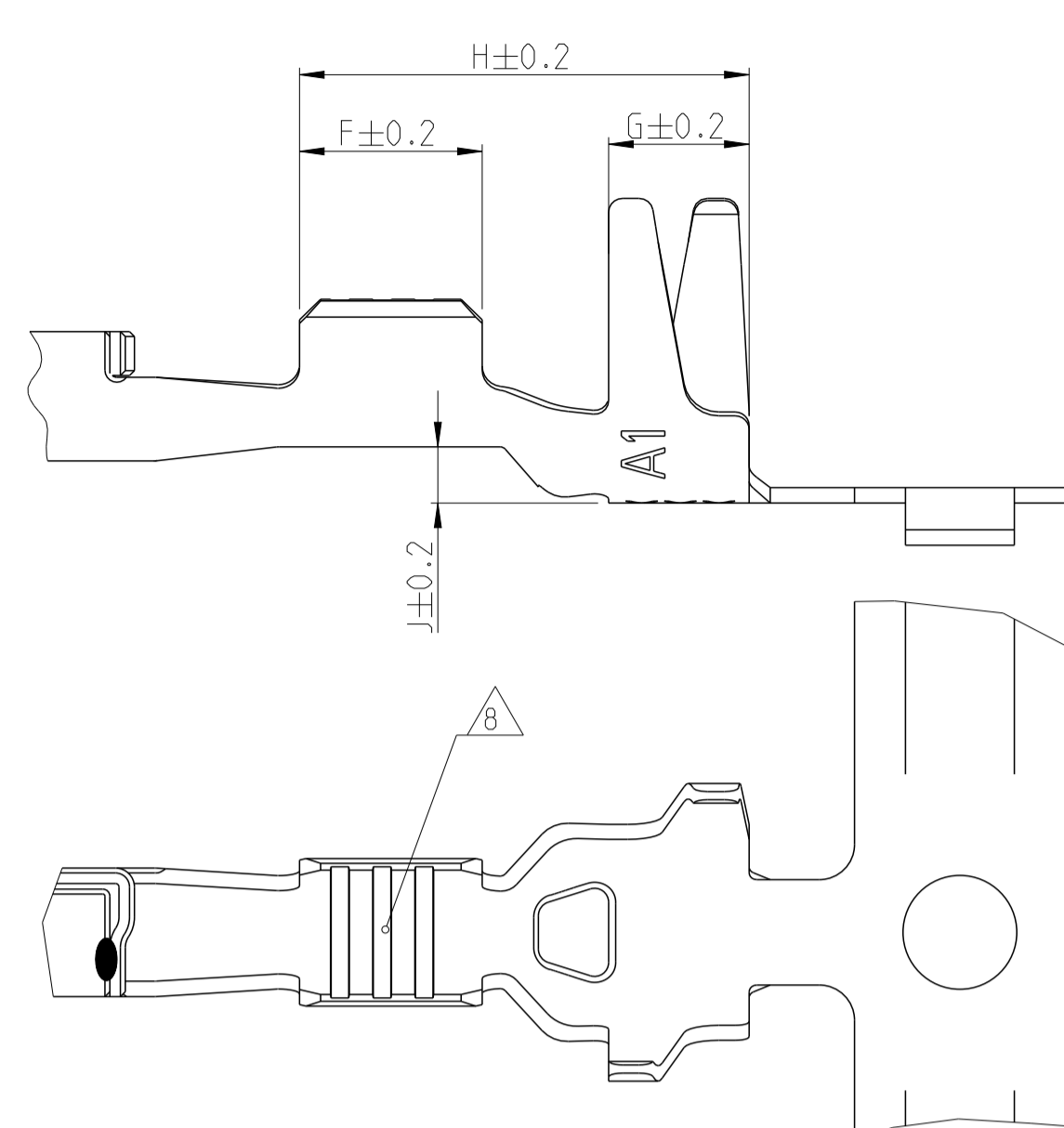


REVISIONS						
LOC	DIST	REV	DESCRIPTION	DATE	DWN	APVD
A1	-	G2	PN 1394897 AND 1418847 OBSOLETE	15NOV2012	S.R.	C.G.
		G3	ECR-14-006680 CANCELED	12JUN2014	Abt	Raab
		G4	Loose Piece Parts removed from Table. ECR-14-012725	25AUG2014	Abt	Raab
		G5	Tolerance from dim. J changed (drawing failure)	02FEB2015	Ho.	Raab



VERSION / Ausführung	Rev.	BODY Kontakt-koerper	SPRING Kontakt-feder	BODY Kontakt-koerper	SPRING Kontakt-feder	RANGE Bereich	AWG	mm ²	INSULATION-φ Isolations-φ	A (B) D _{Dr} C E D _{ISO}	LOOSE PIECE / Einzelausführung	AS PRODUCTS ON CARRIERSTRIP wie Bandware					TE NO.	MASTER APPLICATION-TOOL Basis Crimp-Werkzeug	DIE-PN FOR BASIC-HAND TOOL 539635-1 ERGO-CRIMP Matrizen PN fuer Basisbandzange 539635-1 ERGO-Crimp				
												F	G	H	J	K							
SINGLE WIRE SEAL / Einzeldichtung	1418841-3	-	CuSn0.15	CuNi3Si	TIN PLATED verzinkt	SILVER PLATED versilbert	0.14	26	0.14	1.05	-	2.6	2	6.4	0.8	16	967067-2	963142-2	1528151	4-1579001-8			
	1418841-2	-	CuSn0.15	CuNi3Si	TIN PLATED verzinkt	GOLD PLATED vergoldet	0.22	-	0.22	1.2	1.55	1.55	0.65	4.25	4.3	2.6	-	-	-	-			
STANDARD CRIMP	1418844-3	C	-	-	TIN PLATED verzinkt	SILVER PLATED versilbert	0.25	24	-	1.1	1.85	1.85	0.8	4.25	4.3	2.6	967067-2	963142-2	1528152	3-1579001-9			
	1418844-2	C	CuSn0.15	CuNi3Si	TIN PLATED verzinkt	GOLD PLATED vergoldet	0.35	-	0.35	1.75	-	-	-	-	-	-	967067-1	-	-	-			
	1418844-1	C	-	-	TIN PLATED verzinkt	SILVER PLATED versilbert	0.5	22	-	1.4	2.1	2.1	1.1	4.25	4.3	2.7	967067-1	963142-1	1528674	5-1579021-7			
	1670146-3	A	CuSn0.15	CuNi3Si	TIN PLATED verzinkt	GOLD PLATED vergoldet	0.75	-	0.75	1.9	-	-	-	-	-	-	-	-	-	-			
	1670146-2	A	-	-	TIN PLATED verzinkt	SILVER PLATED versilbert	0.5	20	0.5	1.4	2.3	2.5	1.1	4.25	4.3	2.7	967067-1	963142-2	1528153	3-1579001-8			
	1670146-1	A	CuSn0.15	CuNi3Si	TIN PLATED verzinkt	GOLD PLATED vergoldet	0.75	-	0.75	1.9	-	-	-	-	-	-	-	-	-	-			
	1418850-3	B	-	-	TIN PLATED verzinkt	SILVER PLATED versilbert	1.0	18	-	1.9	2.6	2.95	1.3	4.45	4.3	2.9	967067-1	967067-1	1528154	3-1579001-7			
	1418850-2	B	CuSn0.15	CuNi3Si	TIN PLATED verzinkt	GOLD PLATED vergoldet	1.5	16	-	2.4	-	-	-	-	-	-	-	-	-	-			
	1418850-1	B	-	-	TIN PLATED verzinkt	SILVER PLATED versilbert	1.5	16	-	2.4	-	-	-	-	-	-	-	-	-	-			
	1452500-3	-	-	-	TIN PLATED verzinkt	SILVER PLATED versilbert	0.14	26	0.14	1.05	-	-	-	-	-	-	-	-	-	-			
	1452500-2	-	CuSn0.15	CuNi3Si	TIN PLATED verzinkt	GOLD PLATED vergoldet	0.22	-	0.22	1.2	1.55	1.55	0.65	2.1	2.1	1.1	2.6	2	5.7	0	15	1528146	3-1579001-6
	1452500-1	-	-	-	TIN PLATED verzinkt	SILVER PLATED versilbert	0.25	-	0.25	1.1	-	-	-	-	-	-	-	-	-	-			
1534594-3	E	-	-	TIN PLATED verzinkt	GOLD PLATED vergoldet	0.35	24	-	1.75	1.85	1.85	0.8	2.65	2.65	1.4	2.6	2	5.7	0.2	15	1528147	0-1579001-6	
1534594-2	E	CuSn0.15	CuNi3Si	TIN PLATED verzinkt	SILVER PLATED versilbert	0.5	20	0.5	1.4	2.1	2.1	1.1	2.8	2.9	1.6	3	2	6.1	0.2	16	1528673	5-1579021-6	
1534594-1	E	-	-	TIN PLATED verzinkt	GOLD PLATED vergoldet	0.75	-	0.75	1.9	-	-	-	-	-	-	-	-	-	-				
1670144-3	A	CuSn0.15	CuNi3Si	TIN PLATED verzinkt	SILVER PLATED versilbert	0.5	20	0.5	1.4	2.3	2.5	1.1	3	3.2	1.75	3	2	6.1	0.2	16	1528148	0-1579001-5	
1670144-2	A	-	-	TIN PLATED verzinkt	GOLD PLATED vergoldet	0.75	-	0.75	1.9	-	-	-	-	-	-	-	-	-	-				
1670144-1	A	-	-	TIN PLATED verzinkt	SILVER PLATED versilbert	0.75	-	0.75	1.9	-	-	-	-	-	-	-	-	-	-				
1394897-3	E	-	-	TIN PLATED verzinkt	GOLD PLATED vergoldet	0.5	20	0.5	1.4	2.3	2.5	1.1	3	3.2	1.75	3	2	6.1	0.2	16	1528148	0-1579001-5	
1394897-2	E	CuSn0.15	CuNi3Si	TIN PLATED verzinkt	SILVER PLATED versilbert	0.75	-	0.75	1.9	-	-	-	-	-	-	-	-	-	-				
1394897-1	E	-	-	TIN PLATED verzinkt	GOLD PLATED vergoldet	0.75	-	0.75	1.9	-	-	-	-	-	-	-	-	-	-				
1452503-3	C	-	-	TIN PLATED verzinkt	SILVER PLATED versilbert	1.0	18	-	1.9	2.6	2.95	1.3	3.75	3.95	2.1	3	2	6.1	0.2	16	1528150	1-1579001-3	
1452503-2	C	CuSn0.15	CuNi3Si	TIN PLATED verzinkt	GOLD PLATED vergoldet	1.5	16	-	2.4	-	-	-	-	-	-	-	-	-	-				
1452503-1	C	-	-	TIN PLATED verzinkt	SILVER PLATED versilbert	1.5	-	1.5	2.4	-	-	-	-	-	-	-	-	-	-				

NOTES

- 1 BODY
- 2 SPRING
- 3 ONLY FOR FLR-WIRE SEE DIN 72551. PART 6 AND AWG WIRE ACCORDING DC-SPEC: MS-8288; MS-7889; MS-9532
- 4 SURFACE
 - a) BODY -PRE TIN 1 TO 3 µm
 - b) SPRING -PRE TIN SnAg 1 TO 3µm -GOLD PLATED MIN. 0.8µm (ONLY CONTACT AREA) -SILVER PLATED 2 TO 5µm (ONLY CONTACT AREA)
- 5 STAMPED INDICATOR FOR PLATING:
 - A U GOLD PLATING
 - A G SILVER PLATING
 - TIN PLATING WITHOUT INDICATOR
- 6 OPTIONAL DATE CODE
- 7 1394897-1, -2, -3 superseded by 1670144-1, -2, -3 1418847-1, -2, -3 superseded by 1670146-1, -2, -3

CAUTION!
 PART NUMBERS 1670144 AND 1670146 ARE PROCESSED WITH OTHER CRIMP HEIGHTS. SEE APPLICATION SPECIFICATION NO.114-18464 UP FROM REVISION "P"

8 DIFFERENT FORM OF THE SERRATIONS POSSIBLE

Bemerkungen

- 1 Kontaktkoerper
- 2 Kontaktfeder
- 3 Nur fuer FLR-Leitung nach DIN 72551. Teil 6 und AWG Leitung nach DC-Spec: MS-8288; MS-7889; MS-9532
- 4 Oberflaeche
 - a) Kontaktkoerper -verzinkt 1 bis 3 µm
 - b) Kontaktfeder -verzinkt SnAg 1 bis 3µm -galv. vergoldet min. 0.8µm (nur Kontaktzone) -galv. versilbert 2 bis 5µm (nur Kontaktzone)
- 5 Markierung fuer galvanische Ausfuehrung:
 - A U vergoldet
 - A G versilbert
 - Verzinkt: ohne Markierung
- 6 Optional Datumscode
- 7 1394897-1, -2, -3 ersetzt durch 1670144-1, -2, -3 1418847-1, -2, -3 ersetzt durch 1670146-1, -2, -3
- 8 Unterschiedliche Ausfuehrung der Rillen moeglich

THIS DRAWING IS A CONTROLLED DOCUMENT.		TOLERANCING ISO 8015 TOLERIERUNG ISO 8015	
DIMENSIONS: mm		DWN: G. Hotea 17AUG2001 CHK: E. Herth 11MAR2002 APVD: H. Wendling 12MAR2002	
TOLERANCES UNLESS OTHERWISE SPECIFIED:		NAME: MCON 1.2 CB (CLEAN BODY)	
0 PLC #±0.2	1 PLC #±0.2	2 PLC #±0.2	3 PLC #±0.2
4 PLC #±0.2	5 PLC #±0.2	6 PLC #±0.2	7 PLC #±0.2
8 PLC #±0.2	9 PLC #±0.2	10 PLC #±0.2	11 PLC #±0.2
12 PLC #±0.2	13 PLC #±0.2	14 PLC #±0.2	15 PLC #±0.2
MATERIAL: -		SIZE: 114-18464	
FINISH: -		WEIGHT: 0.18 g	
EXTRACTION TOOL: Ausdruckwerkzeug		Customer Drawing	
EXTRACTION TOOL FOR SECONDARY LOCK: Ausdruckwerkzeug fuer zweite Kontaktsicherung		SCALE: 10:1	
DIE-PN FOR BASIC-HAND TOOL: 539635-1 ERGO-CRIMP Matrizen PN fuer Basisbandzange 539635-1 ERGO-Crimp		SHEET: 1 of 1	
REV. NO.:		REV. G5	

Mouser Electronics

Authorized Distributor

Click to View Pricing, Inventory, Delivery & Lifecycle Information:

[TE Connectivity:](#)

[1670144-1](#) [1670144-1 \(Loose Piece\)](#) [1670144-1 \(Cut Strip\)](#)