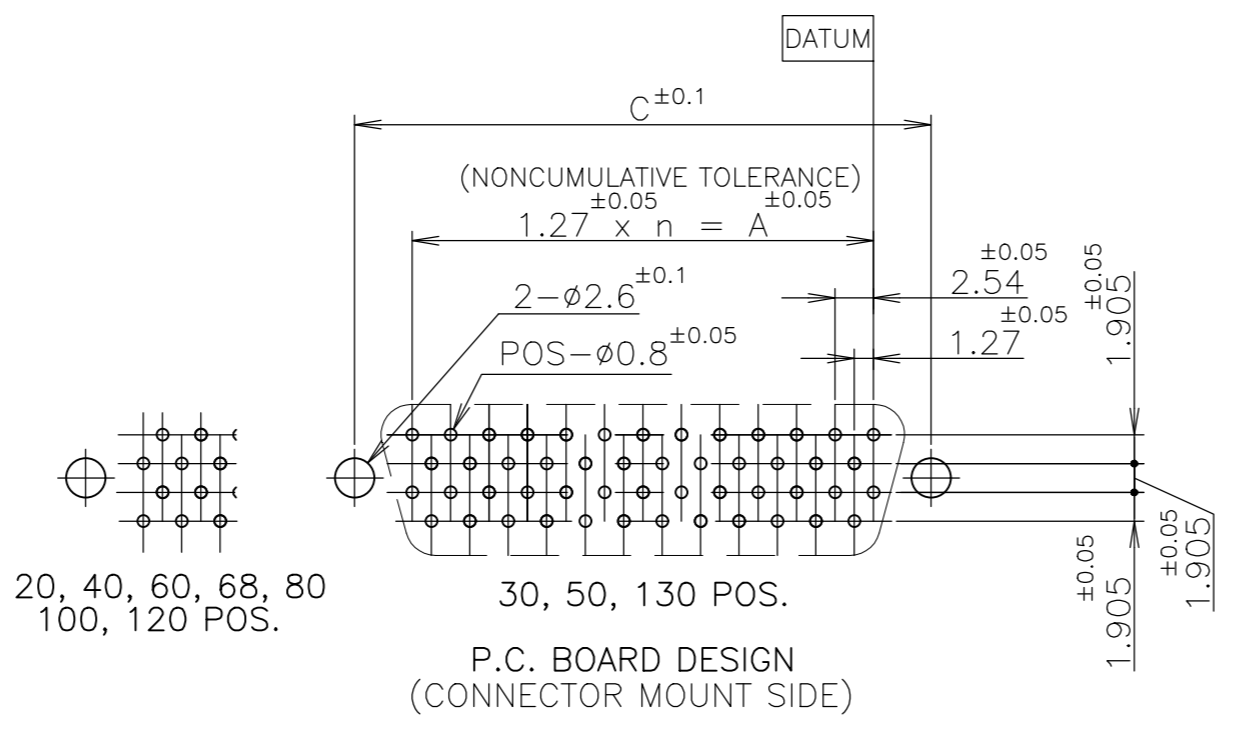
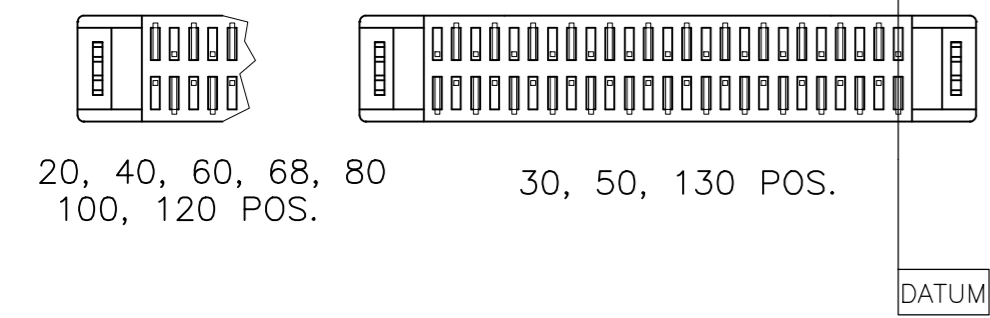
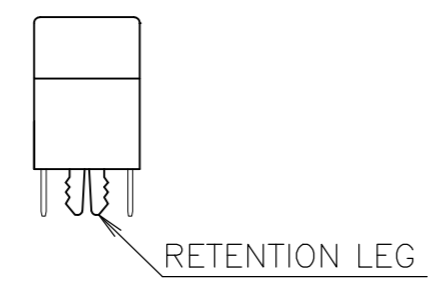
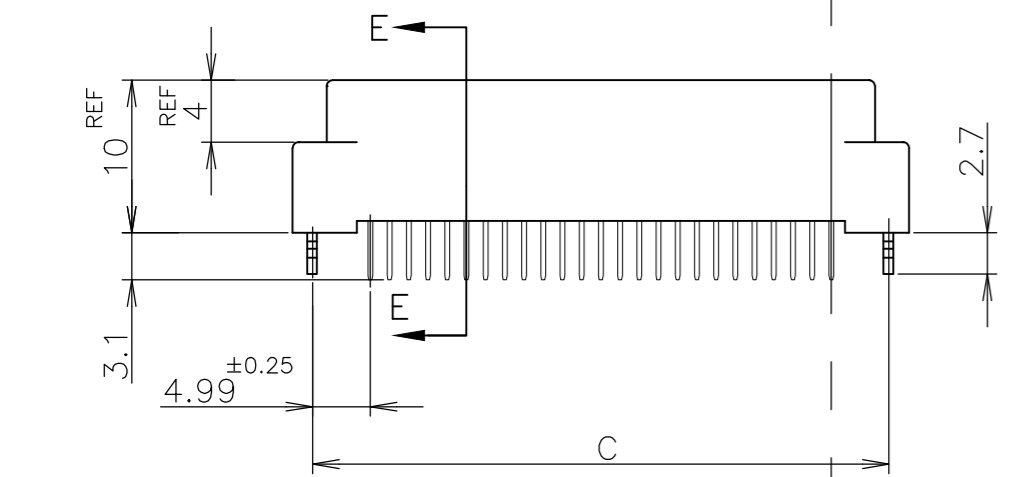
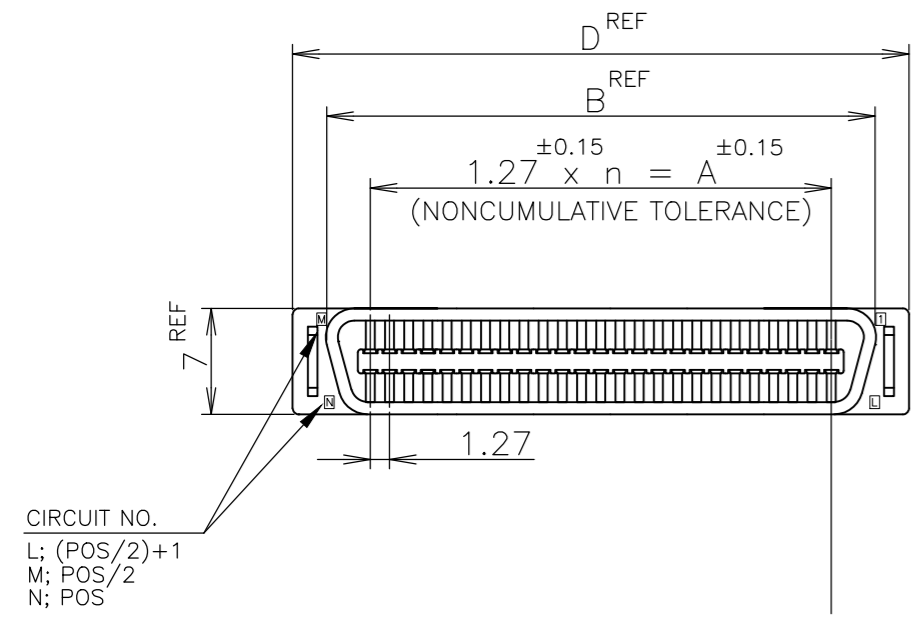
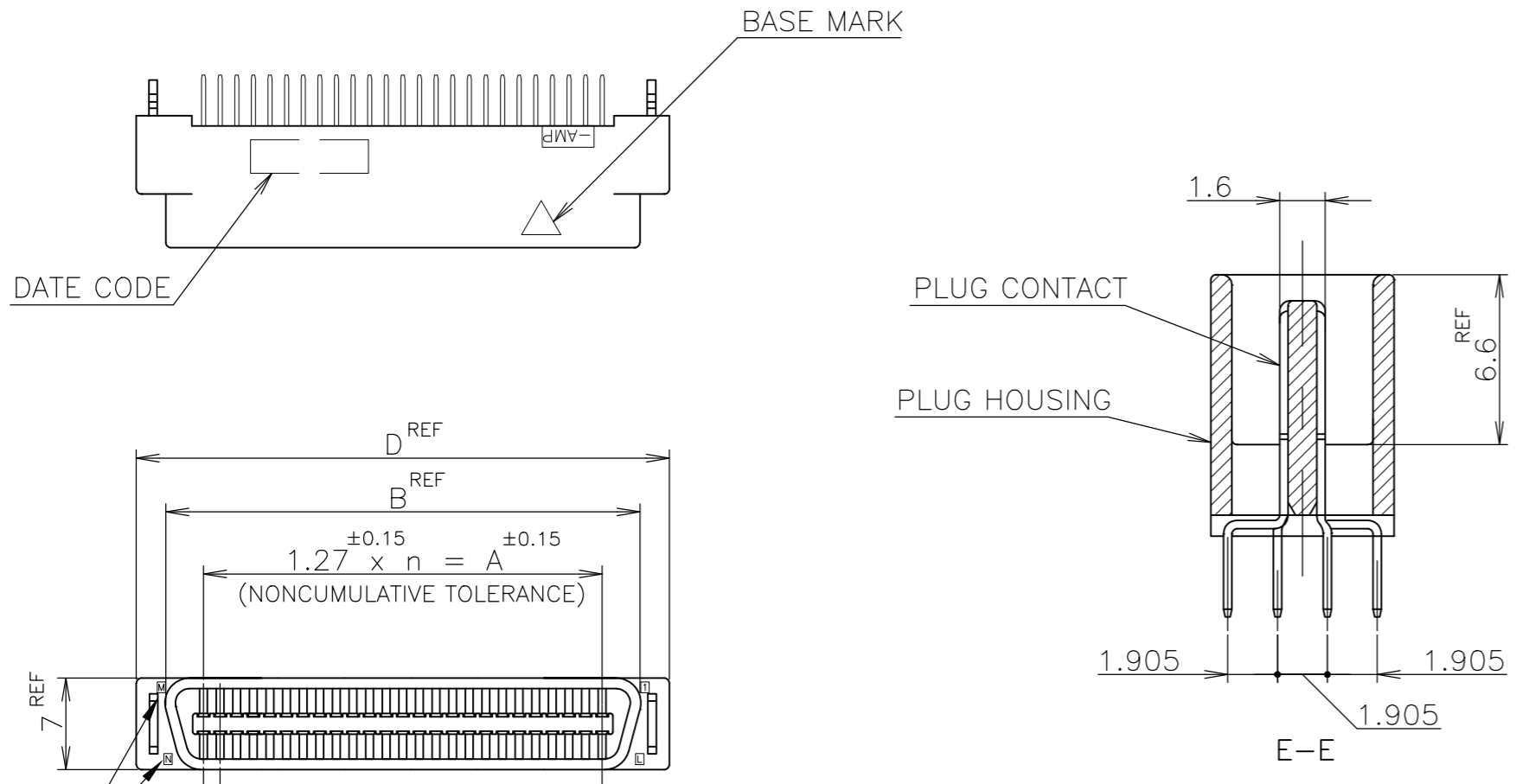


REVISIONS					
P	LTR	DESCRIPTION	DATE	DWN	APVD
C		REVISED PER ECO-17-008763	22JAN2018	RG	SH

- 1 NUMBER "n" S COUNTED FROM DATUM (CIRCUIT NO.1 IS "AMP" MARK SIDE.)
- 2 MATERIAL: HOUSING; 66 NYLON (GF) UL 94V-0, BLACK.  
: CONTACT; PHOSPHOR BRONZE.  
: RETENTION LEG; BRASS.
- 3 FINISH: CONTACT; Au AT CONTACT AREA (SEE TABLE),  
TIN AT TINE OVER Ni.  
RETENTION LEG; TIN UNDER Ni.



POS.	n	A	B	C	D
6-	-2	130	64	81.28	89.62
6-	-1	120	59	74.93	83.27
6-	-0	100	49	62.23	70.57
5-	-9	80	39	49.53	57.87
5-	-8	68	33	41.91	50.25
5-	-7	60	29	36.83	45.17
5-	-6	50	24	30.48	38.82
5-	-5	40	19	24.13	32.47
OBSOLETE	5-	30	14	17.78	26.12
5-	-3	0.00076	20	9	11.43
OBSOLETE	4-	130	64	81.28	89.62
OBSOLETE	4-	120	59	74.93	83.27
4-	-0	100	49	62.23	70.57
3-	-9	80	39	49.53	57.87
3-	-8	68	33	41.91	50.25
3-	-7	60	29	36.83	45.17
OBSOLETE	3-	50	24	30.48	38.82
3-	-5	40	19	24.13	32.47
3-	-3	30	14	17.78	26.12
3-	-1	0.0005	20	9	11.43
OBSOLETE	1-	130	64	81.28	89.62
1-	-1	120	59	74.93	83.27
1-	-0	100	49	62.23	70.57
OBSOLETE	-9	80	39	49.53	57.87
-8		68	33	41.91	50.25
-7		60	29	36.83	45.17
-6		50	24	30.48	38.82
-5		40	19	24.13	32.47
-3		30	14	17.78	26.12
5175473-1	0.0002	20	9	11.43	19.77

LEAD FREE

GENERAL TOLERANCE	
10 ≥ :	±0.2
30 > 10:	±0.25
100 ≥ > 30:	±0.3
ANGLES:	±3°

THIS DRAWING IS A CONTROLLED DOCUMENT.

DWN: Julyee Zhu 19AUG2004	TE Connectivity Ltd.				
CHK: Steven Yao 19AUG2004					
APVD: Ikuo Enomoto 19AUG2004					
NAME: 108-60038					
DIMENSIONS: mm	TOLERANCES UNLESS OTHERWISE SPECIFIED:	PRODUCT SPEC: 108-60038	APPLICATION SPEC:		
0 PLC ±	1 PLC ±	2 PLC ±	3 PLC ±	4 PLC ±	WEIGHT: 0.000000
ANGLES ±	FINISH: 3	CUSTOMER DRAWING		SCALE: NTS	SHEET: 1 of 1

# Mouser Electronics

Authorized Distributor

Click to View Pricing, Inventory, Delivery & Lifecycle Information:

[TE Connectivity:](#)

[5-5175473-1](#)