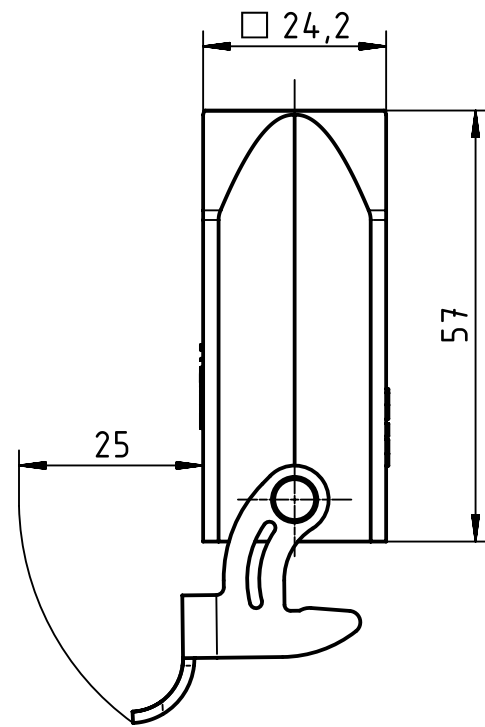
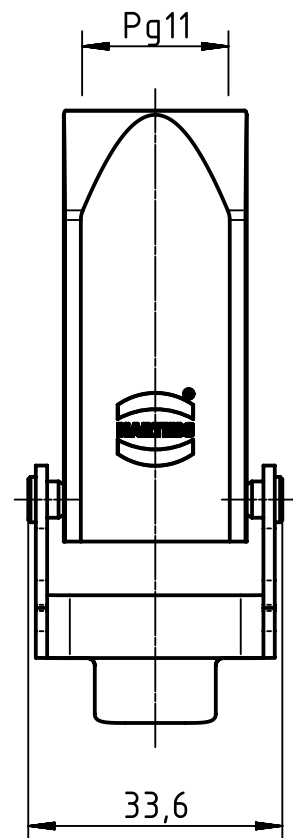
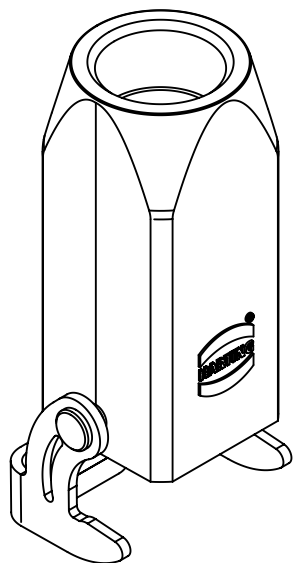



A

B

C

D



	All rights reserved Department EL PD - DE	All Dimensions in mm Original Size DIN A4		Scale 1:1	Free size tol.		Ref. Sub. TB 09 62 003 1750 v. 11.08.98		
		HARTING Electric GmbH & Co. KG D-32339 Espelkamp	Created by SPRENB	Inspected by BERGHORN	Standardisation TIEMANNA	Date 2013-06-13	State Final Release		Doc-Key / ECM-Nr. 100540869/UGD/001/A 500000060959
		Title Han 3 EMC Hood Coupler 1 Lever PG 11						Rev. A	
		Type TB		Number 09 62 003 1750				Page 1/1	

Mouser Electronics

Authorized Distributor

Click to View Pricing, Inventory, Delivery & Lifecycle Information:

[HARTING:](#)

[09620031750](#)