

PLEASE CHECK WWW.MOLEX.COM FOR LATEST PART INFORMATION

Part Number: [5013280222](#)
Status: **Active**
Overview: Inertia Lock Wire-to-Wire System
Description: 3.30mm Pitch Wire-to-Wire Inertia Lock Receptacle Housing, Single Row, 2 Circuits, Red

Documents:

[3D Model](#) [Product Specification PS-501328-001 \(PDF\)](#)
[Drawing \(PDF\)](#) [RoHS Certificate of Compliance \(PDF\)](#)

General

Product Family	Crimp Housings
Series	501328
Application	Signal, Wire-to-Wire
Overview	Inertia Lock Wire-to-Wire System
Product Name	Inertia Lock
UPC	822348797011

Physical

Circuits (maximum)	2
Color - Resin	Red
Gender	Female
Glow-Wire Compliant	No
Lock to Mating Part	Yes
Material - Resin	Nylon
Net Weight	680.000/mg
Number of Rows	1
Packaging Type	Bag
Panel Mount	No
Pitch - Mating Interface	3.30mm
Polarized to Mating Part	Yes
Stackable	No
Temperature Range - Operating	-25°C to +80°C

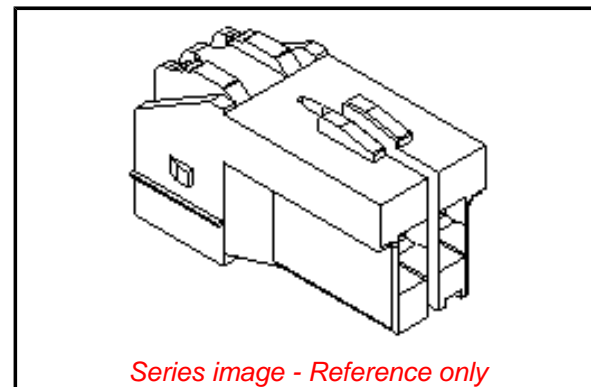
Electrical

Current - Maximum per Contact	4.0A
-------------------------------	------

Material Info

Reference - Drawing Numbers

Product Specification	PS-501328-001, RPS-501328-002, RPS-501328-003
Sales Drawing	SD-501328-001



EU ELV

Not Relevant

EU RoHS

Compliant

REACH SVHC

Not Contained Per -
ED/21/2016 (20 June
2016)

Halogen-Free

Status

Low-Halogen

**Need more information on product
environmental compliance?**

Email productcompliance@molex.com
Please visit the [Contact Us](#) section for any
non-product compliance questions.

China ROHS
ELV

Green Image
Not Relevant

Search Parts in this Series

[501328](#) Series

Mates With

[501329-0222](#) Plug Housing . [56265](#) Plug
Terminal for 18-20 AWG. [56279](#) Plug
Terminal for 22-26 AWG

Use With

[51348-0213](#) Retainer . [501395](#) Receptacle
Terminal for 18-20 AWG. [500989](#)
Receptacle Terminal for 22-26 AWG

Mouser Electronics

Authorized Distributor

Click to View Pricing, Inventory, Delivery & Lifecycle Information:

[Molex:](#)

[501328-0222](#)