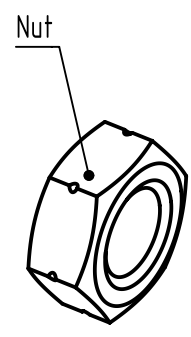
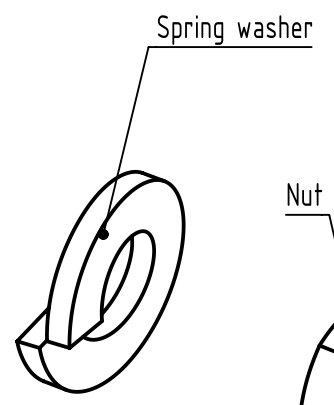
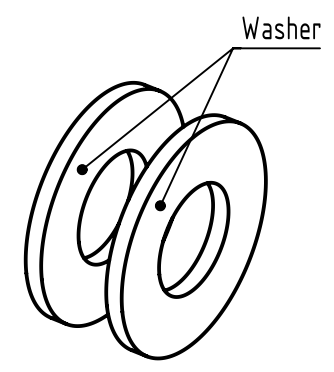
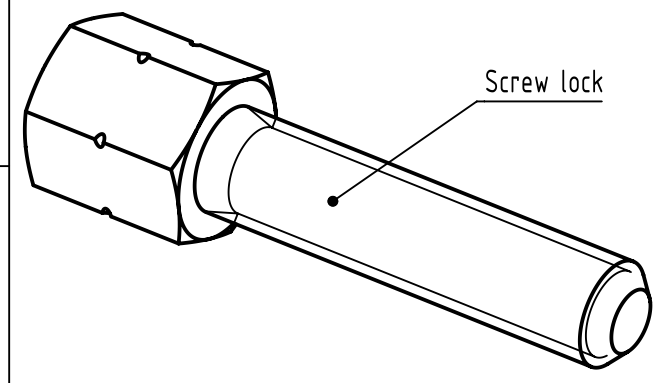
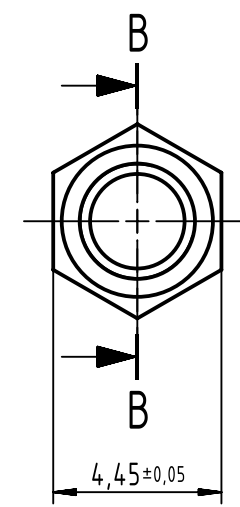
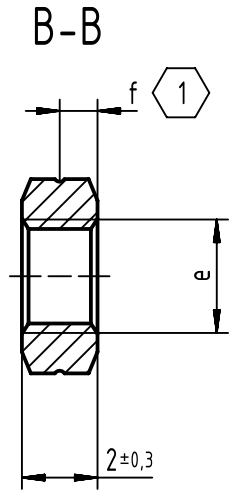
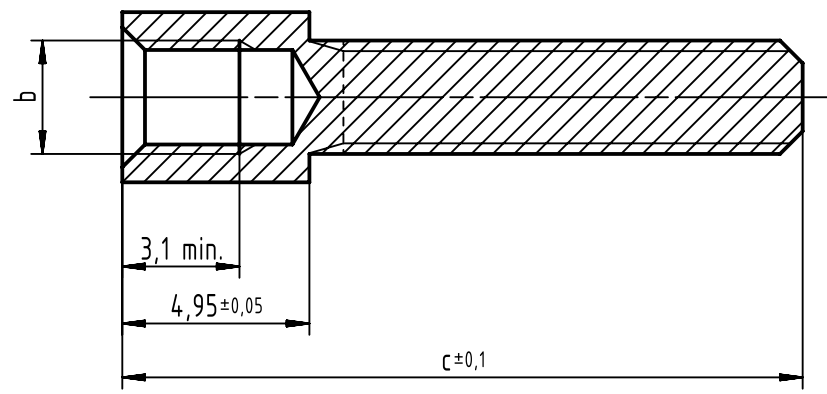




A-A



① Special thread marking

	All rights reserved		Created by ZENG D		Inspected by LUOK		Standardisation HOFFMANN		Date 2018-08-15		State Final Release	
	Department EL PD		Title D-Sub female screw lock set with washer, spring washer & nut		Doc-Key / ECM-Nr. 100798388/UGD/000/A 500000137330		Rev. A		Page 1/2			
HARTING Electronics GmbH D-32339 Espelkamp			Type TB		Number 096700099YY							

1	2		3	4	5	6	7	8				
No.	Part Number	Product packaging	Set packaging		Further packaging	Outer thread a	Inner thread b	Total length c	d	Nut thread e	f	
A	1	09670009922	set	2 screwlocks, 4 washer, 2 spring washer, 2 nut in a bag		50 sets in a bag	4-40 UNC	4-40 UNC	13	no	4-40 UNC	no
	2	09670009922580	big set	5000 screwlocks, 10000 washer, 5000 spring washer, 5000 nut, each in a bag		single bags in further bag	4-40 UNC	4-40 UNC	13	no	4-40 UNC	no
	3	09670009924	set	2 screwlocks, 4 washer, 2 spring washer, 2 nut in a bag		50 sets in a bag	M3	4-40 UNC	13	4,1	M3	1
	4	09670009924580	big set	5000 screwlocks, 10000 washer, 5000 spring washer, 5000 nut, each in a bag		single bags in further bag	M3	4-40 UNC	13	4,1	M3	1
	5	09670009960	set	2 screwlocks, 4 washer, 2 spring washer, 2 nut in a bag		50 sets in a bag	4-40 UNC	M3	13	0,9	4-40 UNC	no
	6	09670009961	set	2 screwlocks, 4 washer, 2 spring washer, 2 nut in a bag		50 sets in a bag	M3	M3	13	2,5	M3	1
	7	09670009973	set	2 screwlocks, 4 washer, 2 spring washer, 2 nut in a bag		50 sets in a bag	4-40 UNC	4-40 UNC	18	no	4-40 UNC	no
B	8	09670009973580	big set	5000 screwlocks, 10000 washer, 5000 spring washer, 5000 nut, each in a bag		single bags in further bag	4-40 UNC	4-40 UNC	18	no	4-40 UNC	no
	9	09670009962	set	2 screwlocks, 4 washer, 2 spring washer, 2 nut in a bag		50 sets in a bag	M3	4-40 UNC	18	4,1	M3	1
	10	09670009963	set	2 screwlocks, 4 washer, 2 spring washer, 2 nut in a bag		50 sets in a bag	4-40 UNC	M3	18	0,9	4-40 UNC	no
	11	09670009964	set	2 screwlocks, 4 washer, 2 spring washer, 2 nut in a bag		50 sets in a bag	M3	M3	18	2,5	M3	1
	12	09670009965	set	2 screwlocks, 4 washer, 2 spring washer, 2 nut in a bag		50 sets in a bag	4-40 UNC	4-40 UNC	22	no	4-40 UNC	no
	13	09670009966	set	2 screwlocks, 4 washer, 2 spring washer, 2 nut in a bag		50 sets in a bag	M3	4-40 UNC	22	4,1	M3	1
	14	09670009967	set	2 screwlocks, 4 washer, 2 spring washer, 2 nut in a bag		50 sets in a bag	4-40 UNC	M3	22	0,9	4-40 UNC	no
C	15	09670009968	set	2 screwlocks, 4 washer, 2 spring washer, 2 nut in a bag		50 sets in a bag	M3	M3	22	2,5	M3	1
	16											
	17											
	18											
	19											
	20											
	21											
D	22											
	23											
	24											
	25											
	26											
	27											
	28											
E	29											
	30											
	31											
	32											

 All rights reserved Department EL PD HARTING Electronics GmbH D-32339 Espelkamp					 All Dimensions in mm Original Size DIN A3		Scale 5:1 Free size tol.		Ref. Sub.	
					Created by ZENG D Inspected by LUOK		Standardisation HOFFMANN Date 2018-08-15 State Final Release		Title D-Sub female screw lock set with washer, spring washer & nut Doc-Key / ECM-Nr. 100798388/UGD/000/A 500000137330	
					Type TB		Number 096700099YY		Rev. A Page 2/2	

# Mouser Electronics

Authorized Distributor

Click to View Pricing, Inventory, Delivery & Lifecycle Information:

[HARTING:](#)

[09670009924](#) [09670009922](#) [09670009973](#)