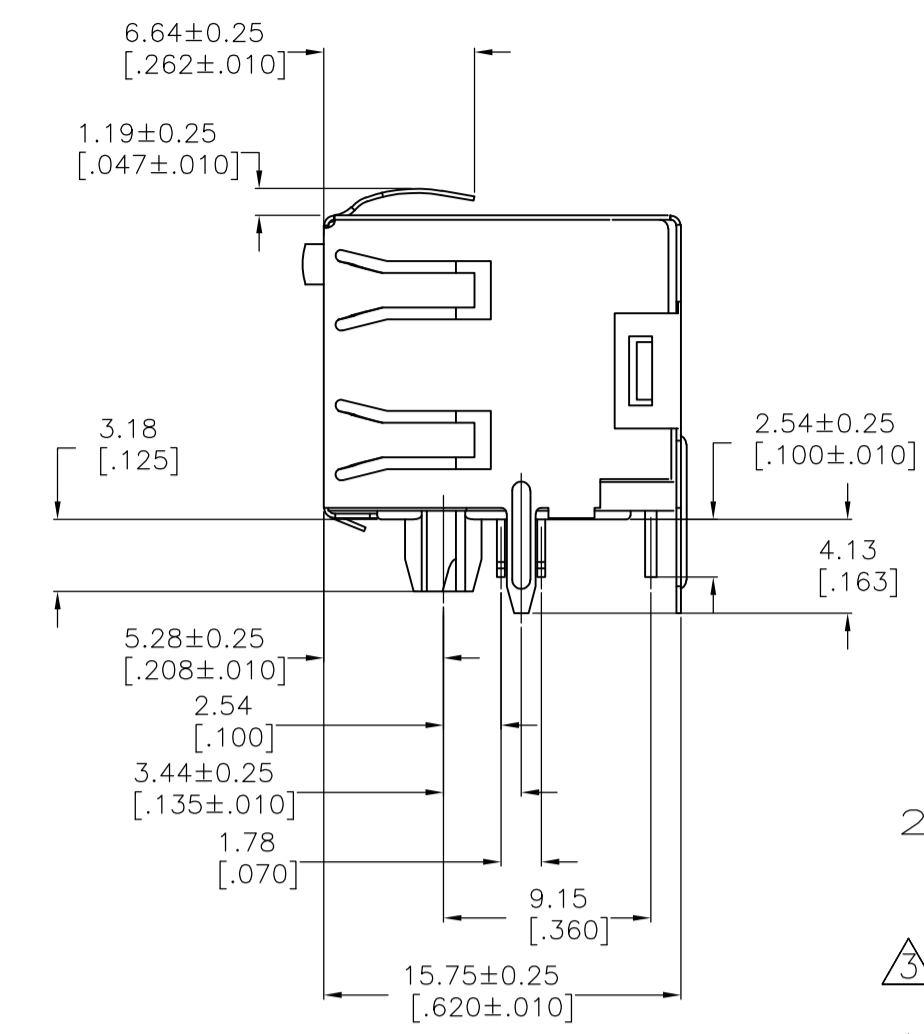
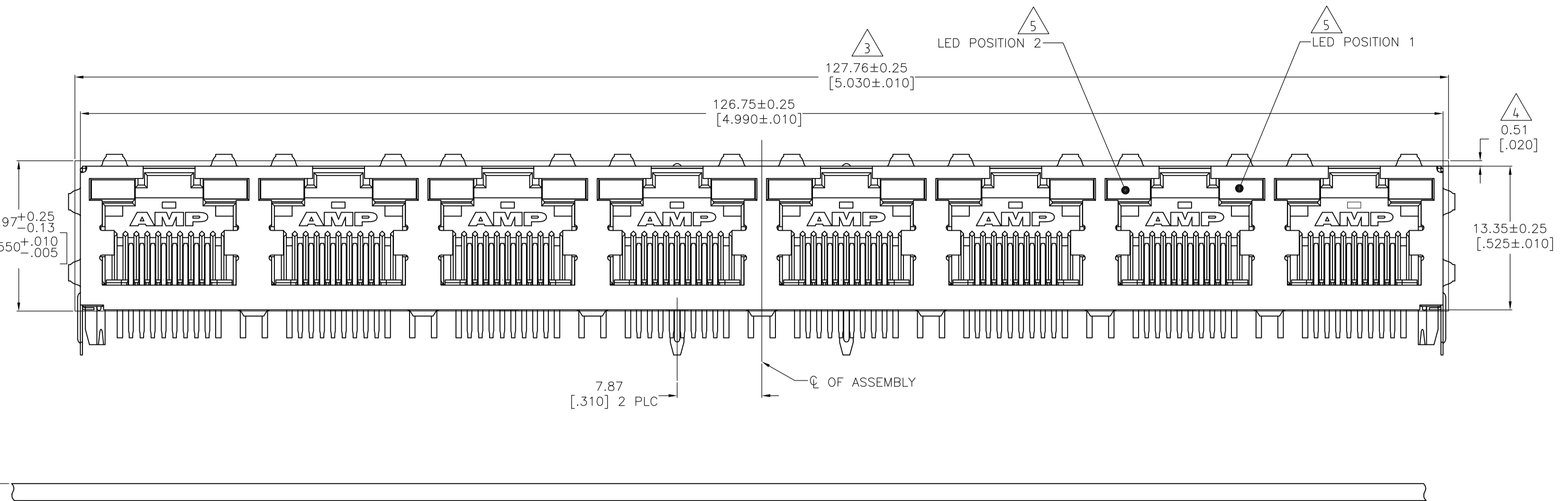
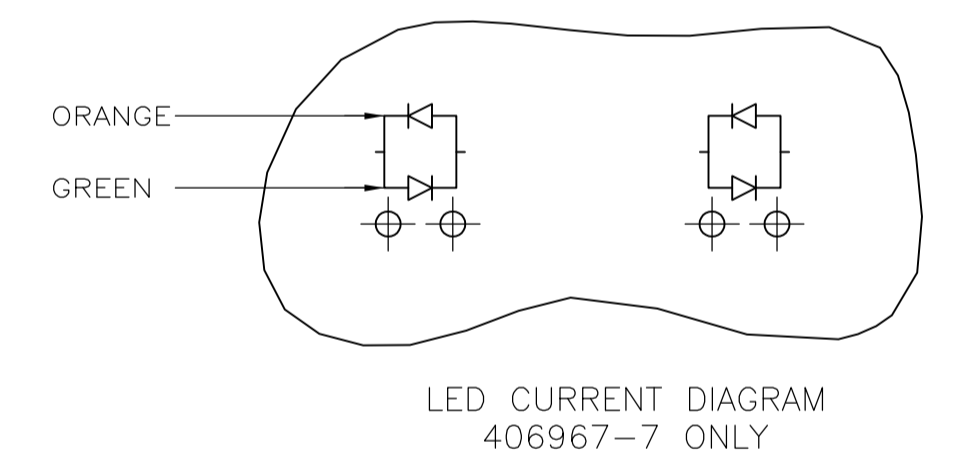
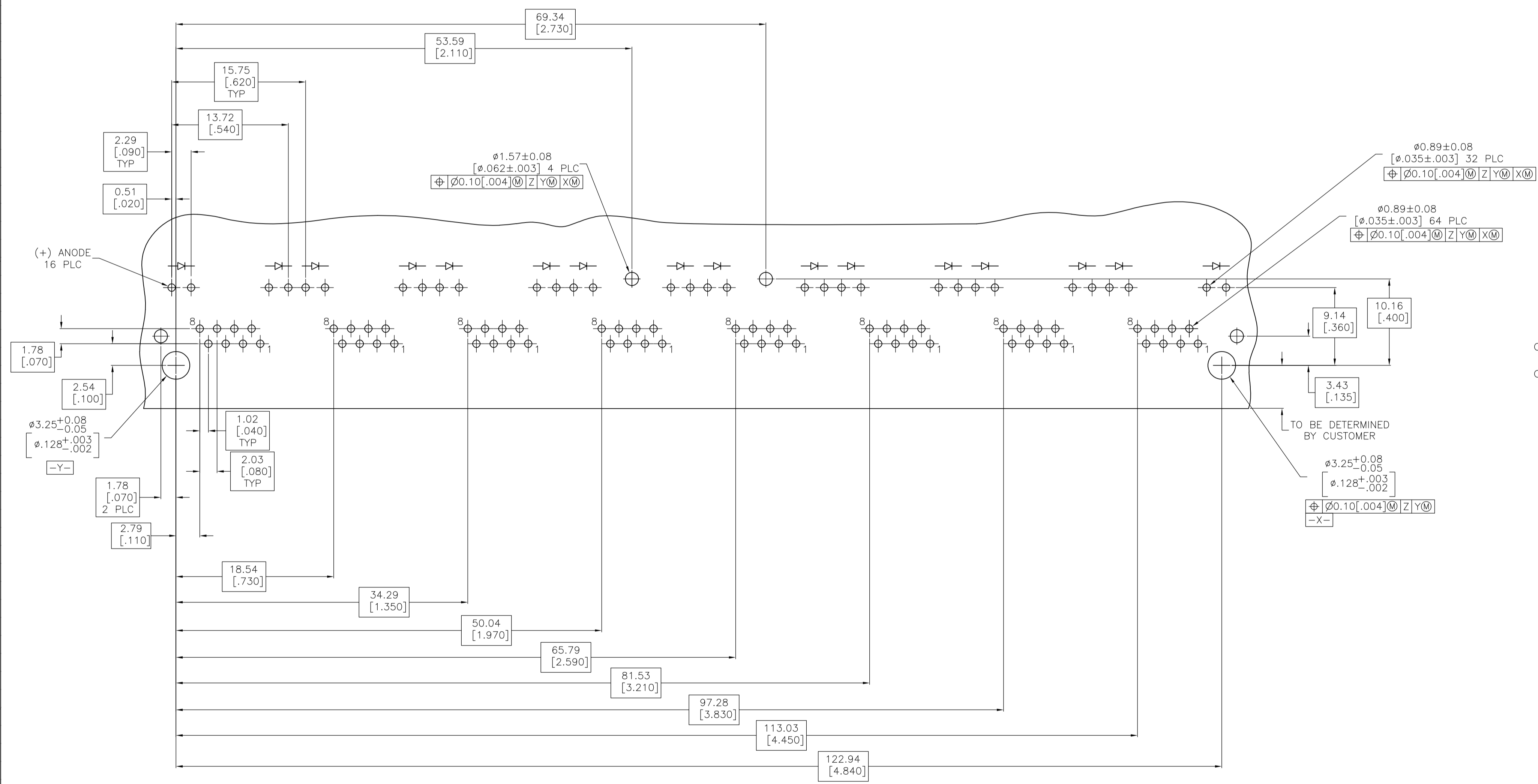


LOC		DIST		REVISIONS			
AA	00	REV	DATE	BY	CHK	APP'D	
E		ECO-07-022131	03NOV07	LAM	JW		
E1		REVISED PER ECO-09-021826	12SEP09	KK	AEG		



- MATERIAL:  
 HOUSING - HIGH TEMPERATURE THERMOPLASTIC, COLOR: BLACK, UL94V-0  
 TERMINALS - 0.36[.014] THICK PHOS BRONZE PLATED WITH 3.81µm[.000150] MIN THICK BRIGHT TIN LEAD IN SOLDER AREA, 1.27µm[.000050] MIN GOLD IN LOCALIZED PLATE AREA. ENTIRE TERMINAL PLATED WITH 1.27µm[.000050] MIN THICK NICKEL.  
 SHIELD - 0.196[.0077] THICK COPPER ZINC ALLOY PREPLATED WITH 1.27µm[.000050] MIN SATIN NICKEL WITH 2.03µm[.000080] MIN TIN POST DIPPED ON PCB GROUND TABS  
 LIGHT EMITTING DIODE (LED) - DIFFUSED EPOXY LENS, 0.51 X 0.51[.020 X .020] CARBON STEEL WIREFRAME LEADS PLATED WITH 8.89µm[.000350] TIN/COPPER OVER 2.03µm[.000080] SILVER OVER 1.02µm[.000040] NICKEL UNDERPLATE OVER 2.03µm[.000080] COPPER UNDERPLATE
  - JACK CAVITY CONFORMS TO FCC RULES AND REGULATIONS PART 68, SUBPART F.
- ▲ SUGGESTED PANEL OPENING DIMENSIONS.  
 ▲ SUGGESTED CLEARANCE BETWEEN TOP OF CONNECTOR AND TOP PANEL OPENING.  
 ▲ SEE TABLE FOR COLOR OF LEDS AND NUMBER REQUIRED.  
 6. THIS MODULAR JACK WITH INTEGRATED LED IS NOT IR REFLOW SOLDERING PROCESS COMPATIBLE.  
 ▲ OBSOLETE PARTS: OBSOLETE CIS STREAMLINING PER D.RENAUD/D.SINISI



OBSOLETE	INDICATOR COLOR FOR EACH HOUSING		PART NUMBER
	POSITION 2	POSITION 1	
SUPERCEDED BY 5406967-4	ORANGE/GREEN	ORANGE/GREEN	-406967-7-
	YELLOW	YELLOW	-406967-6-
	GREEN	GREEN	406967-5
	GREEN	YELLOW	-406967-4-
OBSOLETE	YELLOW	-	406967-3
	-	GREEN	-406967-2-
	YELLOW	GREEN	-406967-1-

THIS DRAWING IS A CONTROLLED DOCUMENT.

DIMENSIONS: mm [INCHES]	TOLERANCES UNLESS OTHERWISE SPECIFIED:	DIN T. WOOTEN 22SEP97	CHK T. SPRINKLE 22SEP97	APVD M. DERSTINE 22SEP97	NAME
0 PLC ± -	1 PLC ± -	2 PLC ± -	3 PLC ± 0.25[.01]	4 PLC ± 0.13[.005]	ANGLES ± -
MATERIAL SEE NOTE 1	FINISH SEE NOTE 1	WEIGHT	SIZE A1	SCALE 3:1	SHEET 1 OF 1

Tyco Electronics Corporation  
 Harrisburg, PA 17105-3608  
 INVERTED MODULAR JACK ASSEMBLY,  
 1X8, SHIELDED, BOTTOM TAB,  
 PANEL GROUND, LED  
 CUSTOMER DRAWING  
 SCALE 3:1 SHEET 1 OF 1 REV E1

# Mouser Electronics

Authorized Distributor

Click to View Pricing, Inventory, Delivery & Lifecycle Information:

[TE Connectivity:](#)

[406967-3](#)