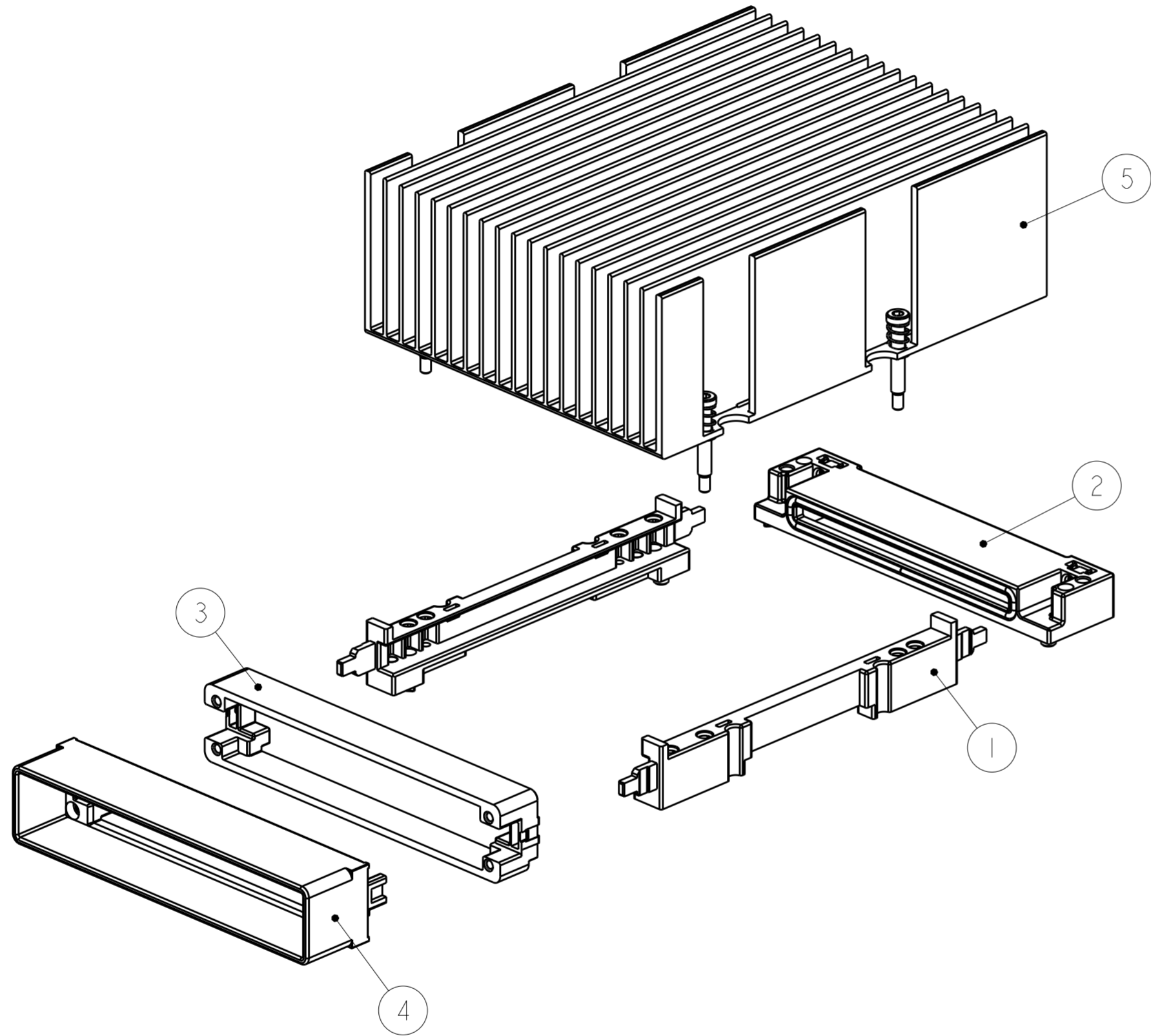


THIS DRAWING IS UNPUBLISHED. RELEASED FOR PUBLICATION 20  
 © COPYRIGHT 20 BY - ALL RIGHTS RESERVED.

LOC	DIST	REVISIONS					
GP	00	P	LTR	DESCRIPTION	DATE	DWN	APVD
		B		REVISED PER ECO-12-021786	04MAR2013	CJV	MRS



1	2110903-1	HEATSINK ASSEMBLY	5
1	2057626-2	EXTERNAL BRACKET ASSEMBLY	4
1	2057930-2	BACKER PLATE ASSEMBLY	3
1	2057631-2	CONNECTOR COVER ASSEMBLY	2
2	2057592-2	GUIDE RAIL	1
- 1	PART NUMBER	DESCRIPTION	ITEM NO

THIS DRAWING IS A CONTROLLED DOCUMENT. DIMENSIONING AND TOLERANCING PER ASME Y14.5M-2009		DWN M. SHIRK 14AUG2009	<b>STE</b> TE Connectivity	
DIMENSIONS: mm		CHK M. PHILLIPS 14AUG2009		
TOLERANCES UNLESS OTHERWISE SPECIFIED:		APVD -	NAME CFP HARDWARE KIT NO HEATSINK	
0 PLC ±	1 PLC ±	PRODUCT SPEC 108-2399	SIZE A200779	
2 PLC ±	3 PLC ±	APPLICATION SPEC 114-13263	CAGE CODE C-2110915	DRAWING NO -
4 PLC ±	ANGLES ±	WEIGHT -	RESTRICTED TO -	
MATERIAL -	FINISH -	CUSTOMER DRAWING	SCALE 1:1	SHEET 1 OF 1
			REV B	

# Mouser Electronics

Authorized Distributor

Click to View Pricing, Inventory, Delivery & Lifecycle Information:

[TE Connectivity:](#)

[2110915-1](#)