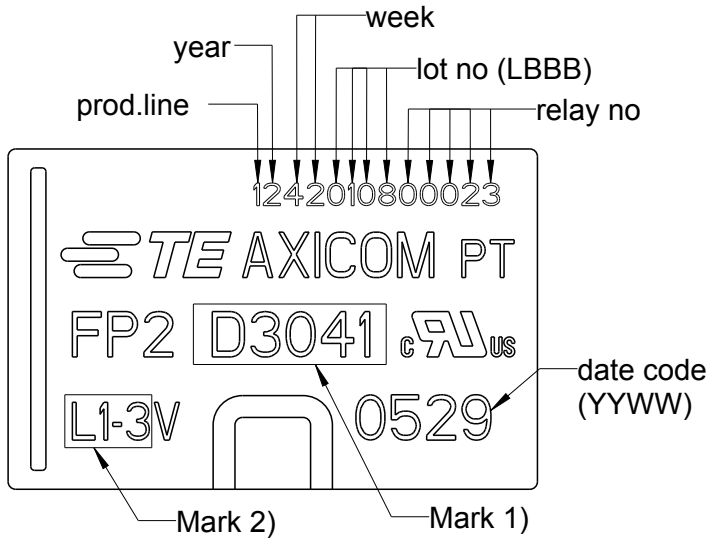


LOC	DIST	REVISIONS					
HJ	-	P	LTR	DESCRIPTION	DATE	DWN	APVD
		A1		New Position 16	18Oct2006	UKo	HD
		A2		New Position 12	02Jun2008	UKo	HD
		B		REVISED PER ECO-13-009556	14JUN2013	UKo	AK
		C		ECR-14-007162 (Packaging information)	13OCT2015	AP	AK



Packaging data code (Box, bag, reels):  
P(YWWDSL)000  
Shipping data code:  
YYWW

P - Product code (E to FP relay)  
Y(Y) - Year (last digit for packaging)  
WW - calendar week (from date code)  
D - Day of the week (1=Sat,.....and 7=Fri)  
S - Shift (1=day shift, 2 night shift)  
L - Production Line (line A, B, C)  
B - Weekly sequential number  
000 - For internal use

Pos.	Relay-Typ	Mark 1)	Mark 2)	PN
1	D3001	D3001	5	1462033-1
2	D3001T	D3001	5	1462033-4
3	D3002	D3002	12	1462033-5
4	D3004	D3004	4.5	1462033-9
5	D3005	D3005	6	1-1462033-1
6	D3005G	D3005	6	1-1462033-2
7	D3006	D3006	3	1-1462033-3
8	D3009	D3009	5	1-1462033-4
9	D3009G	D3009	5	1-1462033-8
10	D3009H	D3009	5	1-1462033-9
11	D3010	D3010	9	2-1462033-1
12	D3010G	D3010	9	7-1462033-9
13	D3011	D3011	18	7-1462033-6
14	D3012	D3012	24	2-1462033-2
15	D3013	D3013	48	2-1462033-6
16	D3016	D3016	24	2-1462033-7

2006  
 RELEASED FOR PUBLICATION  
 ALL RIGHTS RESERVED.  
 THIS DRAWING IS UNPUBLISHED.  
 COPYRIGHT 2006

DIMENSIONS: mm	DWN UKo 9193	30JAN2006	MATERIAL	-	FINISH	-
	CHK HD 9121	30JAN2006	TE Connectivity			
TOLERANCES UNLESS OTHERWISE SPECIFIED: DIN 7168-m	APVD HD 9121	30JAN2006				
0 PLC ±-	PRODUCT SPEC	-	FP2-Relay Marking			
1 PLC ±-	APPLICATION SPEC	-	SIZE	CAGE CODE	DRAWING NO	RESTRICTED TO
2 PLC ±-			A4	00779	C- 1462033-1	-
3 PLC ±-	WEIGHT	-	CUSTOMER DRAWING			
4 PLC ±-			SCALE	SHEET	OF	REV
ANGLES ±-			5:1	1	2	C

LOC	DIST	REVISIONS					
HJ	-	P	LTR	DESCRIPTION	DATE	DWN	APVD
				see sheet 1			

Pos.	Relay-Typ	Mark 1)	Mark 2)	PN
17	D3014	D3014	4.5	7-1462033-8
18	D3021	D3021	3	3-1462033-2
19	D3022	D3022	4.5	3-1462033-3
20	D3023	D3023	5	3-1462033-4
21	D3024	D3024	6	3-1462033-5
22	D3025	D3025	9	3-1462033-6
23	D3026	D3026	12	3-1462033-7
24	D3027	D3027	24	3-1462033-8
25	D3028	D3028	48	3-1462033-9
26	D3041	D3041	L1-3	4-1462033-0
27	D3042	D3042	L1-4.5	4-1462033-1
28	D3043	D3043	L1-5	4-1462033-2
29	D3044	D3044	L1-6	4-1462033-3
30	D3045	D3045	L1-9	4-1462033-4
31	D3046	D3046	L1-12	4-1462033-5
32	D3047	D3047	L1-24	4-1462033-6
33	D3061	D3061	L2-3	4-1462033-7
34	D3062	D3062	L2-4.5	4-1462033-8
35	D3063	D3063	L2-5	4-1462033-9
36	D3064	D3064	L2-6	5-1462033-0
37	D3065	D3065	L2-9	5-1462033-1
38	D3065F	D3065	L2-9	5-1462033-2
39	D3066	D3066	L2-12	5-1462033-4
40	D3066F	D3066	L2-12	5-1462033-5
41	D3067	D3067	L2-24	5-1462033-6


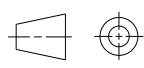
2006

RELEASED FOR PUBLICATION

ALL RIGHTS RESERVED.

© COPYRIGHT 2006

THIS DRAWING IS UNPUBLISHED.

DIMENSIONS: <b>mm</b>	DWN UKo 9193	30JAN2006	MATERIAL	-	FINISH	-
	CHK HD 9121	30JAN2006	 <b>TE Connectivity</b>			
TOLERANCES UNLESS OTHERWISE SPECIFIED: DIN 7168-m	APVD HD 9121	30JAN2006				
0 PLC ±-	PRODUCT SPEC		NAME <b>FP2-Relay Marking</b>			
1 PLC ±-	-					
2 PLC ±-	APPLICATION SPEC		SIZE	CAGE CODE	DRAWING NO	RESTRICTED TO
3 PLC ±-	-		A4	00779	C-1462033-1	-
4 PLC ±-	WEIGHT		-			
ANGLES ±-	-		CUSTOMER DRAWING			
			SCALE	SHEET	OF	REV
			5:1	2	2	C

# Mouser Electronics

Authorized Distributor

Click to View Pricing, Inventory, Delivery & Lifecycle Information:

[TE Connectivity:](#)

[D3046](#)