

THIS DRAWING IS UNPUBLISHED.

RELEASED FOR PUBLICATION

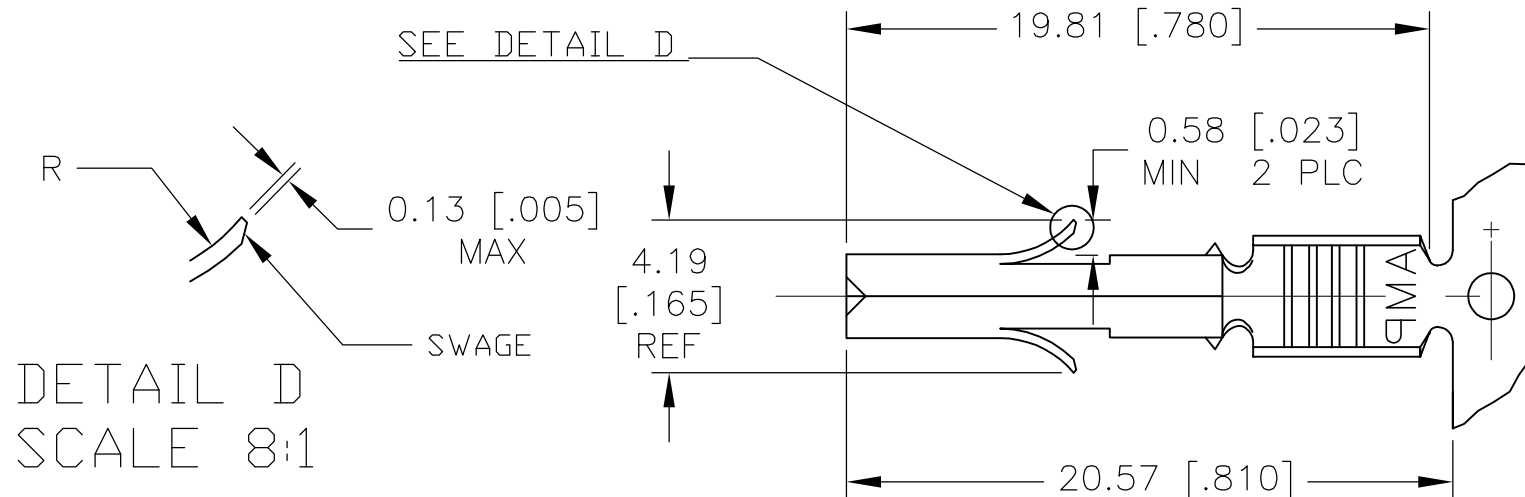
ALL RIGHTS RESERVED.

© COPYRIGHT - By -

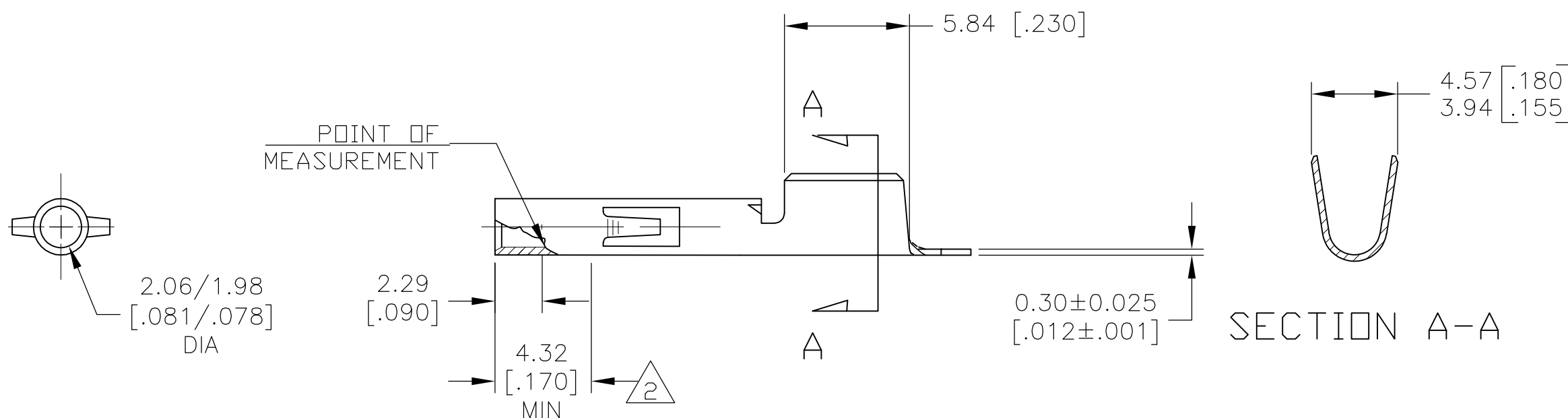
LOC AF DIST 58

REVISIONS

| P | LTR | DESCRIPTION           | DATE    | DWN | APVD |
|---|-----|-----------------------|---------|-----|------|
|   | S3  | REV PER ECO-15-012003 | 18AUG15 | JR  | EW   |



- WIRE RANGE : 12-10 AWG  
INSULATION RANGE: 5.08 [.200] DIA MAX (LIMITED BY THE CONNECTOR HOUSING CAVITY).
- 0.00076 [.000030] THK GOLD, OVER 0.00127 [.000050] NICKEL UNDERPLATE ON INSIDE OF RECEPTACLE, REMAINDER OF CONTACT IS NICKEL PLATED.
- GOLD OVER NICKEL UNDERPLATE ON ENTIRE STAMPING, 0.00076 [.000030] MIN GOLD AT POINT OF MEASUREMENT IN CONTACT AREA, GOLD FLASH MIN IN WIRE BARREL.



|                     |                    |          |             |
|---------------------|--------------------|----------|-------------|
| 640310-6            | GOLD $\triangle 2$ | PHOS BRZ | 350923-6    |
| ---                 | GOLD $\triangle 3$ | PHOS BRZ | 350923-4    |
| 640310-3            | PRE-TIN            | PHOS BRZ | 350923-3    |
| LOOSE PIECE P/N REF | FINISH             | MATERIAL | PART NUMBER |

THIS DRAWING IS A CONTROLLED DOCUMENT.

DWN jr\_ruth 11OCT11  
CHK TOM MICHIELUTTI 11OCT11  
APVD TOM MICHIELUTTI 11OCT11

**STE** TE Connectivity

NAME: SOCKET UNIVERSAL MATE-N-LOK

PRODUCT SPEC: -  
APPLICATION SPEC: -  
WEIGHT: -

SIZE: A3 CAGE CODE: 00779 DRAWING NO: C-350923 RESTRICTED TO: -

CUSTOMER DRAWING SCALE: 4:1 SHEET: 1 OF 1 REV: S3

| DIMENSIONS: MM [ INCHES ] | TOLERANCES UNLESS OTHERWISE SPECIFIED: |
|---------------------------|--|
|                           | 0 PLC ± -                              |
|                           | 1 PLC ± -                              |
|                           | 2 PLC ± 0.25 [.010]                    |
|                           | 3 PLC ± -                              |
|                           | 4 PLC ± -                              |
|                           | ANGLES ± -                             |
| MATERIAL: -               | FINISH: -                              |

# Mouser Electronics

Authorized Distributor

Click to View Pricing, Inventory, Delivery & Lifecycle Information:

[TE Connectivity:](#)

[350923-6](#)