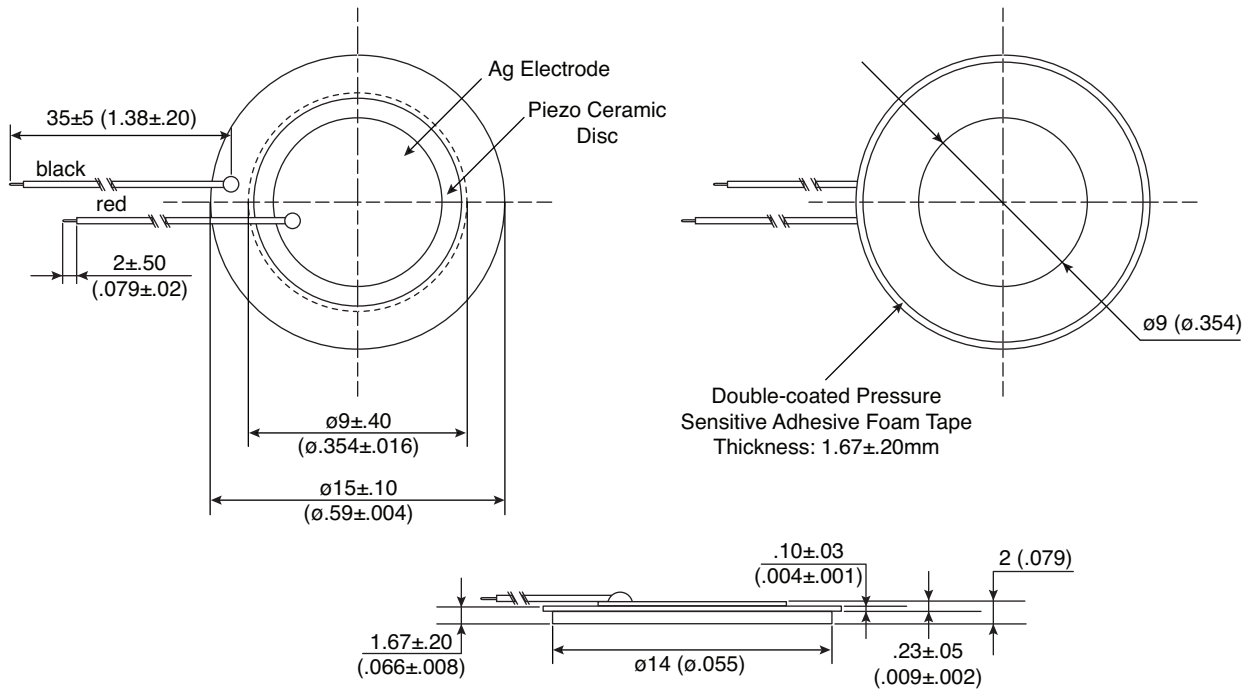


Part Number:

254-PB158-ROX

Dimensions: mm (in.)

Piezoelectric Buzzer Element



KT-400450

Electrical Specifications:

- Resonant Frequency: 5.8K Hz \pm 0.5
- Resonant Impedance: 800 Ω (max.)
- Input Voltage: 30 Vp-p (max.)

Materials:

- Lead Wire: Awg32
- Plate: Brass

Mechanical Specifications:

- Type: External drive
- Operating Temperature: -20°C ~ +60°C
- Storage Temperature: -30°C ~ +70°C

Note:

- RoHS Compliant by exemption

Mouser Electronics

Authorized Distributor

Click to View Pricing, Inventory, Delivery & Lifecycle Information:

[Kobitone:](#)

[254-PB158-ROX](#)