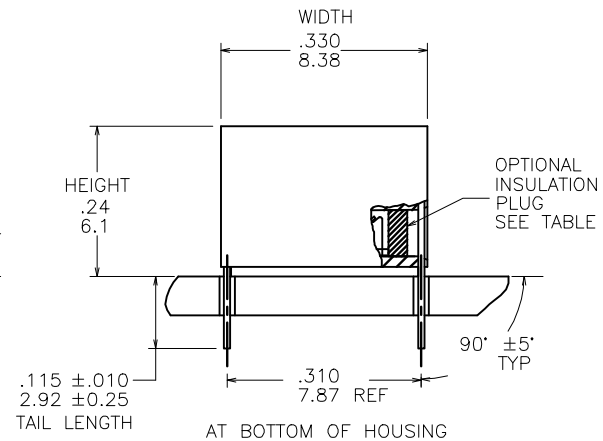
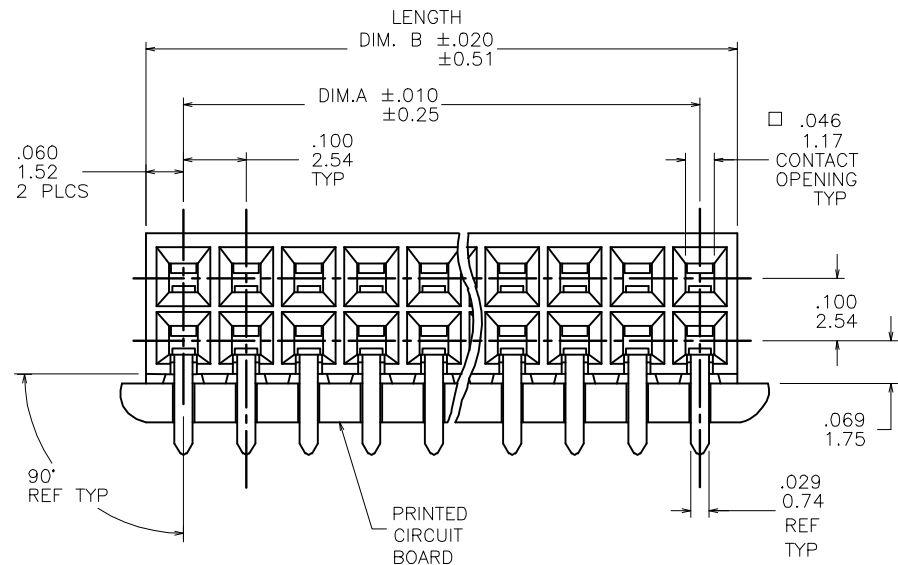
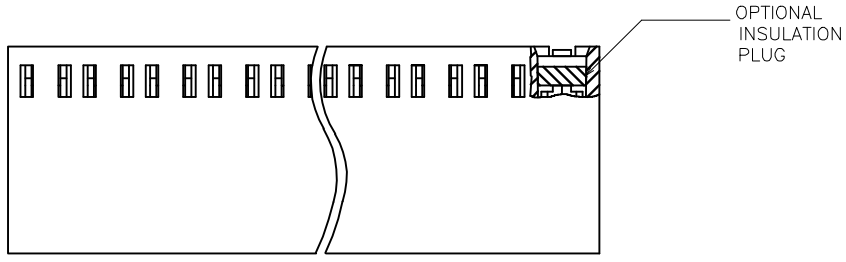


PRODUCT NO.
SEE TABLE



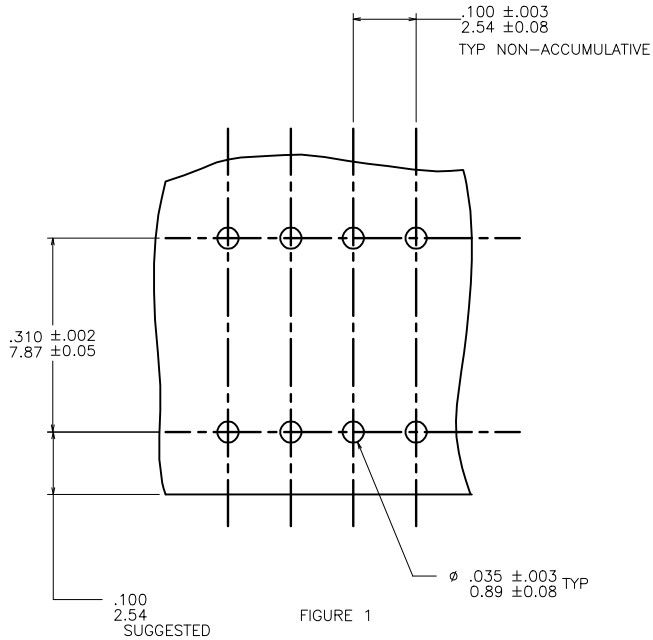
FCIconnect.com

Copyright FCI

mat'l. code		surface ISO 1302		tolerance ISO 406 ISO 1101		projection		product family CARD CONN.	
litr		ecn no		dr		date		title	
K		V70746		EPK		4/24/97		HORIZ. CARD CONN.	
L		V70994		JM		10/19/97		D/R .100/2.54 CL	
M		V02523		AZ		10/25/00		scale 4:1	
N		M05-0245		MHT		11/23/05		dwg no	
P		M07-0137		MHT		2/26/07		sheet 1 of 7	
R		M08-0232		MHT		8/14/08		size	
S		M09-0093		MHT		6/22/09		A3	
sheet		revision		S		S		type	
index		sheet		1		2		Product Customer Drawing	

form A3

PRODUCT NO.
SEE TABLE



NOTES.

1. HOUSING MATERIAL.
FILLED HIGH TEMPERATURE NYLON.
PER UL 94V-0
COLOR. BLACK
2. TERMINAL MATERIAL.
BODY. BRASS .010/0.25 THICK.
SPRING. BE-CU. HEAT TREATED
BODY PLATING.
30 MICROINCH/0.76 MICRON GOLD OR GXT OVER 50 MICROINCH
NICKEL/1.27 MICRON IN CONTACT AREA.
SOLDER TAIL: 100u" PURE TIN (NOTE 9) OVER .050u" NICKEL.
SPRING PLATING. GOLD FLASH
3. MARK "FCI" FCI PART NUMBER AND DATE CODE
LEGIBLE ON TUBE LABEL.
4. APPLICATION INFORMATION.
A. RECOMMENDED MOUNTING HOLE PATTERN IS SHOWN IN
FIG. "1".
B. ALL MATING PINS TO BE .025/0.64 SQUARE ON TRUE CENTER
OF GIVEN TERMINAL SPACINGS WITHIN .015/0.38 DIA.
C. SUGGESTED MATING PIN LENGTH .350±.020/8.89±0.51.
5. SOLDER TAIL TO HAVE GOLD FLASH OVER .050u" NICKEL.
6. ADD "LF" SUFFIX AT THE END OF PART NUMBER FOR LEAD
FREE OPTION.
7. THESE PRODUCT MEETS EUROPEAN UNION DIRECTIVES AND OTHER
COUNTRY REGULATIONS AS DESCRIBED IN GS-22-008
8. THIS PART WILL WITHSTAND EXPOSURE TO 260°C PEAK TEMPERATURE
FOR 20 SECONDS IN A WAVE SOLDER, INFRA-RED OR VAPOR PHASE
SOLDER PROCESS.
9. THIS PRODUCT HAS 100% TIN PLATING IN THE INTERFACE AND
HAS NOT BEEN TESTED FOR WISKER GROWTH IN ALL INTERCONNECT
REQUIREMENTS
10. PLATING OPTIONS:
MAY BE EITHER GOLD OR GXT PLATED AT MANUFACTURER'S OPTION.



FCIconnect.com

Copyright FCI

mat'l. code		surface ISO 1502		tolerance ISO 406 ISO 1101	projection	product family CARD CONN.	
titr	ecm no	dr	date	tolerances unless otherwise specified		title	
S				angles	linear	HORIZ. CARD CONN. D/R .100/2.54 CL	
				0°±2'	XXX 1.0000/XXX±0.05	INCH/MM	scale 4:1
				dr	J. SHREINER	3/23/90	dwg no
				engr	M. HAHN	3/23/90	sheet 2 of 7
				chr	M. HAHN	3/23/90	size
				appd	M. HAHN	3/23/90	A3
sheet	revision			FCI		type Product Customer Drawing	
index	sheet						

form A3

PRODUCT NUMBER	NO. OF POS.	DIM. A	DIM. B	INSULATION PLUG	LEAD FREE OPTION
66925-001	2X1	.90/.9	.120/3.05	NO	
-002	2X2	.10/2.5	.220/5.59		
-003	2X3	.20/5.0	.320/8.13		NOTE -6,7
-004	2X4	.30/7.6	.420/10.67		
-005	2X5	.40/10.1	.520/13.21		
-006	2X6	.50/12.7	.620/15.75		
-007	2X7	.60/15.2	.720/18.27		
-008	2X8	.70/17.7	.820/20.83		
-009	2X9	.80/20.3	.920/23.37		
-010	2X10	.90/22.8	1.020/25.91		
-011	2X11	1.00/25.4	1.120/28.45		
-012	2X12	1.10/27.9	1.220/30.99		
-013	2X13	1.20/30.4	1.320/33.53		
-014	2X14	1.30/33.0	1.420/36.07		
-015	2X15	1.40/35.5	1.520/38.61		
-016	2X16	1.50/38.1	1.620/41.15		
-017	2X17	1.60/40.6	1.720/43.69		
-018	2X18	1.70/43.1	1.820/46.23		
-019	2X19	1.80/45.7	1.920/48.77		
-020	2X20	1.90/48.2	2.020/51.31		
-021	2X21	2.00/50.8	2.120/53.85		
-022	2X22	2.10/53.3	2.220/56.39		
-023	2X23	2.20/55.8	2.320/58.93		
-024	2X24	2.30/58.4	2.420/61.47		
-025	2X25	2.40/60.9	2.520/64.01		
-026	2X26	2.50/63.5	2.620/66.55		
-027	2X27	2.60/66.0	2.720/69.09		
-028	2X28	2.70/68.5	2.820/71.63		
-029	2X29	2.80/71.1	2.920/74.17		
-030	2X30	2.90/73.6	3.020/76.71		
-031	2X31	3.00/76.2	3.120/79.25		
-032	2X32	3.10/78.7	3.220/81.79		
-033	2X33	3.20/81.2	3.320/84.33		
-034	2X34	3.30/83.8	3.420/86.87		
-035	2X35	3.40/86.3	3.520/89.41		
-036	2X36	3.50/88.9	3.620/91.95		
-037	2X37	3.60/91.4	3.720/94.49		
-038	2X38	3.70/93.9	3.820/97.03		
-039	2X39	3.80/96.5	3.920/99.57		
66925-040	2X40	3.90/99.0	4.020/102.11	NO	NOTE 6,7

UNASSIGNED
UNASSIGNED
OBSOLETE
OBSOLETE



FCIconnect.com

Copyright FCI

mat'l. code		surface ISO 1502		tolerance ISO 406 ISO 1101		projection		product family CARD CONN.	
lit	ecr no	dr	date	tolerances unless otherwise specified		INCH/MM		title HORIZ. CARD CONN. D/R .100/2.54 CL	
S				angles	linear	scale 4:1		dwg no 66925	
				0°±2'				sheet 3 of 7 size A3	
				dr	J. SHREINER	3/23/90		type Product Customer Drawing	
				eng	M. HAHN	3/23/90			
				chr	M. HAHN	3/23/90			
				appd	M. HAHN	3/23/90			
sheet	revision								
index	sheet								

form A3

PRODUCT NUMBER	NO. OF POS.	DIM. A	DIM. B	INSULATION PLUG	LEAD FREE OPTION
66925-041	2X41	4.00/101.6	4.120/104.65	NO	NOTE 6,7
-042	2X42	4.10/104.1	4.220/107.19		
-043	2X43	4.20/106.6	4.320/109.73		
-044	2X44	4.30/109.2	4.420/112.27		
-045	2X45	4.40/111.7	4.520/114.81		
-046	2X46	4.50/114.3	4.620/117.35		
-047	2X47	4.60/116.8	4.720/119.89		
-048	2X48	4.70/119.3	4.820/122.43		
-049	2X49	4.80/121.9	4.920/124.97		
-050	2X50	4.90/124.4	5.020/127.51		
-051	2X51	5.00/127.0	5.120/130.05		
-052	2X52	5.10/129.5	5.220/132.59		
-053	2X53	5.20/132.0	5.320/135.15		
-054	2X54	5.30/134.6	5.420/137.67		
-055	2X55	5.40/137.1	5.520/140.21		
-056	2X56	5.50/139.7	5.620/142.76		
-057	2X57	5.60/142.2	5.720/145.29		
-058	2X58	5.70/144.7	5.820/147.83		
-059	2X59	5.80/147.3	5.920/150.37		
-060	2X60	5.90/149.8	6.020/152.91		
-061	2X61	6.00/152.4	6.120/155.45		
-062	2X62	6.10/154.9	6.220/157.99		
-063	2X63	6.20/157.4	6.320/160.53		
-064	2X64	6.30/160.0	6.420/163.07		
66925-065	2X65	6.40/162.5	6.520/165.61	NO	NOTE 6,7
066 THRU					OBSOLETE
100					



FCIconnect.com

Copyright FCI

mat'l. code		surface ISO 1502		tolerance ISO 406 ISO 1101		projection		product family CARD CONN.	
lir	ecm no	dr	date	tolerances unless otherwise specified		INCH/MM		title HORIZ. CARD CONN. D/R .100/2.54 CL	
S				angles	linear	scale 4:1		dwg no 66925	
				0°±2'	XXX 1.000/XXX±0.05	sheet 4 of 7		size A3	
				dr	J. SHREINER	3/23/90		type Product Customer Drawing	
				eng	M. HAHN	3/23/90			
				chr	M. HAHN	3/23/90			
				appd	M. HAHN	3/23/90			
sheet	revision								
index	sheet								

form: A3

PRODUCT NUMBER	NO. OF POS.	DIM. A	DIM. B	INSULATION PLUG	LEAD FREE OPTION
66925-501	2X1	.00/.0	.120/3.05	YES	
-502	2X2	.10/2.5	.220/5.59		
-503	2X3	.20/5.0	.320/8.13	YES	NOTE 6,7
-504	2X4	.30/7.6	.420/10.67		
-505	2X5	.40/10.1	.520/13.21		
-506	2X6	.50/12.7	.620/15.75		
-507	2X7	.60/15.2	.720/18.27		
-508	2X8	.70/17.7	.820/20.83		
-509	2X9	.80/20.3	.920/23.37		
-510	2X10	.90/22.8	1.020/25.91		
-511	2X11	1.00/25.4	1.120/28.45		
-512	2X12	1.10/27.9	1.220/30.99		
-513	2X13	1.20/30.4	1.320/33.53		
-514	2X14	1.30/33.0	1.420/36.07		
-515	2X15	1.40/35.5	1.520/38.61		
-516	2X16	1.50/38.1	1.620/41.15		
-517	2X17	1.60/40.6	1.720/43.69		
-518	2X18	1.70/43.1	1.820/46.23		
-519	2X19	1.80/45.7	1.920/48.77		
-520	2X20	1.90/48.2	2.020/51.31		
-521	2X21	2.00/50.8	2.120/53.85		
-522	2X22	2.10/53.3	2.220/56.39		
-523	2X23	2.20/55.8	2.320/58.93		
-524	2X24	2.30/58.4	2.420/61.47		
-525	2X25	2.40/60.9	2.520/64.01		
-526	2X26	2.50/63.5	2.620/66.55		
-527	2X27	2.60/66.0	2.720/69.09		
-528	2X28	2.70/68.5	2.820/71.63		
-529	2X29	2.80/71.1	2.920/74.17		
-530	2X30	2.90/73.6	3.020/76.71		
-531	2X31	3.00/76.2	3.120/79.25		
-532	2X32	3.10/78.7	3.220/81.79		
-533	2X33	3.20/81.2	3.320/84.33		
-534	2X34	3.30/83.8	3.420/86.87		
-535	2X35	3.40/86.3	3.520/89.41		
-536	2X36	3.50/88.9	3.620/91.95		
-537	2X37	3.60/91.4	3.720/94.49		
-538	2X38	3.70/93.9	3.820/97.03		
-539	2X39	3.80/96.5	3.920/99.57		
66925-540	2X40	3.90/99.0	4.020/102.11	YES	NOTE 6,7

UNASSIGNED
UNASSIGNED
OBSOLETE
OBSOLETE



FCIconnect.com

Copyright FCI

mat'l. code		surface ISO 1302		tolerance ISO 406 ISO 1101		projection		product family CARD CONN.	
lir	ecr no	dr	date	tolerances unless otherwise specified		INCH/MM		title HORIZ. CARD CONN. D/R .100/2.54 CL	
S				angles	linear	scale 4:1		dwg no 66925	
				0°±2'	XXX ±.005/XXX±0.13 XXX ±.0020/XXX±0.051			sheet 5 of 7 size A3	
				dr	J. SHREINER	3/23/90		type Product Customer Drawing	
				eng	M. HAHN	3/23/90			
				chr	M. HAHN	3/23/90			
				appd	M. HAHN	3/23/90			
sheet	revision								
index	sheet								

form: A3

PRODUCT NUMBER	NO. OF POS.	DIM. A	DIM. B	INSULATION PLUG	LEAD FREE OPTION
66925-541	2X41	4.00/101.6	4.120/104.65	YES	NOTE 6,7
-542	2X42	4.10/104.1	4.220/107.19		
-543	2X43	4.20/106.6	4.320/109.73		
-544	2X44	4.30/109.2	4.420/112.27		
-545	2X45	4.40/111.7	4.520/114.81		
-546	2X46	4.50/114.3	4.620/117.35		
-547	2X47	4.60/116.8	4.720/119.89		
-548	2X48	4.70/119.3	4.820/122.43		
-549	2X49	4.80/121.9	4.920/124.97		
-550	2X50	4.90/124.4	5.020/127.51		
-551	2X51	5.00/127.0	5.120/130.05		
-552	2X52	5.10/129.5	5.220/132.59		
-553	2X53	5.20/132.0	5.320/135.15		
-554	2X54	5.30/134.6	5.420/137.67		
-555	2X55	5.40/137.1	5.520/140.21		
-556	2X56	5.50/139.7	5.620/142.76		
-557	2X57	5.60/142.2	5.720/145.29		
-558	2X58	5.70/144.7	5.820/147.83		
-559	2X59	5.80/147.3	5.920/150.37		
-560	2X60	5.90/149.8	6.020/152.91		
-561	2X61	6.00/152.4	6.120/155.45		
-562	2X62	6.10/154.9	6.220/157.99		
-563	2X63	6.20/157.4	6.320/160.53		
-564	2X64	6.30/160.0	6.420/163.07		
66925-565	2X65	6.40/162.5	6.520/165.61	YES	NOTE 6,7
-566 THRU					
-600					

OBSOLETE



FCconnect.com

Copyright FCJ

mat'l. code		surface ISO 1502 <input checked="" type="checkbox"/>		tolerance ISO 406 ISO 1101		projection 		product family CARD CONN.	
lir	ecm no	dr	date	tolerances unless otherwise specified				title HORIZ. CARD CONN. D/R .100/2.54 CL	
S				angles	linear	INCH/MM		dwg no 66925	
				0 ± 2'		scale 4:1		sheet 6 of 7 size A3	
				dr	J. SHREINER	3/23/90		type Product Customer Drawing	
				engr	M. HAHN	3/23/90			
				chr	M. HAHN	3/23/90			
				appd	M. HAHN	3/23/90			
sheet	revision								
index	sheet								

form: A3

PRODUCT NUMBER	NO. OF POS.	DIM. A	DIM. B	INSUL. PLUG	SPECIAL MARKING	CUST. RESTR.	LEAD FREE OPTION
66925-800	2X50	4.90/124.4	5.02/127.5	NO	66925-800 104100110 DATE CODE	YES.	NOTE 6,7
66925-801	2X100	9.90/251.4	10.02/254.5	NO	66925-801 10410111 DATE CODE	YES.	OBSOLETE
66925-802	2X4	.30/7.6	.42/10.6	NO	FCI ↓	YES	OBSOLETE
66925-803	2X6	.50/12.7	.62/15.7	NO	FCI ↓	YES	NOTE 6,7

OBSOLETE

OBSOLETE



FCJconnect.com

Copyright FCJ

mat'l. code		surface ISO 1302		tolerance ISO 406 ISO 1101		projection		product family CARD CONN.	
lit	ecm no	dr	date	tolerances unless otherwise specified		INCH/MM		title HORIZ. CARD CONN. D/R .100/2.54 CL	
S				angles	linear	scale 4:1		dwg no 66925	
				0°±2'				sheet 7 of 7 size A3	
				dr	J. SHREINER	3/23/90		FCJ	
				eng	M. HAHN	3/23/90		type Product Customer Drawing	
				chr	M. HAHN	3/23/90			
				appd	M. HAHN	3/23/90			
sheet index	revision sheet								

form: A3

Mouser Electronics

Authorized Distributor

Click to View Pricing, Inventory, Delivery & Lifecycle Information:

[FCI / Amphenol:](#)

[66925-505](#) [66925-527](#) [66925-530](#) [66925-552](#) [66925-556](#) [66925-006](#) [66925-009](#) [66925-014](#) [66925-019](#) [66925-020](#) [66925-022](#) [66925-023](#) [66925-024](#) [66925-028](#) [66925-029](#) [66925-031](#) [66925-032](#) [66925-035](#) [66925-036](#) [66925-037](#) [66925-039](#) [66925-040](#) [66925-042](#) [66925-043](#) [66925-048](#) [66925-050](#) [66925-055](#) [66925-056](#) [66925-058](#) [66925-060](#) [66925-061](#) [66925-064](#) [66925-065](#) [66925-506](#) [66925-508](#) [66925-509](#) [66925-510](#) [66925-511](#) [66925-512](#) [66925-513](#) [66925-514](#) [66925-516](#) [66925-520](#) [66925-521](#) [66925-524](#) [66925-525](#) [66925-526](#) [66925-532](#) [66925-533](#) [66925-535](#) [66925-536](#) [66925-540](#) [66925-548](#) [66925-550](#) [66925-553](#) [66925-554](#) [66925-560](#) [66925-012](#) [66925-011](#) [66925-005](#) [66925-005LF](#) [66925-006LF](#) [66925-009LF](#) [66925-011LF](#) [66925-014LF](#) [66925-019LF](#) [66925-020LF](#) [66925-022LF](#) [66925-023LF](#) [66925-024LF](#) [66925-025LF](#) [66925-028LF](#) [66925-029LF](#) [66925-031LF](#) [66925-032LF](#) [66925-035LF](#) [66925-036LF](#) [66925-037LF](#) [66925-039LF](#) [66925-040LF](#) [66925-042LF](#) [66925-043LF](#) [66925-048LF](#) [66925-050LF](#) [66925-055LF](#) [66925-056LF](#) [66925-058LF](#) [66925-060LF](#) [66925-061LF](#) [66925-064LF](#) [66925-065LF](#) [66925-505LF](#) [66925-506LF](#) [66925-508LF](#) [66925-509LF](#) [66925-510LF](#) [66925-511LF](#) [66925-512LF](#) [66925-513LF](#) [66925-514LF](#)