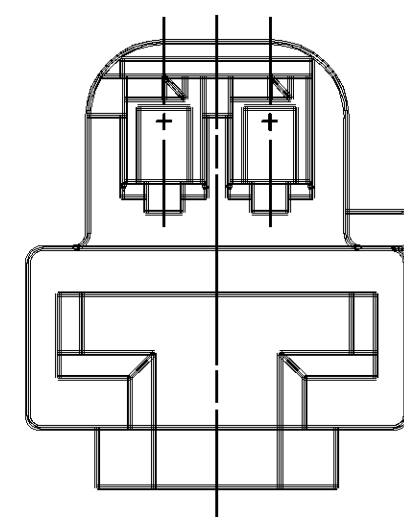
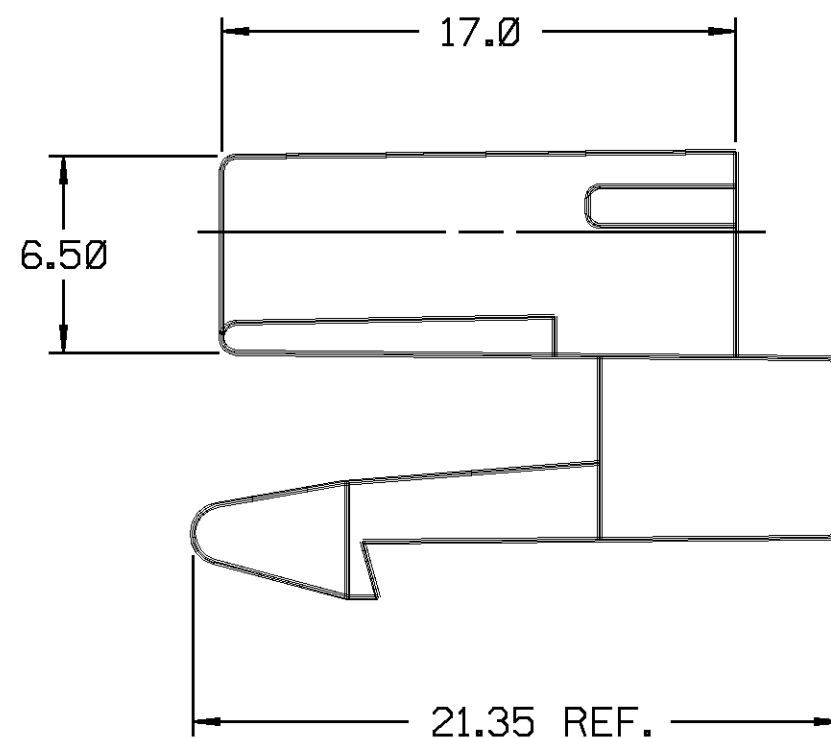
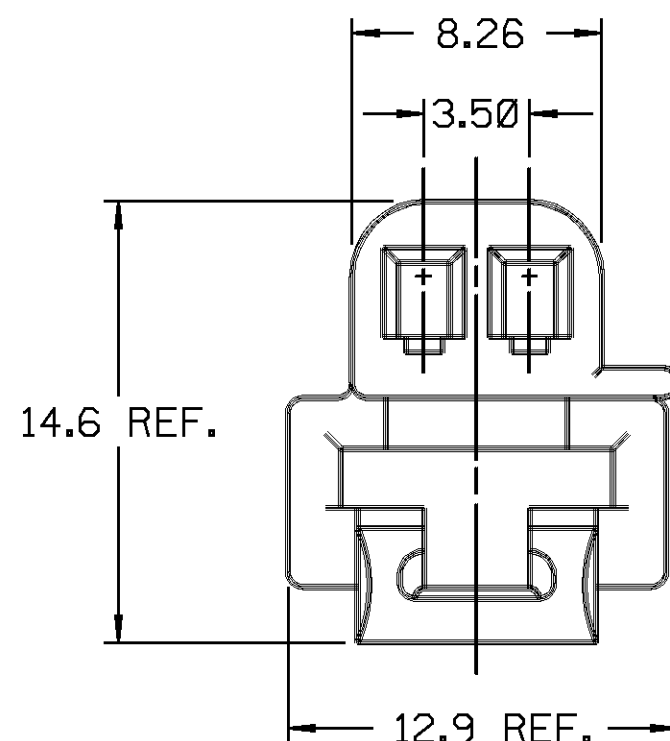
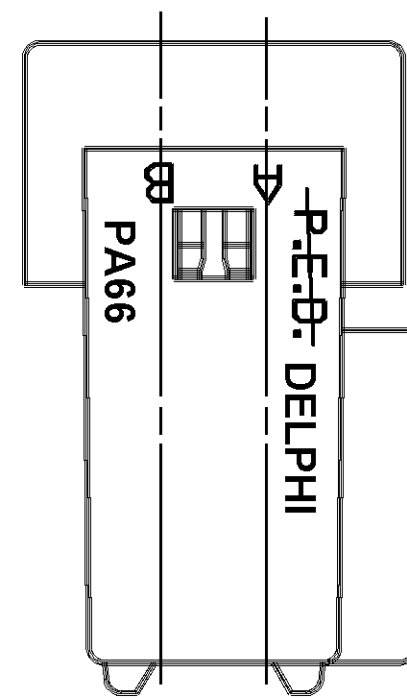


D

THIS DRAWING AND DESIGN HEREON CONSTITUTES A PROPRIETARY DESIGN OF PACKARD ELECTRIC DIVISION AND IS NOT TO BE DUPLICATED OR REPRODUCED WITHOUT AUTHORITY OF PACKARD ELECTRIC DIVISION.

DO NOT SCALE

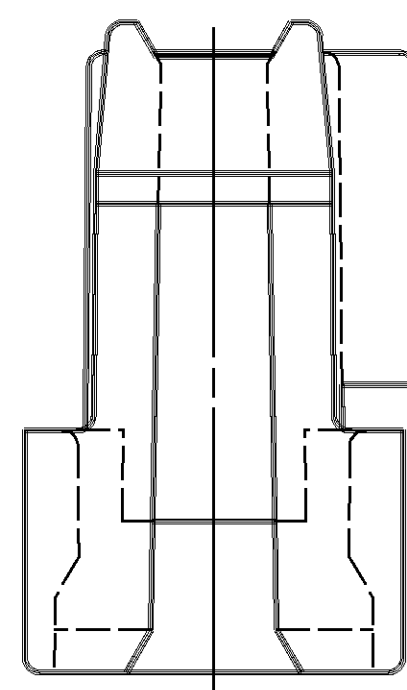
DATE	SYM	REVISION RECORD	AUTHORITY	DR	CK
300C85	A	RELEASED	85005	EM	FH
21JA87	B	REVISED	109610	RB	FH
26AP91	C	REVISED MAT'L SPEC	141388	JK	
04SE02	C1	SECONDARY TERMINAL LOCK WAS 12047664.			
		ADDED NOTES (2 PLCS) & REVISED MAT'L SPEC	230019	RVP	RVP



PART NO.
12064869

PACKARD ELECTRIC DIVISION
GENERAL MOTORS CORPORATION
WARREN, OHIO

-0-
3



- NOTES —
1. CAVITIES TO ACCEPT 12047883 TERMINAL OR EQUIVALENT.
 2. MATING CONNECTOR IS 12064870 OR EQUIVALENT.
 3. CONNECTOR TO ACCEPT 15324070 SECONDARY TERMINAL LOCK OR EQUIVALENT.
 4. THIS CONNECTOR WILL PASS THROUGH A 17.5 DIA. MIN. HOLE
 5. MAX. INSULATION CRIMP MUST BE LESS THAN 2.60 HIGH AND 2.70 WIDE.
 6. CONNECTOR TO ACCEPT 12052834 POSITION ASSURANCE LOCK OR EQUIVALENT.
 7. (2.3 X (0.1) RAISED DELPHI CORPORATE BRAND TO BE LOCATED ON ANY EXTERIOR SURFACE PREFERABLY VISIBLE AT FINAL ASSEMBLY. OPTIONAL CONSTRUCTION TO BE "PED" OR NO LOGO.
 8. MATERIAL RECYCLING CODE >PP< PER SAE J1344. (2.3 X (0.1) RAISED CHARACTERS AS SHOWN TO BE LOCATED ON ANY EXTERIOR SURFACE. OPTIONAL CONSTRUCTION TO BE NO MATERIAL RECYCLING CODE.

PED / MICROSTATION		FILE SPEC: ****USER**** DGN*SPECIFICATION***** ****SYTIME*****
THIRD ANGLE PROJECTION		METRIC DIMENSIONS ARE IN MILLIMETERS UNLESS OTHERWISE SPECIFIED.
CODE NO. 6900	TOLERANCE UNLESS OTHERWISE SPECIFIED DECIMAL: ANGULAR ± 2° ONE PLACE ± 0.2 TWO PLACE ± 0.10	
Q.C.	SCALE NONE	DR. <i>Eric W. Meyer</i> 06AU85
DWG. DATE 06AU85	CK. F. HESTON	DATE 03DE85
EST. NO.	APPR. W. CROSS	DATE 11JA86
REFERENCE NO. 12064869 'E' SIZE	APPR. R. PETROSKY	DATE 13JA86
MATERIAL SPEC.	M3592008 IM HS PA66 BLU	
NAME	CONN 2F M/P 150	
PART NO. 12064869 OUTLINE DRAWING	SIZE C	

Mouser Electronics

Authorized Distributor

Click to View Pricing, Inventory, Delivery & Lifecycle Information:

[Aptiv:](#)

[12064869](#)