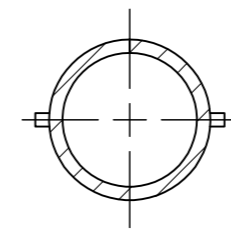
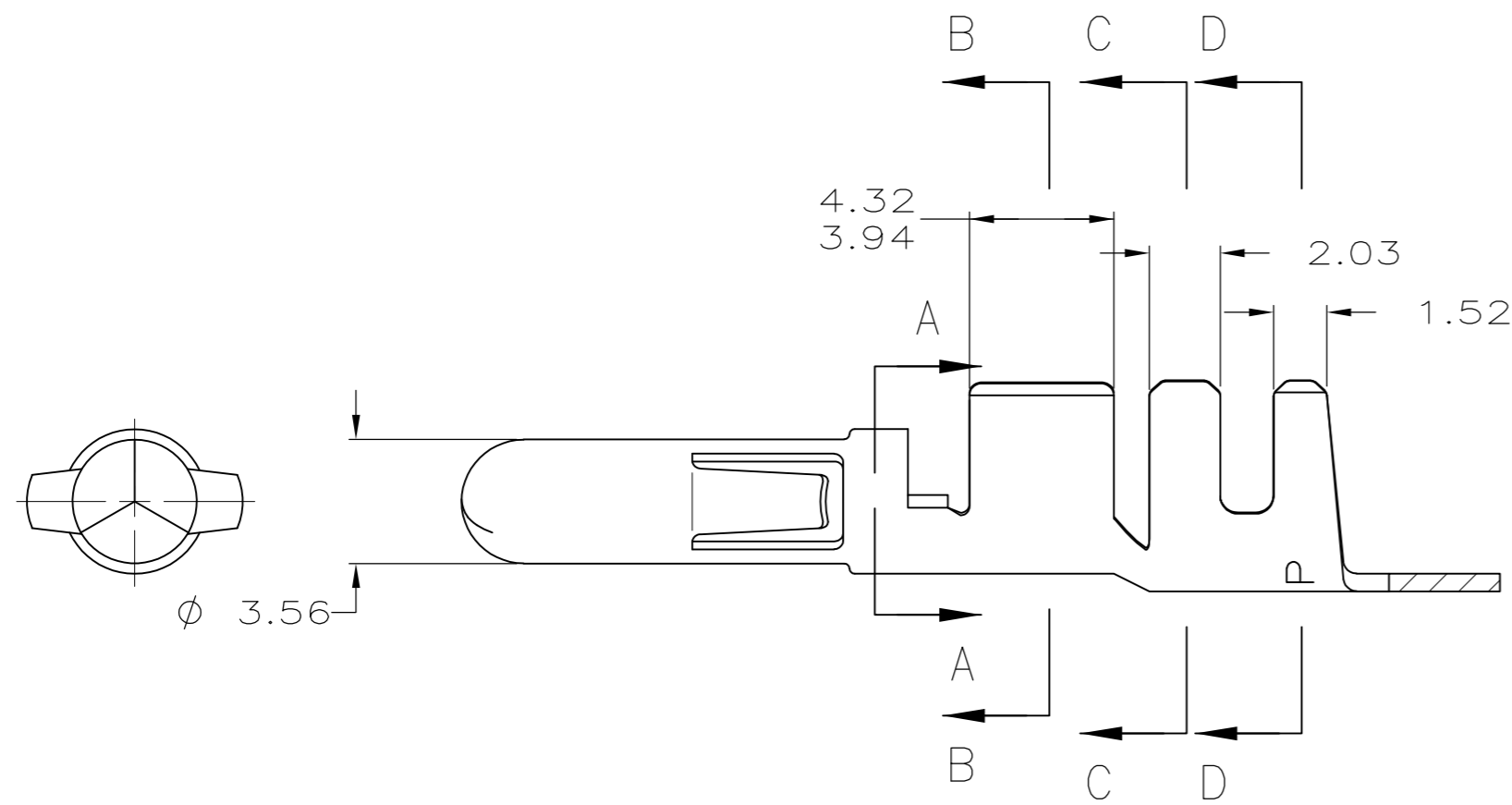
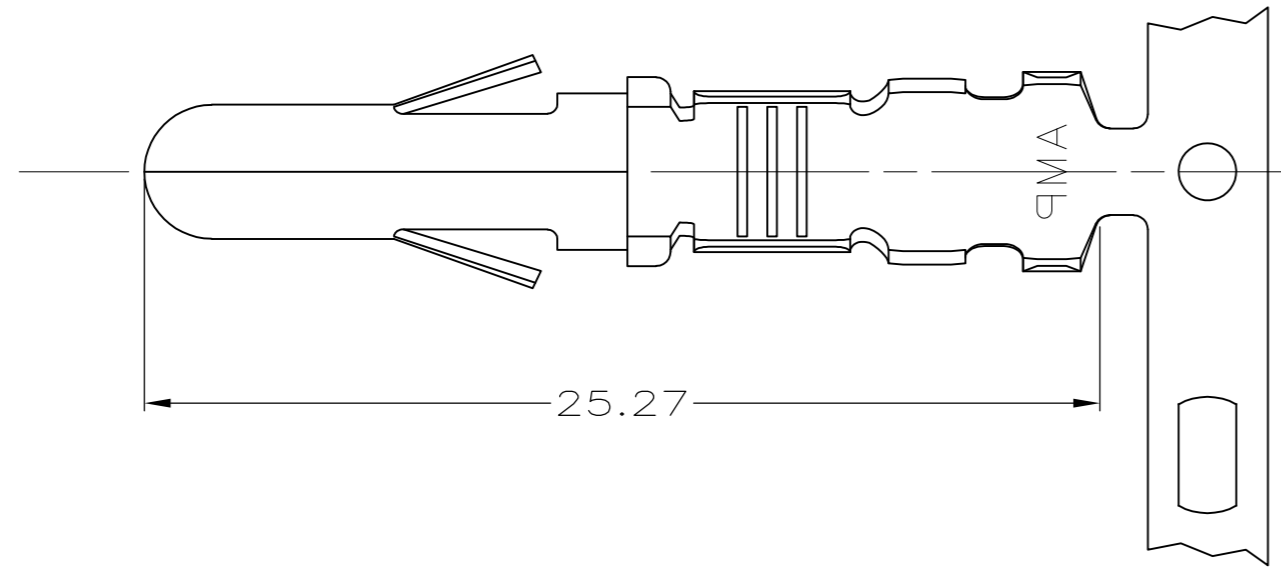


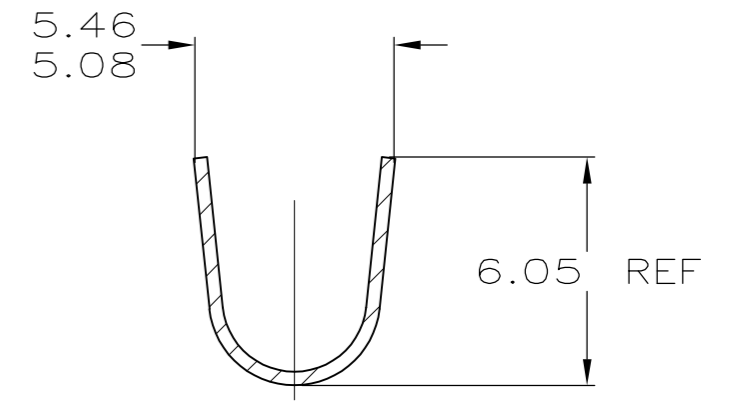
THIS DRAWING IS UNPUBLISHED. RELEASED FOR PUBLICATION
 © COPYRIGHT - By - ALL RIGHTS RESERVED.

LOC	DIST	REVISIONS					
		P	LTR	DESCRIPTION	DATE	DWN	APVD
CM	53	E1		REVISED PER ECO-11-004917	11MAR11	RK	HMR

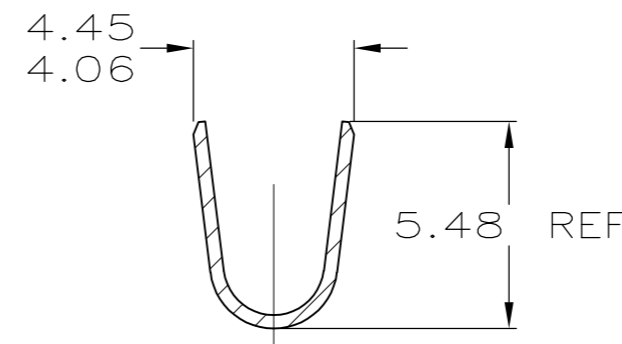
1. WIRE RANGE: 2 - 6 mm² (14 - 10 AWG)
2. INSULATION RANGE: 2.54 - 4.57



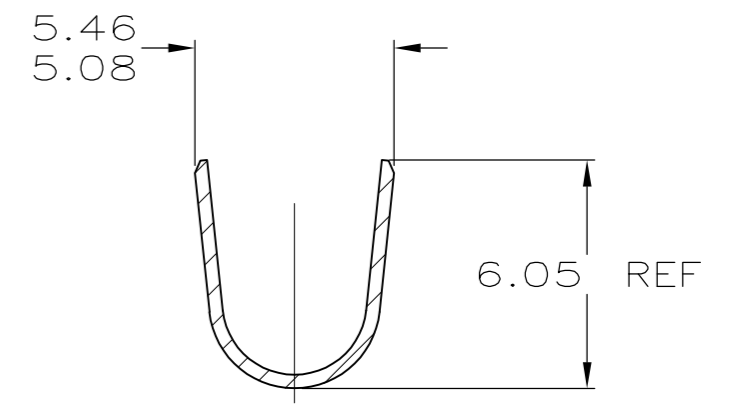
SECTION A-A



SECTION C-C



SECTION B-B

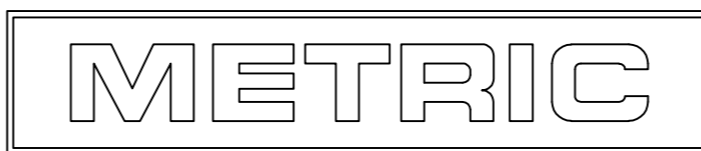


SECTION D-D

PRE TIN	0.36 PH BRZ	350201-2
PRE TIN	0.35 BRASS	350201-1
FINISH	MATERIAL	PART NUMBER

2.03	.080	4.32	.170	5.48	.216	-	-
1.52	.060	4.06	.160	5.46	.215	-	-
0.36	.014	3.94	.155	5.08	.200	-	-
0.35	.014	3.56	.140	4.57	.180	25.27	.995
0.13	.005	2.54	.100	4.45	.175	6.05	.238
MM	IN	MM	IN	MM	IN	MM	IN

CONVERSION TABLE



THIS DRAWING IS A CONTROLLED DOCUMENT.

DWN	T. BECK	29OCT1998
CHK	R. SWING	29OCT1998
APVD	C. MARTIN	16NOV1998
PRODUCT SPEC		
APPLICATION SPEC		
WEIGHT	-	
CUSTOMER DRAWING		

TE Connectivity

PIN, .140 PIN & SOCKET CONNECTOR

SIZE	A2	CAGE CODE	00779	DRAWING NO	C=350201	RESTRICTED TO	-
SCALE	5:1	SHEET	1 of 1	REV	E1		

Mouser Electronics

Authorized Distributor

Click to View Pricing, Inventory, Delivery & Lifecycle Information:

[TE Connectivity:](#)

[350201-1](#)