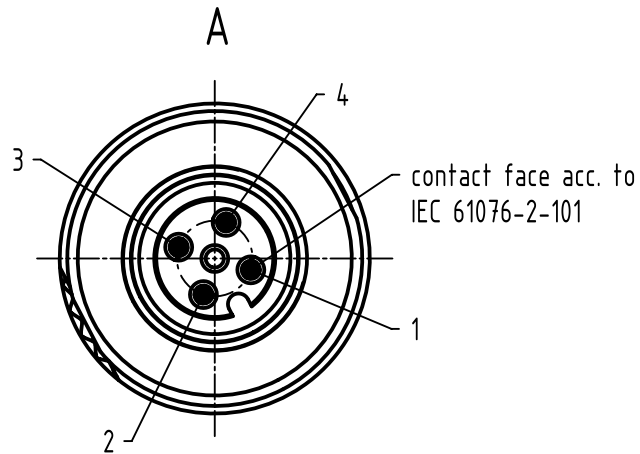
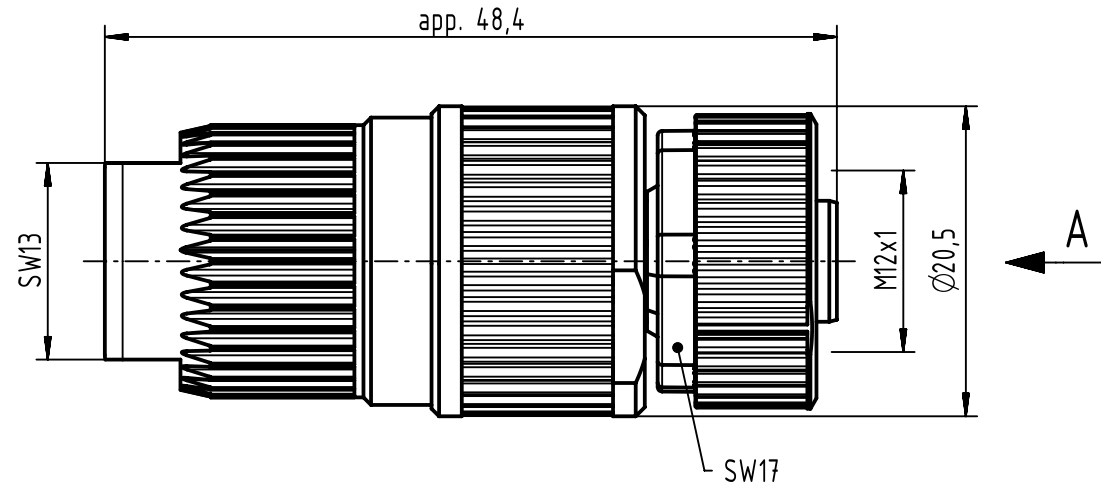
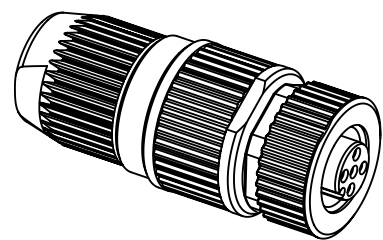
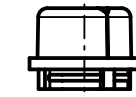
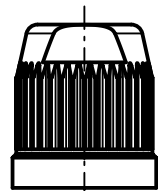


(1:1)



conductor cross section	0,34 - 0,75mm ² AWG22-AWG18
cable outside diameter	7,0 - 8,8mm

	All Dimensions in mm Original Size DIN A4		Scale 2:1	Free size tol.		Ref. Sub. TB 21 03 212 2407 / EC01896 / 18.05.10	
	All rights reserved Department EC PD - DE		Created by BUSSMANT	Inspected by EISFELD	Standardisation HOFFMANN	Date 2015-11-13	State Final Release
HARTING Electronics GmbH D-32339 Espelkamp		Title HARTING M12-L 4-pole A-coded female				Doc-Key / ECM-Nr. 100191039/UGD/002/C 500000095997	
		Type TB	Number 21032122407			Rev. C	Page 1/1

Mouser Electronics

Authorized Distributor

Click to View Pricing, Inventory, Delivery & Lifecycle Information:

[HARTING:](#)

[21032122407](#)