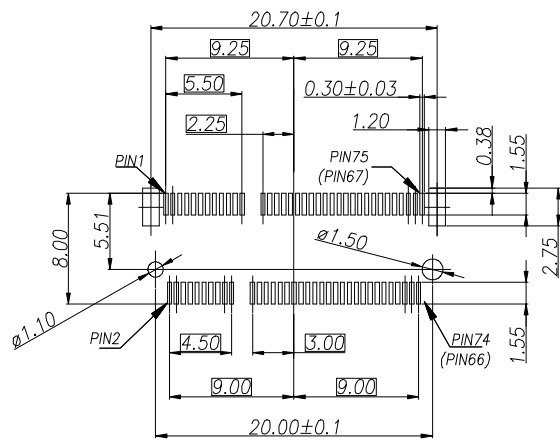
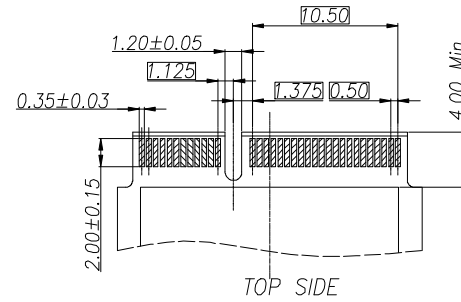
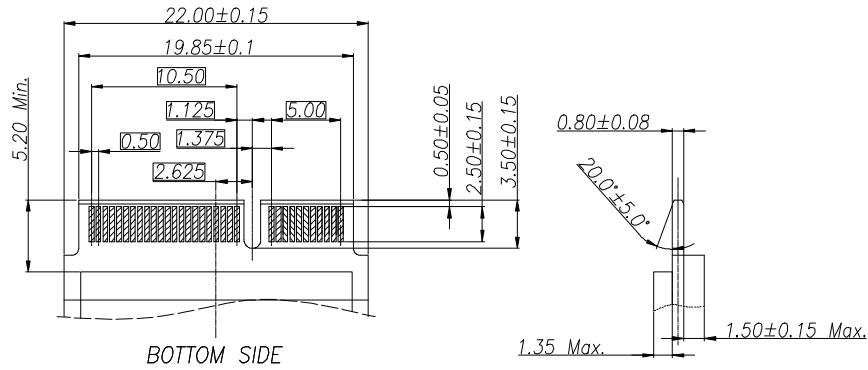


HF
Halogen Free

~~Pb~~

PLUG PCB

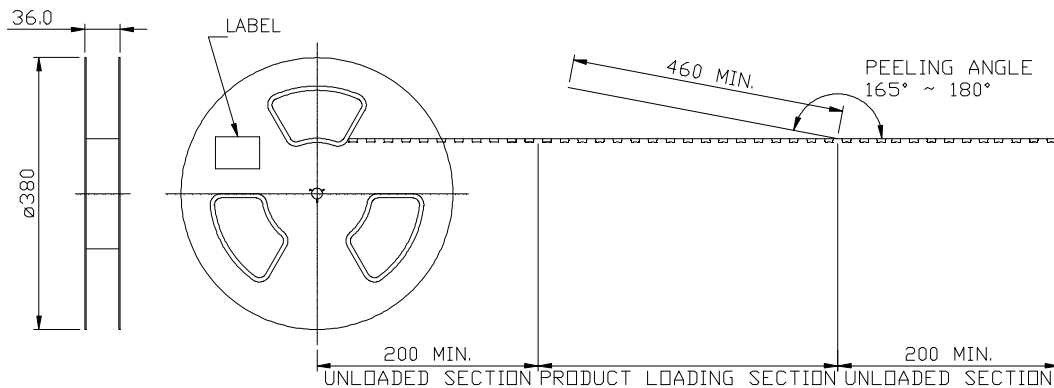


RECOMMENDED PCB LAYOUT
THICKNESS: 1.20 ± 0.05 mm

	dwg no	sheet 2 of 3	size
	10128797		A4
	type Customer Drawing		

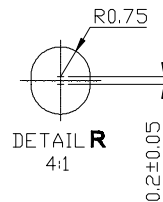
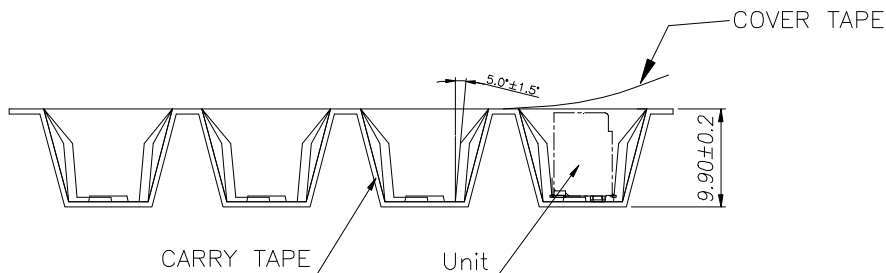
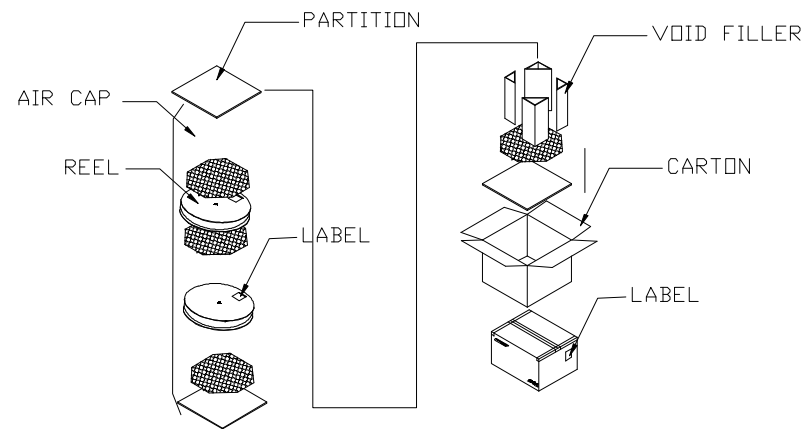
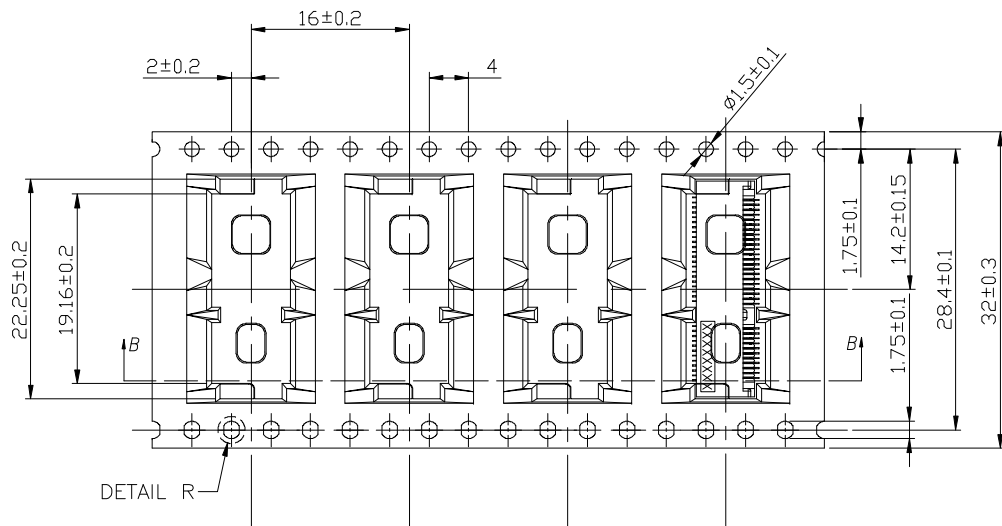
sheet index	revision sheet	B 1	B 2	B 3															
-------------	----------------	-----	-----	-----	--	--	--	--	--	--	--	--	--	--	--	--	--	--	--

HF
Halogen Free



NOTES :

- MATERIAL :
COVER TAPE : ANTISTATIC P.S T=0.05±0.01 ,COLOR:CLEAR
CARRIER TAPE : ANTISTATIC P.S T=0.40±0.10,COLOR:BLACK
REEL : PS UL94V-0
CARTON: CORRUGATED FIBER
- DIMENSION :
REEL : SEE DRAWING
SHIPPING BOX: 385X385X225mm
- QUANTITY : SEE TABLE
- PEELING RESISTANCE : 10gf~130gf (for 12~56mm)
- PEELING SPEED : 300mm/MINUTES



5.35KG	3.525KG	500	5	2500
GROSS WEIGHT	NET WEIGHT	PCS/ REEL	REEL/ CARTON	PCS/ CARTON

FCI dwg no sheet 3 of 3 size
10128797 A4
type Customer Drawing

sheet index	revision sheet	B 1	B 2	B 3															
-------------	----------------	-----	-----	-----	--	--	--	--	--	--	--	--	--	--	--	--	--	--	--

Mouser Electronics

Authorized Distributor

Click to View Pricing, Inventory, Delivery & Lifecycle Information:

[FCI / Amphenol:](#)

[10128797-001RLF](#) [10128797-004RLF](#)